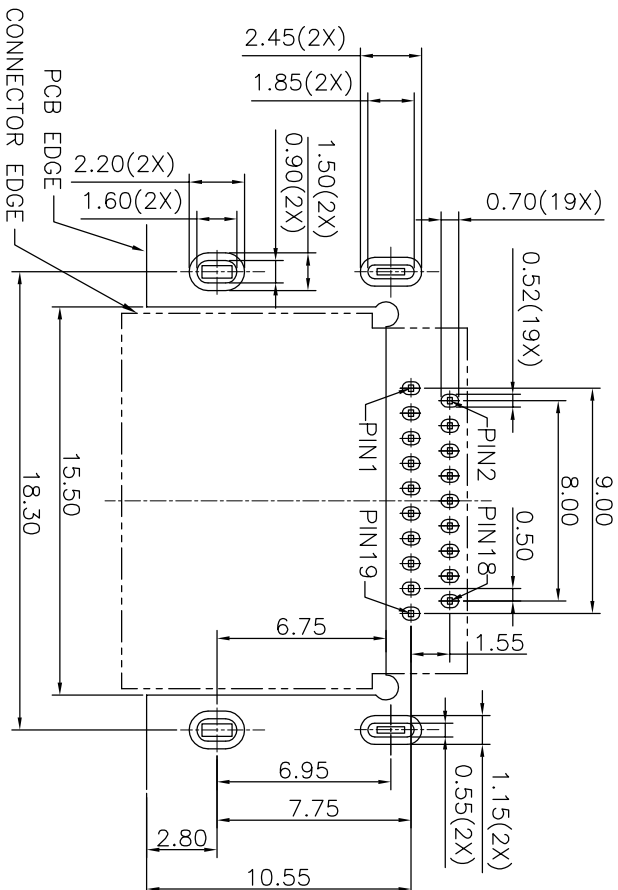
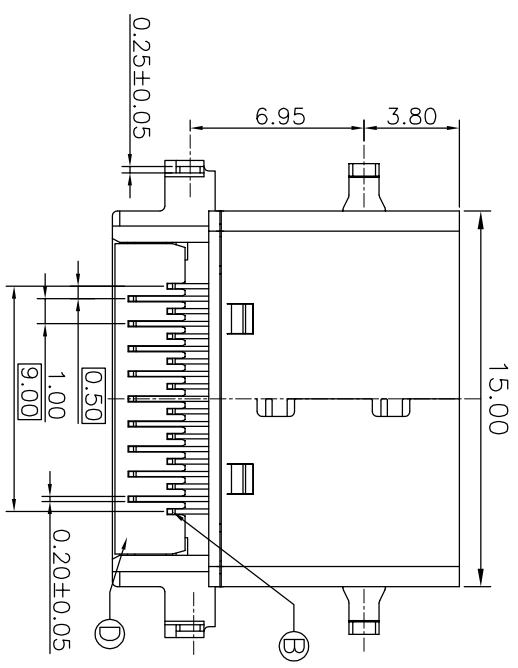
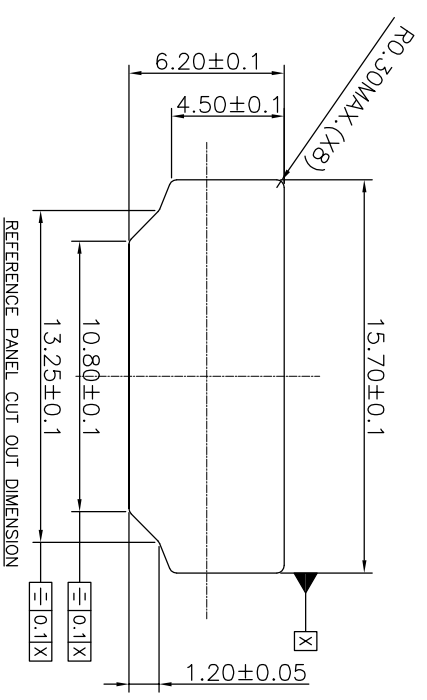
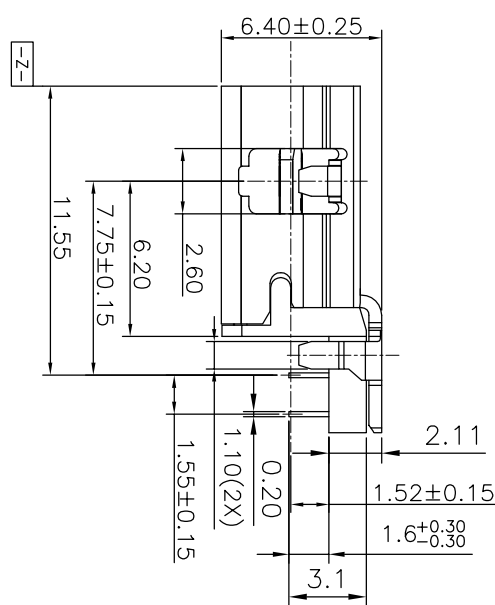
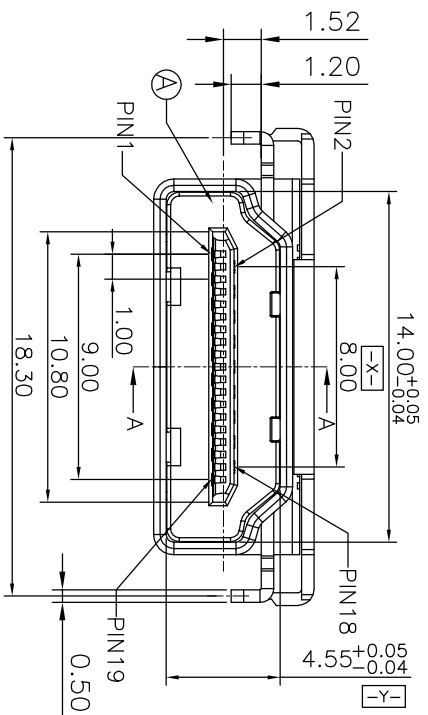
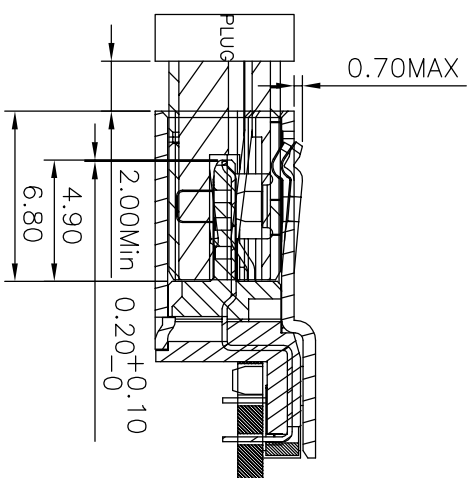
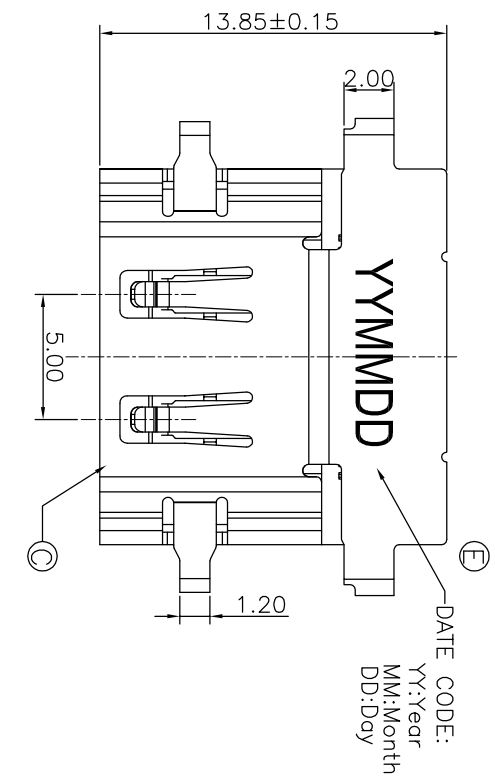


REV.	ECN NO	OR DESCRIPTION	REVISED	DATE
A	PDR RELEASE	Even		2015.01.06



2HE1584-200111F
2: WITHOUT MYLAR
SUFFIX: HALOGEN FREE
PACKAGE
1: TAPE AND REEL
HOUSING COLOR
1: BLACK
CONTACT PLATING
1: GOLD FLASH ON CONTACT AREA, MATTE TIN ON SOLDER AREA

RECOMMENDED P.C.B. LAYOUT (T:1.20±0.05mm)
TOLERANCE UNSPECIFIED ±0.05mm
TOP VIEW

- SPECIFICATIONS:
- ELECTRICAL CHARACTERISTICS:
 - CURRENT RATING: 0.5 AMP.
 - VOLTAGE RATING: 40V.
 - CONTACT RESISTANCE: 30mΩ MAX.
 - INSULATION RESISTANCE: 100MΩ MIN. @ 500V DC.
 - DIELECTRIC WITHSTANDING VOLTAGE: 500V AC FOR 1 MINUTE.
 - MECHANICAL CHARACTERISTICS:
 - INSERTION FORCE: 4.5Kgf MAX.
 - WITHDRAWAL FORCE: 1.0~4.0Kgf.
 - LIFE TEST: 10,000 CYCLES.
 - OTHER GENERAL SPEC. TO REFER "HDMI SERIES SPEC".
 - TO CONFORM TO THE SINGATRON HAZARDOUS SUBSTANCE FREE SPEC.
 - HALOGEN FREE PRODUCT IDENTIFICATION LABEL ON PACKAGING.
 - PACKAGE: SEE "2HE1584-200111F" PACKAGE.
 - FOR REFLOW SOLDERING LEAD-FREE PROCESS.

NO	DESCRIPTION	QTY	MATERIAL	PLATING & COLOR
E	INK	1		BLACK
D	COVER	1	LCP UL 94V-0	BLACK
C	SHELL	1	C2680-H 0.5t	NICKEL
B	CONTACT	19	C2680-H 0.2t	SEE PART NO.
A	HOUSING	1	LCP UL 94V-0	BLACK
NO	DESCRIPTION	QTY	MATERIAL	PLATING & COLOR

UNLESS OTHERWISE SPECIFIED TOLERANCES

DECIMALS: ANGLES:

X : ±0.5 X : ±2°
X.X : ±0.3 X.X : ±1°
X.XX : ±0.2

Singatron Enterprise Co., Ltd.
信音企業股份有限公司

HDMI A TYPE, DIP, REVERSE, SINKING 1.52

Part No. 2HE1584-200111F

SCALE 1:1 UNIT: mm

SIZE: A3 SHEET: 1 OF 1 REV: A