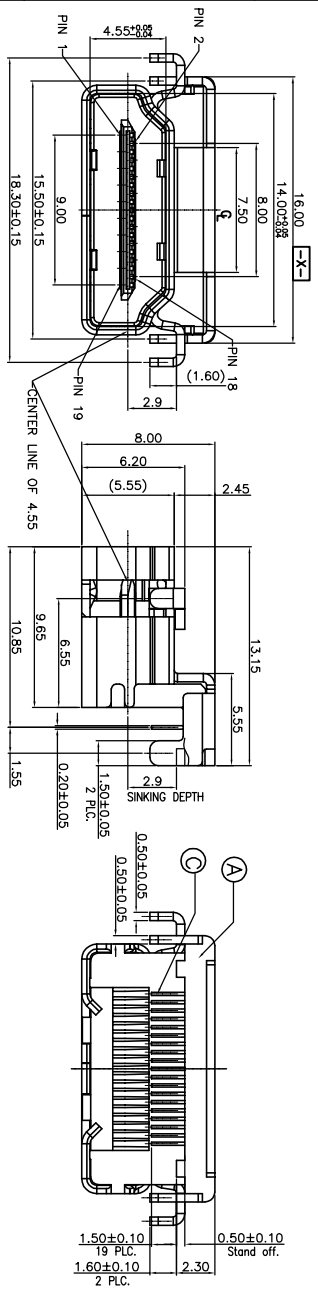


PLUG INSERTION DEPTH

3D VIEW

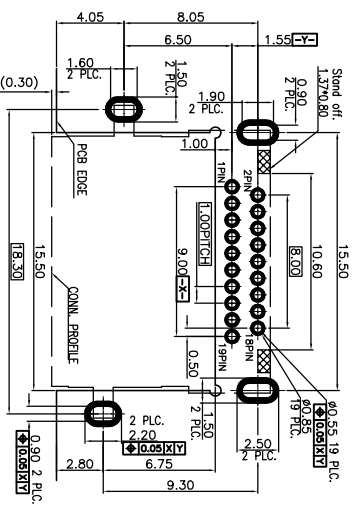
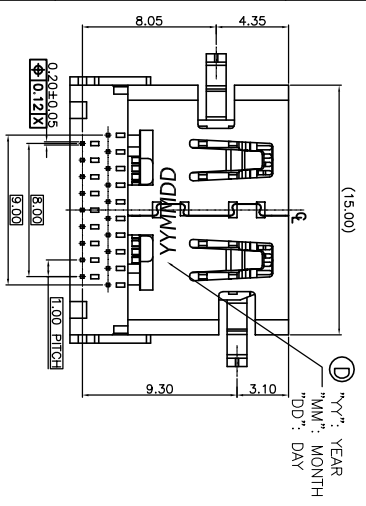
SPECIFICATIONS:

1. ELECTRICAL CHARACTERISTICS:
 - 1-1. CURRENT RATING: 0.5 AMP.
 - 1-2. VOLTAGE RATING: 40V.
 - 1-3. CONTACT RESISTANCE: 30mΩ MAX.
 - 1-4. INSULATION RESISTANCE: 100MΩ MIN. @ 500V DC.
 - 1-5. DIELECTRIC WITHSTANDING VOLTAGE: 500V AC FOR 1 MINUTE.
2. MECHANICAL CHARACTERISTICS:
 - 2-1. INSERTION FORCE: 4.5Kgf MAX.
 - 2-2. WITHDRAWAL FORCE: 1.0~4.0Kgf.
3. LIFE TEST: 10,000 CYCLES.
4. OTHER GENERAL SPEC. TO REFER "HDMI SERIES SPEC."
5. TO CONFORM TO THE SINGATRON HAZARDOUS SUBSTANCE FREE SPEC.
6. HALOGEN FREE PRODUCT IDENTIFICATION LABEL ON PACKAGING.
7. PACKAGE: SEE "2HE1638-012212F" PACKAGE.
8. FOR REFLOW SOLDERING LEAD-FREE PROCESS.



PART NO.
2HE1638-012212F

- SUFFIX: HALOGEN FREE
- PACKAGE
- 2: TAPE AND REEL(PITCH: 20mm)
- HOUSING COLOR
- 1: BLACK
- CONTACT PLATING
- 2: GOLD FLASH PLATING ON CONTACT AREA,
GOLD FLASH PLATING ON SOLDER AREA
- WITHOUT NYLAR
- 1: PIN LENGTH 1.6mm



RECOMMENDED PCB LAYOUT(TOP VIEW)
(THICKNESS=1.2±0.05mm)
(TOLERANCE=±0.05mm)

D	INK	-	BLACK
C	CONTACT	19	COPPER ALLOY SEE PART NO.
B	SHELL	1	STAINLESS STEEL NICKEL
A	HOUSING	1	HIGH TEMP THERMOPLASTIC UL 94V-0 BLACK
NO	DESCRIPTION	QTY	MATERIAL
UNLESS OTHERWISE SPECIFIED TOLERANCES			

Singatron Enterprise Co., Ltd.
信亨企業股份有限公司

TITLE	HDMI A TYPE FEMALE, REVERSE, DIP, CH=2.9		
DRAWN	HW-C 2014.05.15	PART NO.	2HE1638-012212F
CHKD	SCALE: 2.5:1	UNIT:	mm
APVD	ANGEL: 40°(45.15)	SIZE:	A3
		SHEET:	1 OF 1
		REV:	A
CUSTOMER COPY			