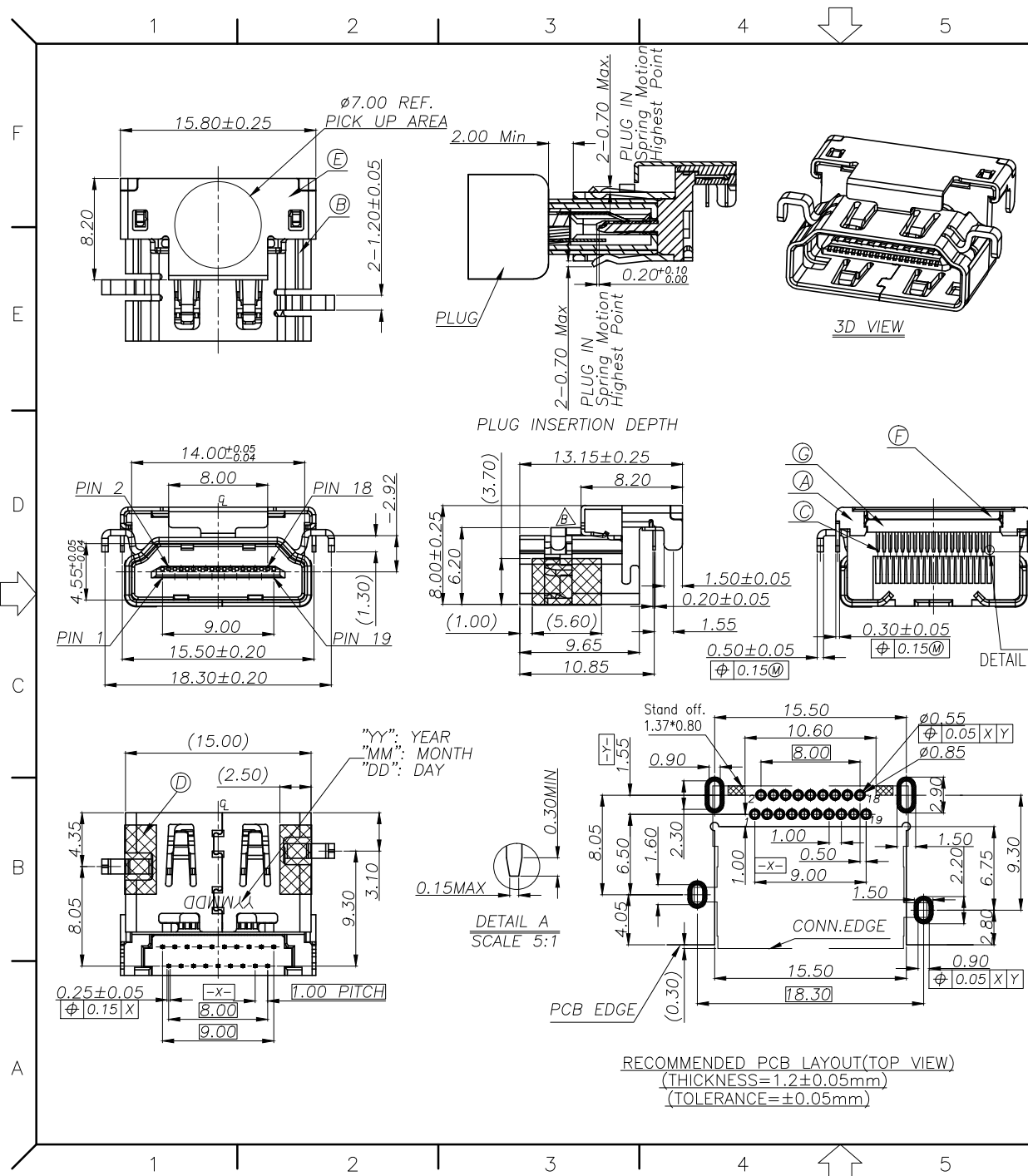


REV.	ECN NO OR DESCRIPTION	REVISED	DATE
A	PDR NO:T141117-9A/9B	Anne	2015.01.14
B	ECN NO:S170546-C	YUREN	2017.8.11



SPECIFICATIONS:

- ELECTRICAL CHARACTERISTICS:**
 - CURRENT RATING: 0.5 AMP.
 - VOLTAGE RATING: 40V.
 - CONTACT RESISTANCE: 30mΩ MAX.
 - INSULATION RESISTANCE: 100MΩ MIN. @ 500V DC.
 - DIELECTRIC WITHSTANDING VOLTAGE: 500V AC FOR 1 MINUTE.
- MECHANICAL CHARACTERISTICS:**
 - INSERTION FORCE: 4.5Kgf MAX.
 - WITHDRAWAL FORCE: 1.0~4.0Kgf.
- LIFE TEST: 10,000 CYCLES.
- OTHER GENERAL SPEC. TO REFER "HDMI SERIES SPEC".
- TO CONFORM TO THE SINGATRON HAZARDOUS SUBSTANCE FREE SPEC.
- HALOGEN FREE PRODUCT IDENTIFICATION LABEL ON PACKAGING:
- PACKAGE: SEE "2HE1638 SERIES" PACKAGE.
- FOR REFLOW SOLDERING LEAD-FREE PROCESS.
- ⊗ REPRESENT CRITICAL DIMENSIONS.

PART NO.
2HE1638-041X11F

- SUFFIX: HALOGEN FREE
- PACKAGE: 1: TAPE AND REEL
- HOUSING COLOR: 1: BLACK
- CONTACT PLATING: 2: GOLD FLASH PLATING ON CONTACT AREA, GOLD FLASH ON SOLDER AREA, 3: 30u" GOLD PLATING ON CONTACT AREA, GOLD FLASH ON SOLDER AREA

H	INK	-	BLACK
G	BOTTOM COVER	1	LCP UL 94V-0 BLACK
F	TOP COVER	1	LCP UL 94V-0 BLACK
E	REAR SHELL	1	STAINLESS STEEL NICKEL
D	MYLAR	2	KAPTON FILM YELLOW
C	CONTACT	19	BRASS 30u"Au ON CONTACT AREA G/F ON SOLDER AREA
B	FRONT SHELL	1	STAINLESS STEEL NICKEL
A	HOUSING	1	LCP UL 94V-0 BLACK
NO	DESCRIPTION	QTY	MATERIAL PLATING & COLOR
UNLESS OTHERWISE SPECIFIED TOLERANCES		Singatron Enterprise Co., Ltd. 信音企業股份有限公司	
DECIMALS:	ANGLES:	TITLE: HDMI A TYPE FEMALE, REVERSE, DIP, CH=-2.92	
X :±0.5	X :±2°	DWN	YUREN PART NO. 2HE1638-041X11F
X.X :±0.3	X.X :±1°	CHKD	CERRY SCALE 3:1 UNIT: mm
X.XX :±0.2		APVD	LIAO SIZE: A3 SHEET:1 OF 1 REV:B
CUSTOMER COPY			