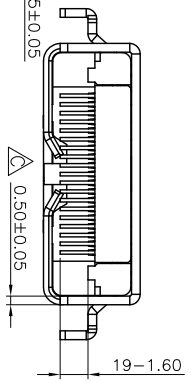
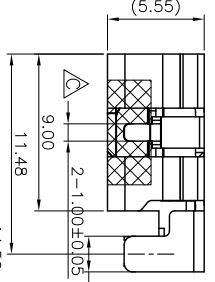
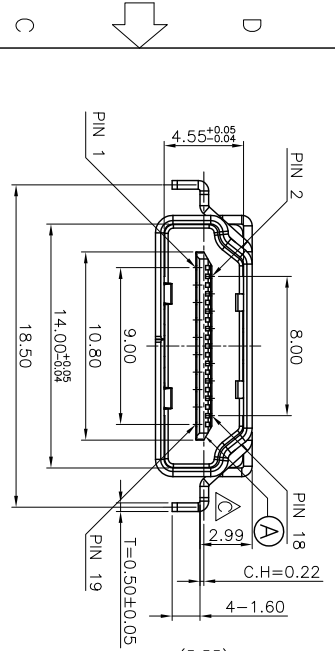


3D VIEW

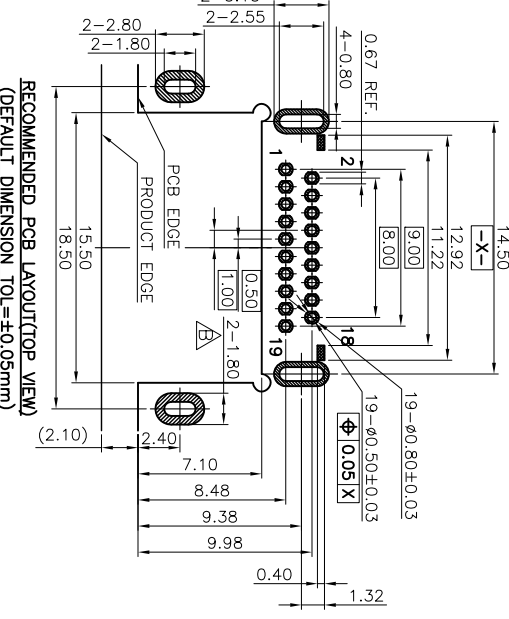
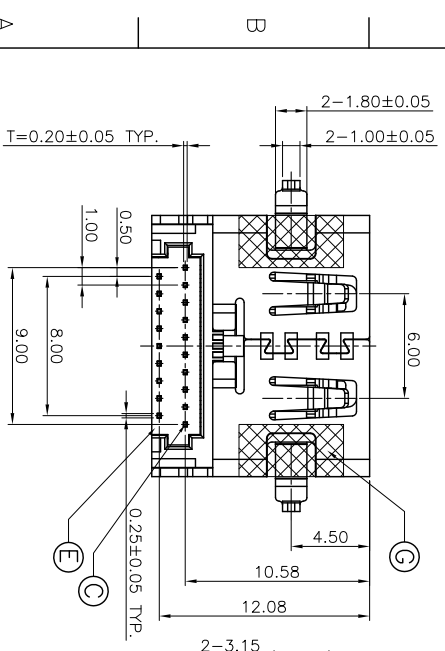


PART NO.
2HE1657-00011IF

SUFFIX: HALOGEN FREE
PACKAGE
1: TAPE & REEL
HOUSING COLOR
1: BLACK
CONTACT PLATING
1: GOLD FLASH ON CONTACT AREA,
MATE TIN ON SOLDER AREA.

SPECIFICATIONS:

1. ELECTRICAL CHARACTERISTICS:
 - 1-1. CURRENT RATING: 0.5 AMP.
 - 1-2. VOLTAGE RATING: 40V.
 - 1-3. INITIAL CONTACT RESISTANCE EXCLUDING CONDUCTOR RESISTANCE: 10mΩ MAX. (TARGET DESIGN VALUE). AFTER TEST: Δ 30mΩ MAX.
 - 1-4. INSULATION RESISTANCE: 100MΩ MIN. @ 500V DC.
 - 1-5. DIELECTRIC WITHSTANDING VOLTAGE: 500V AC FOR 1 MINUTE.
2. MECHANICAL CHARACTERISTICS:
 - 2-1. INSERTION FORCE: 4.5Kgf MAX.
 - 2-2. WITHDRAWAL FORCE: 1.0~4.0Kgf.
 3. LIFE TEST: 10,000 CYCLES.
4. OTHER GENERAL SPEC. TO REFER "HDMI SERIES SPEC".
5. TO CONFORM TO THE SINGATRON HAZARDOUS SUBSTANCE FREE SPEC.
6. HALOGEN FREE PRODUCT IDENTIFICATION LABEL ON PACKAGING.
7. PACKAGE: SEE "2HE1657 SERIES" PACKAGE.
8. FOR REFLOW SOLDERING LEAD-FREE PROCESS.



RECOMMENDED PCB LAYOUT(TOP VIEW)
(DEFAULT DIMENSION TOL=±0.05mm)
(THICKNESS=1.2±0.10mm)
"X" STAND-OFF AREA

REV.	ECN NO OR DESCRIPTION	REVISED	DATE
A	PDR RELEASE	WY-C	2013.02.21
B	ECN NO.:L130135	WY-C	2013.12.12
C	ECN NO.:L150104	WY-C	2015.08.24

NO	DESCRIPTION	QTY	MATERIAL	PLATING & COLOR
G	MYLAR	2	POLYIMIDE FILM	YELLOW
F	INK	-		BLACK
E	BOTTOM COVER	1	HIGH TEMP.THERMOPLASTIC , UL 94V-0	BLACK
D	TOP COVER	1	HIGH TEMP.THERMOPLASTIC , UL 94V-0	BLACK
C	CONTACT	19	COPPER ALLOY	SFE PART NO.
B	SHELL	1	STAINLESS STEEL	NICKEL
A	HOUSING	1	HIGH TEMP.THERMOPLASTIC , UL 94V-0	BLACK
NO	DESCRIPTION	QTY	MATERIAL	PLATING & COLOR

UNLESS OTHERWISE SPECIFIED TOLERANCES
 Singatron Enterprise Co., Ltd.
 信音企業股份有限公司

DECIMALS:	ANGLES:
X : ±0.5	X : ±2°
X.X : ±0.3	X.X : ±1°
X.XX : ±0.2	

TITLE	HDMI A TYPE FEMALE, REVERSE, DIP, C.H=0.22mm
DWN	W-C-2015.08.24 PART NO. 2HE1657-00011IF
CHKD	MNGR 2015.08.24 SCALE:3.3:1 UNIT: mm
APVD	MNGR 2015.08.24 SIZE: A3 SHEET: 1 OF 1 REV: C

CUSTOMER COPY