


REV.	ECN NO OR DESCRIPTION	REVISED	DATE
A	ECN NO:L130127 2HE1664-01X111F → 2HE1664-011111F	Even	2013.11.11
B	ECN NO:L150049	IVY-C	2015.04.01
C	ECN NO:L150056	IVY-C	2015.04.22

SPECIFICATIONS:

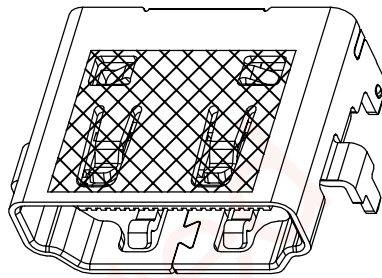
- ELECTRICAL CHARACTERISTICS:
 - CURRENT RATING: 0.5 AMP.
 - VOLTAGE RATING: 40V.
 - INITIAL CONTACT RESISTANCE EXCLUDING CONDUCTOR RESISTANCE: 10mΩ MAX. (TARGET DESIGN VALUE). AFTER TEST: Δ 30mΩ MAX.
 - INSULATION RESISTANCE: 100MΩ MIN. @ 500V DC.
 - DIELECTRIC WITHSTANDING VOLTAGE: 500V AC FOR 1 MINUTE.
- MECHANICAL CHARACTERISTICS:
 - INSERTION FORCE: 4.5Kgf MAX.
 - WITHDRAWAL FORCE: 1.0~4.0Kgf.
- LIFE TEST: 10,000 CYCLES.
- OTHER GENERAL SPEC. TO REFER "HDMI SERIES SPEC".
- TO CONFORM TO THE SINGATRON HAZARDOUS SUBSTANCE FREE SPEC.
- HALOGEN FREE PRODUCT IDENTIFICATION LABEL ON PACKAGING: 
- PACKAGE: SEE "2HE1664-011111F" PACKAGE.
- FOR REFLOW SOLDERING LEAD-FREE PROCESS.

PART NO.
2HE1664-011111F

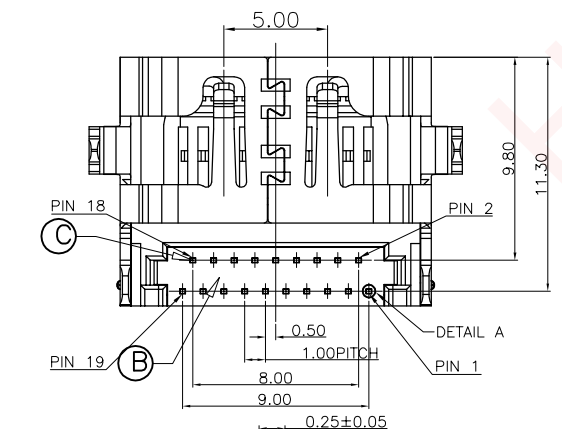
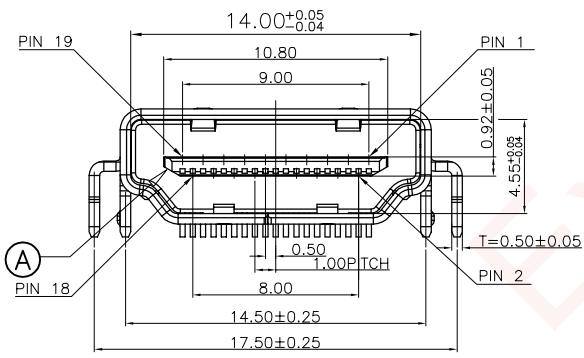
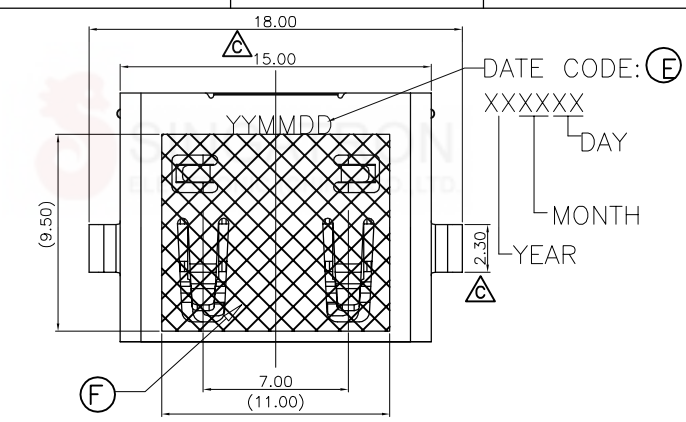
- 1: CH 1.6mm
- TAIL LENGTH 1: 1.80mm
- SUFFIX: HALOGEN FREE
- PACKAGE 1: TAPE AND REEL
- HOUSING COLOR 1: BLACK
- CONTACT PLATING 1: GOLD FLASH ON CONTACT AREA AND GOLD FLASH OVER NICKEL ON SOLDER TAILS.

NO	DESCRIPTION	QTY	MATERIAL	PLATING & COLOR
F	MYLAR	1		
E	INK			BLACK COLOR
D	SHELL	1	STAINLESS STEEL	NICKEL PLATING
C	CONTACT	19	COPPER ALLOY	GOLD FLASH
B	BOTTOM COVER	1	HIGH TEMPERATURE UL 94V-0	BLACK COLOR
A	HOUSING	1	HIGH TEMPERATURE UL 94V-0	BLACK COLOR

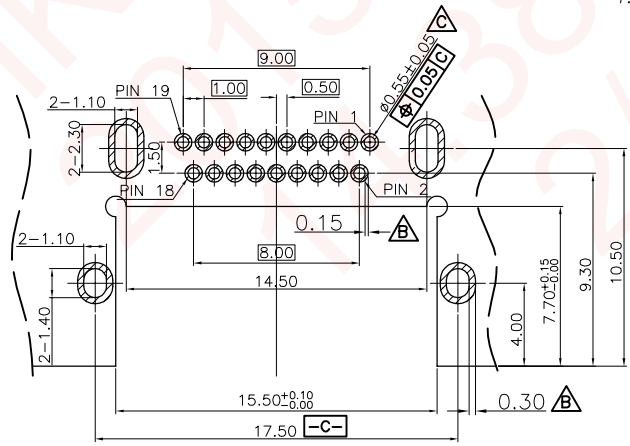
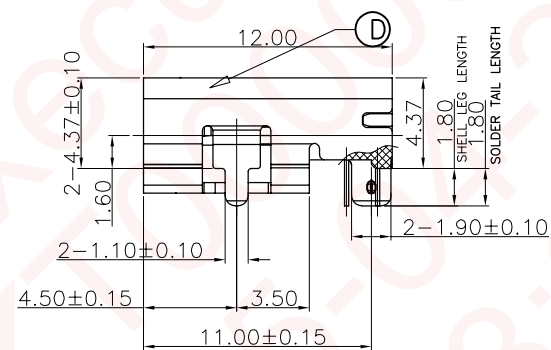
UNLESS OTHERWISE SPECIFIED TOLERANCES		Singatron Enterprise Co., Ltd. 信音企業股份有限公司	
DECIMALS:	ANGLES:	TITLE	HDMI A TYPE FEMALE, DIP, SINKING TYPE, C.H.=1.60mm
X : ±0.5	X : ±2°	DWN	IVY-C 2015.04.22 PART NO. 2HE1664-011111F
X.X : ±0.3	X.X : ±1°	CHKD	ANGELA2015.04.22 SCALE: 4/1 UNIT: mm
X.XX : ±0.2		APVD	ANGELA2015.04.22 SIZE: A3 SHEET: 1 OF 1 REV: C
CUSTOMER COPY			



3D VIEW



DETAIL A
SCALE 5:1



RECOMMENDED PCB LAYOUT(TOP VIEW)
(THICKNESS=1.2±0.10mm)
(TOLERANCE=±0.05mm)