

REV.	ECN NO OR DESCRIPTION	REVISED	DATE
B	PDR RELEASE	EVEN	2017.08.10

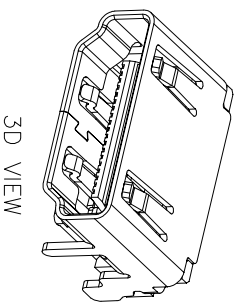
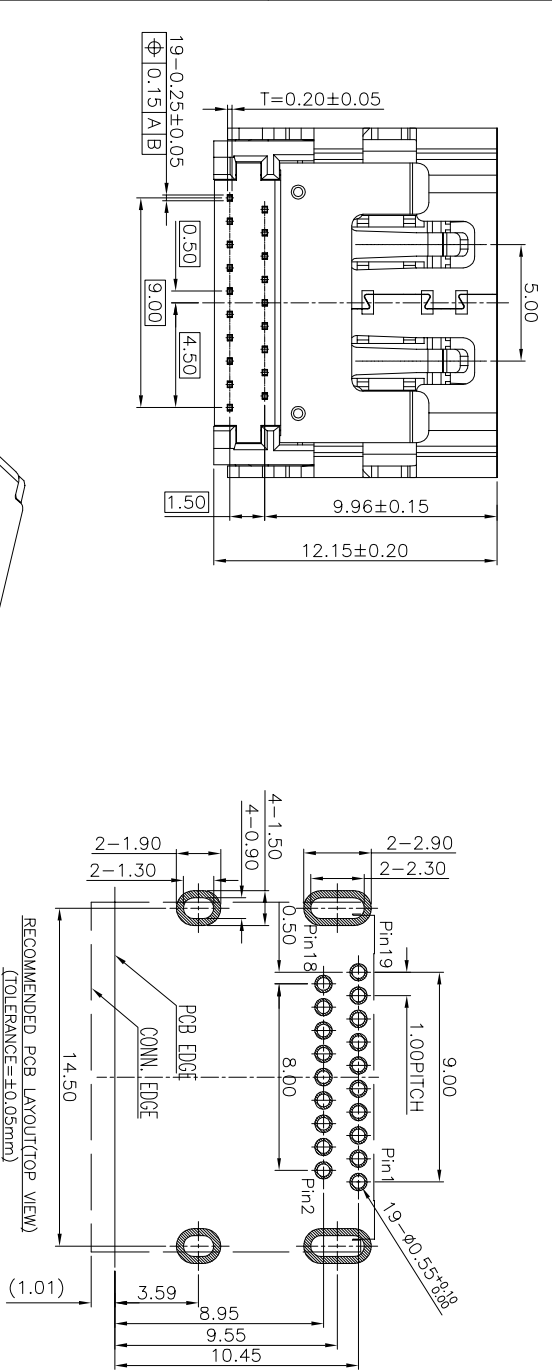
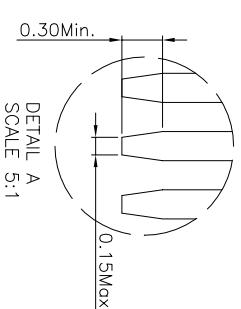
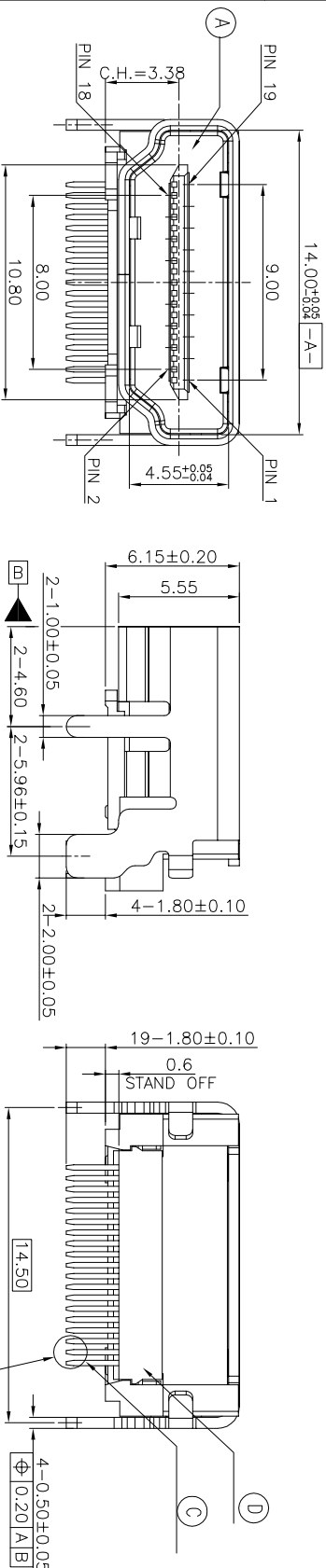
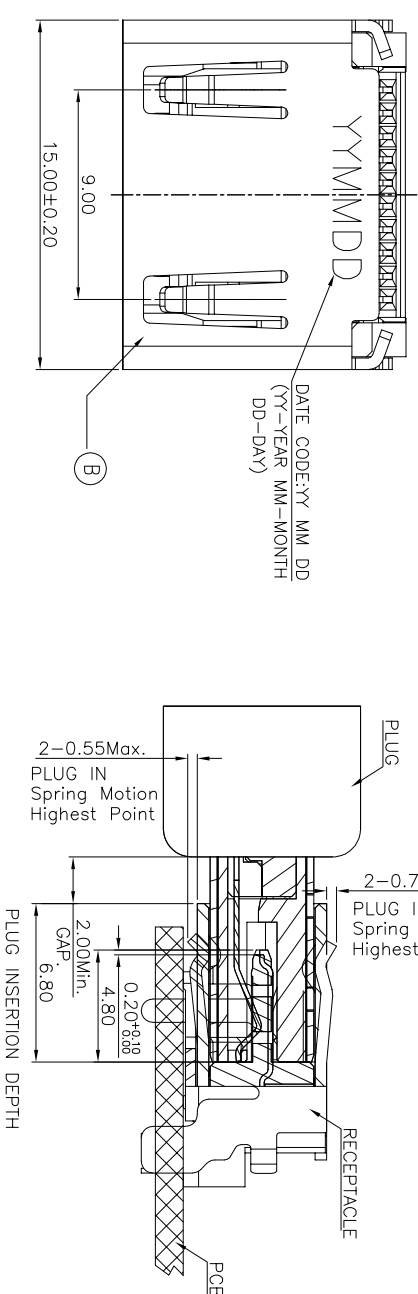
SPECIFICATIONS:

- ELECTRICAL CHARACTERISTICS:
 - CURRENT RATING: 0.5 AMP.
 - VOLTAGE RATING: 40V.
 - INITIAL CONTACT RESISTANCE EXCLUDING CONDUCTOR RESISTANCE: 10mΩ MAX (TARGET DESIGN VALUE). AFTER TEST: Δ 30mΩ MAX.
 - INSULATION RESISTANCE: 100MΩ MIN. @ 500V DC.
 - DIELECTRIC WITHSTANDING VOLTAGE: 500V AC FOR 1 MINUTE.
- MECHANICAL CHARACTERISTICS:
 - INSERTION FORCE: 4.5kgf MAX.
 - WITHDRAWAL FORCE: 1.0~4.0kgf.
- LIFE TEST: 10,000 CYCLES.
- OTHER GENERAL SPEC. TO REFER "HDMI SERIES SPEC".
- TO CONFORM TO THE SINGATRON HAZARDOUS SUBSTANCE FREE SPEC.
- HALOGEN FREE PRODUCT IDENTIFICATION LABEL ON PACKAGING.
- PACKAGE: SEE "2HE1673-021X11F" PACKAGE.
- FOR REFLOW SOLDERING LEAD-FREE PROCESS.



PART NO.
2HE1673-021X11F

- SUFFIX: HALOGEN FREE
- PACKAGE
- 1: TAPE AND REEL
- HOUSING COLOR
- 1: BLACK
- CONTACT PLATING
- 1: GOLD FLASH ON CONTACT AREA, MATTE TIN ON SOLDER AREA, NICKEL UNDERPLATED OVERALL.
- 3: 30u" GOLD ON CONTACT AREA, MATTE TIN ON SOLDER AREA, NICKEL UNDERPLATED OVERALL.



3D VIEW

NO	DESCRIPTION	QTY	MATERIAL	PLATING & COLOR
D	COVER	1	LCP UL 94V-0	BLACK
C	CONTACT	19	C2680-H	SEE PART NO.
B	SHELL	1	SUS304	NICKEL
A	HOUSING	1	LCP UL 94V-0	BLACK

Singatron Enterprise Co., Ltd.
信音企業股份有限公司

UNLESS OTHERWISE SPECIFIED TOLERANCES			
DECIMALS:	ANGLES:	TITLE HDMI A TYPE FEMALE, SINKING, DIP TYPE, C.H=3.38mm	
X : ±0.5	X : ±2°	DWN	EEN 2017.08.10
X.X : ±0.3	X.X : ±1°	CHKD	ANGEL2017.08.10
X.XX : ±0.2		APVD	ANGEL2017.08.10

PART NO. **2HE1673-021X11F**

SCALE 4:1 UNIT: mm SHEET: 1 OF 1 REV: B

CUSTOMER COPY

