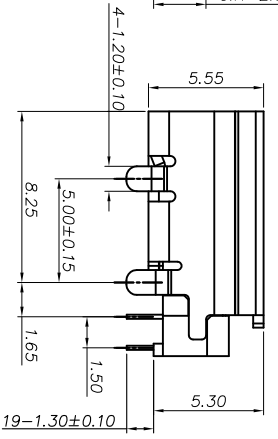
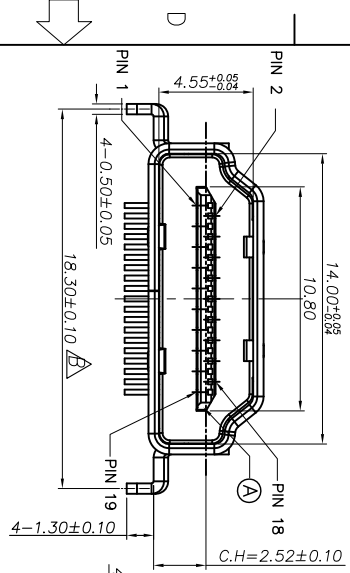
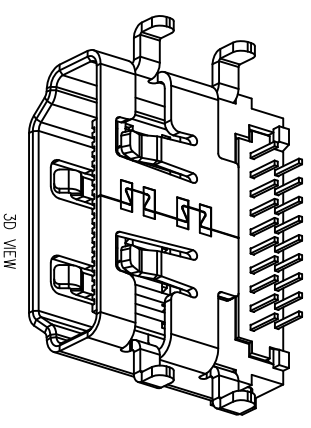
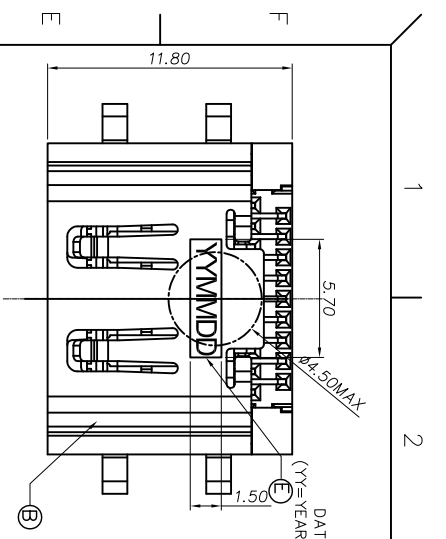


DATE CORP.: YYMMDD
(YY=YEAR; MM=MONTH; DD=DAY)



HDMI TYPE A PIN ASSIGNMENT	
PIN	Signal Assignment
1	TMDS Datab+
2	TMDS Datab2 Shield
3	TMDS Datab-
4	TMDS Datab+
5	TMDS Datab-
6	TMDS Datab+
7	TMDS Datab-
8	TMDS Datab Shield
9	TMDS Datab-
10	TMDS Clock+
11	TMDS Clock Shield
12	TMDS Clock-
13	CEC
14	Reserved (I.C. on device)
15	SCL
16	SDA
17	D0C/CEC Ground
18	+5V Power
19	Hot Plug Detect

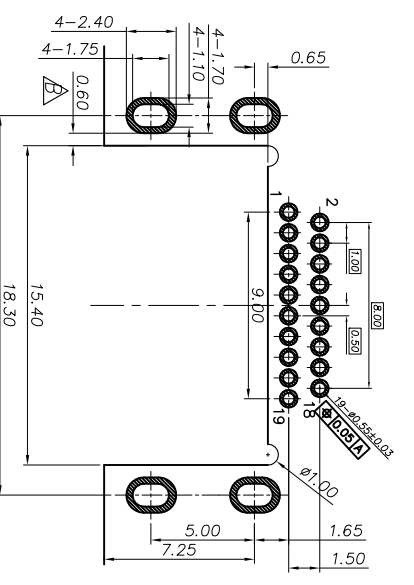
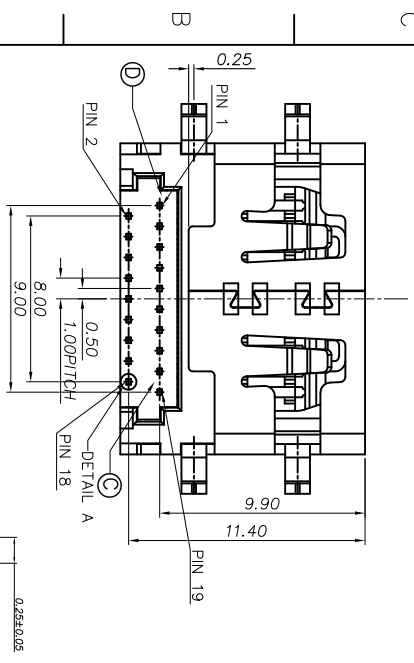
SPECIFICATIONS:

- ELECTRICAL CHARACTERISTICS:
 - CURRENT RATING: 0.5 AMP.
 - VOLTAGE RATING: 40V.
 - INITIAL CONTACT RESISTANCE EXCLUDING CONDUCTOR RESISTANCE: 10mΩ MAX (TARGET DESIGN VALUE). AFTER TEST: Δ 30mΩ MAX.
 - INSULATION RESISTANCE: 100MΩ MIN. @ 500V DC.
 - DIELECTRIC WITHSTANDING VOLTAGE: 500V AC FOR 1 MINUTE.
- MECHANICAL CHARACTERISTICS:
 - INSERTION FORCE: 4.5kgf MAX.
 - WITHDRAWAL FORCE: 1.0~4.0kgf.
- LIFE TEST: 10,000 CYCLES.
- OTHER GENERAL SPEC. TO REFER "HDMI SERIES SPEC".
- TO CONFORM TO THE SINGATRON HAZARDOUS SUBSTANCE FREE SPEC.
- HALOGEN FREE PRODUCT IDENTIFICATION LABEL ON PACKAGING.
- PACKAGE: SEE "ZHE1674 SERIES" PACKAGE.
- FOR REFLOW SOLDERING LEAD-FREE PROCESS.

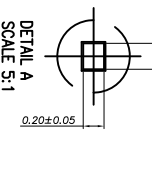
PART NO.

ZHE1674-000111F

- SUFFIX: HALOGEN FREE
- PACKAGE
- 1: TAPE AND REEL
- HOUSING COLOR
- 1: BLACK
- CONTACT PLATING
- 1: GOLD FLASH ON CONTACT AREA, GOLD FLASH ON SOLDER AREA, NICKEL UNDERPLATED OVERALL.



RECOMMENDED PCB LAYOUT(TOP VIEW)
(THICKNESS=1.2±0.10mm)
(TOLERANCE=±0.03mm)



REV	ECN NO	OR DESCRIPTION	REVISED	DATE
A		PDR RELEASE	IVY-C	2013.02.21
B		ECN NO: L150025	IVY-C	2015.02.16

E	INK			BLACK
D	BOTTOM COVER	1	LCP UL 94V-0	BLACK
C	CONTACT	19	C2680	SEE PART NO.
B	SHELL	1	SUS 304	NICKEL
A	HOUSING	1	LCP UL 94V-0	BLACK
NO	DESCRIPTION	QTY	MATERIAL	PLATING & COLOR
UNLESS OTHERWISE SPECIFIED TOLERANCES				
DECIMALS: ANGLES: : ±0.5 X : ±2° X X : ±0.3 X X : ±1° X XX : ±0.2				
TITLE: HDMI A TYPE FEMALE, REVERSE, SINKING, R/A, DIP, CH=2.52mm				
DWG: IVC-C-2015.02.16 PART NO. ZHE1674-000111F				
CHKD: ANEHA 2015.02.16 SCALE: 4:1 UNIT: mm				
APVD: ANEHA 2015.02.16 SIZE: A3 SHEET: 1 OF 1 REV: B				
CUSTOMER COPY				

Singatron Enterprise Co., Ltd.
信亨企業股份有限公司