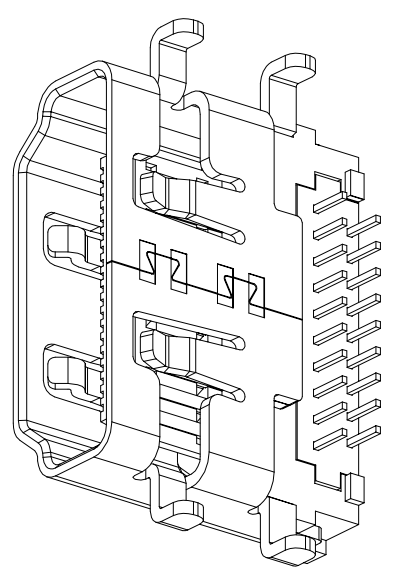


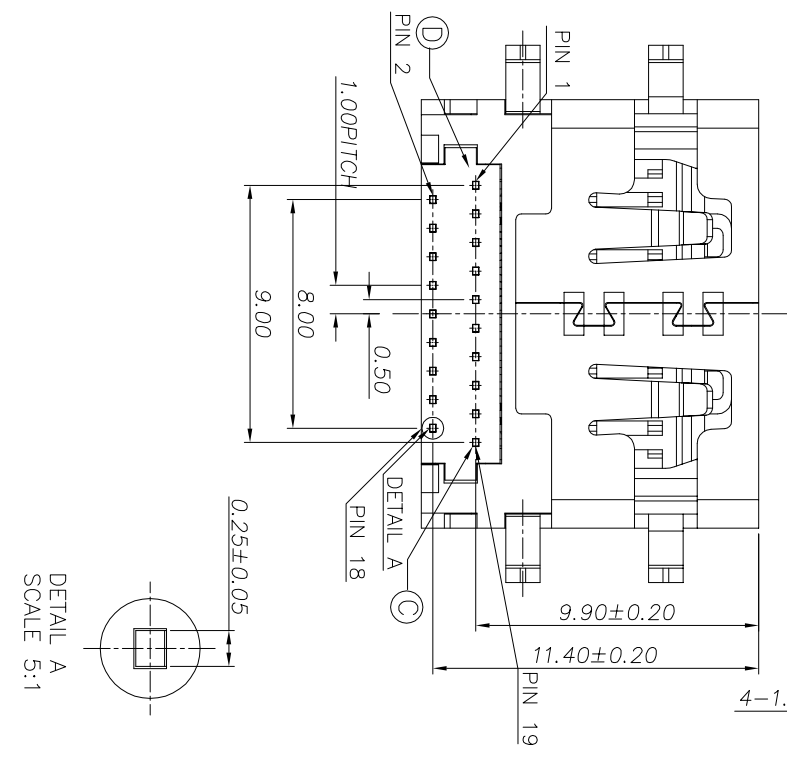
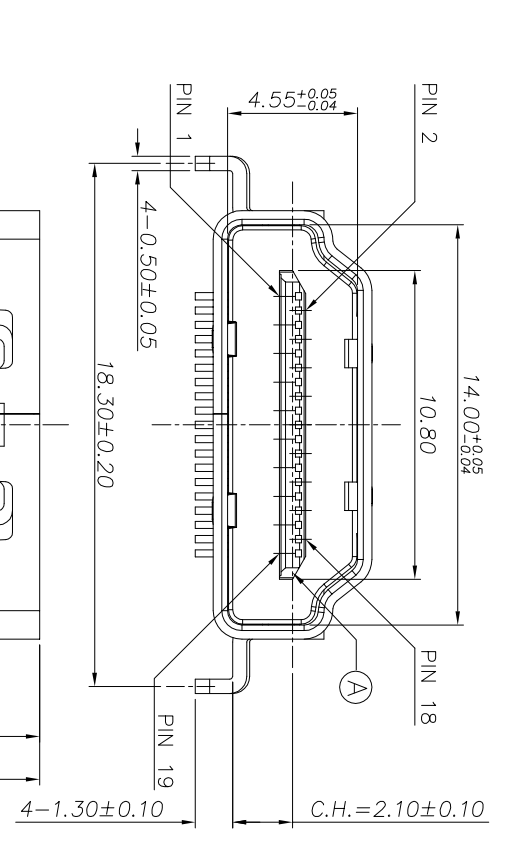
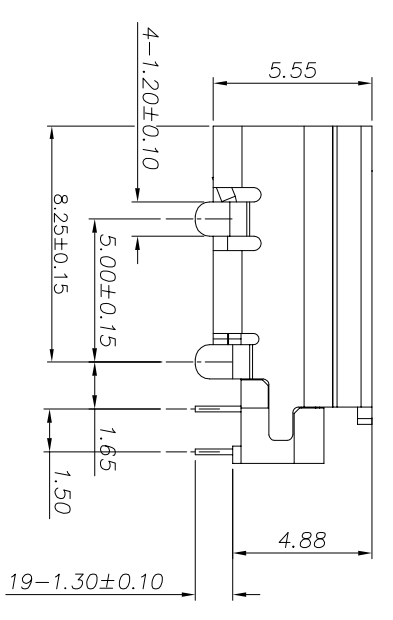
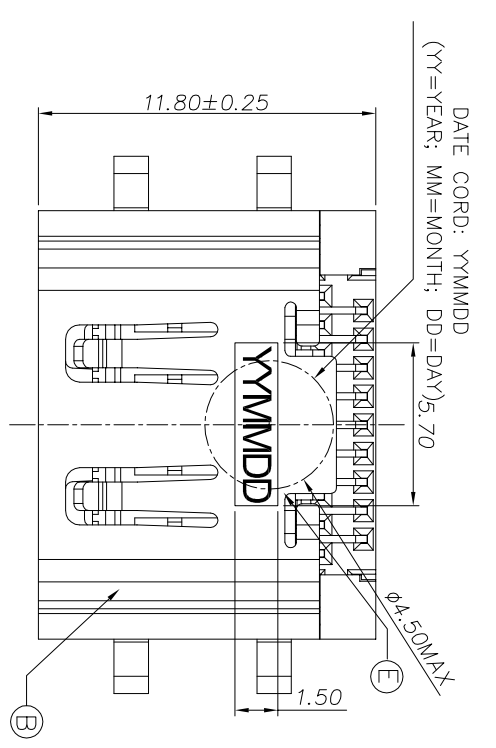
REV.	ECN NO OR DESCRIPTION	REVISED	DATE
A	PDR RELEASE	EVEN	2017.11.08

SPECIFICATIONS:

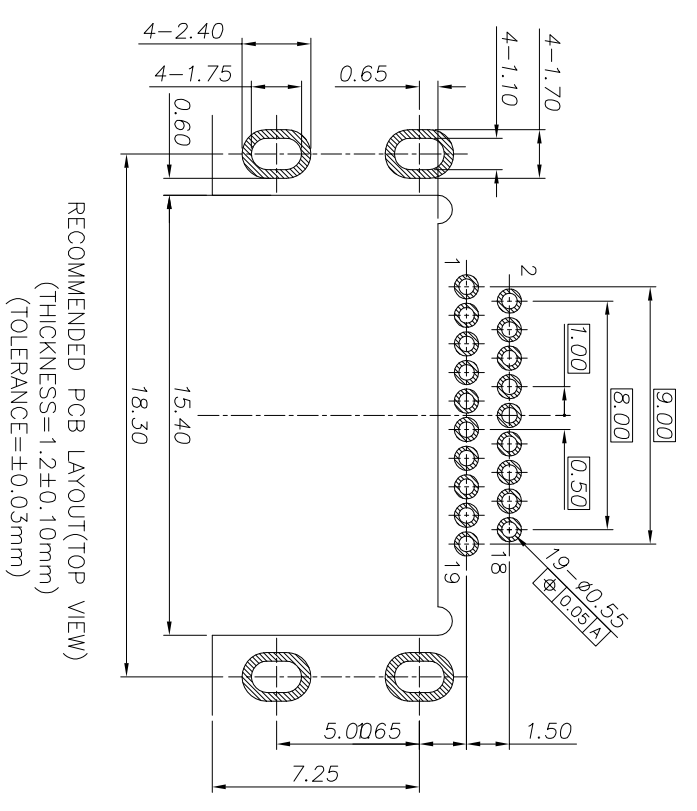
- ELECTRICAL CHARACTERISTICS:**
 - CURRENT RATING: 0.5 AMP.
 - VOLTAGE RATING: 40V.
 - INITIAL CONTACT RESISTANCE EXCLUDING CONDUCTOR RESISTANCE: 10mΩ MAX (TARGET DESIGN VALUE). AFTER TEST: Δ 30mΩ MAX.
 - INSULATION RESISTANCE: 100MΩ MIN. @ 500V DC.
 - DIELECTRIC WITHSTANDING VOLTAGE: 500V AC FOR 1 MINUTE.
- MECHANICAL CHARACTERISTICS:**
 - INSERTION FORCE: 4.5kgf MAX.
 - WITHDRAWAL FORCE: 1.0~4.0kgf.
- LIFE TEST: 10,000 CYCLES.
- OTHER GENERAL SPEC. TO REFER "HDMI SERIES SPEC".
- TO CONFORM TO THE SINGATRON HAZARDOUS SUBSTANCE FREE SPEC.
- HALOGEN FREE PRODUCT IDENTIFICATION LABEL ON PACKAGING:
- PACKAGE: SEE "2HE1674-200111F" PACKAGE.
- FOR REFLOW SOLDERING LEAD-FREE PROCESS.



3D VIEW



DETAIL A
SCALE 5:1



RECOMMENDED PCB LAYOUT(TOP VIEW)
(THICKNESS=1.2±0.10mm)
(TOLERANCE=±0.03mm)

PART NO.
2HE1674-200111F

SUFFIX: HALOGEN FREE
PACKAGE
1: TAPE AND REEL
HOUSING COLOR
1: BLACK
CONTACT PLATING
1: GOLD FLASH ON CONTACT AREA,
GOLD FLASH ON SOLDER AREA,
NICKEL UNDERPLATED OVERALL.

NO	DESCRIPTION	QTY	MATERIAL	PLATING & COLOR
E	INK			BLACK
D	BOTTOM COVER	1	HIGH TEMP. THERMOPLASTIC UL 94V-0	BLACK
C	CONTACT	19	COPPER ALLOY	SEE PART NO.
B	SHELL	1	STAINLESS STEEL	NICKEL
A	HOUSING	1	HIGH TEMP. THERMOPLASTIC UL 94V-0	BLACK
NO	DESCRIPTION	QTY	MATERIAL	PLATING & COLOR

UNLESS OTHERWISE SPECIFIED TOLERANCES

DECIMALS: ANGLES:

X : ±0.5 X : ±2°
X.X : ±0.3 X.X : ±1°
X.XX : ±0.2

Singatron Enterprise Co., Ltd.
 信音企業股份有限公司

TITLE: HDMI A TYPE FEMALE, REVERSE, SINKING, R/A, DIP, C.H=2.1mm

DWN: EN 2017.11.08 PART NO. 2HE1674-200111F

CHKD: ANGEL2017.11.08 SCALE 4:1 UNIT: mm

APVD: ANGEL2017.11.08 SIZE: A3 SHEET: 1 OF 1 REV:A

CUSTOMER COPY