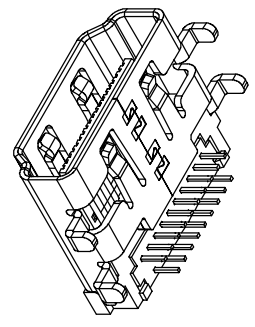
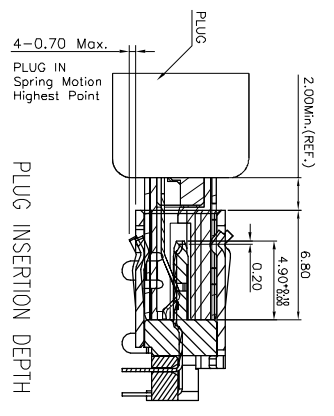
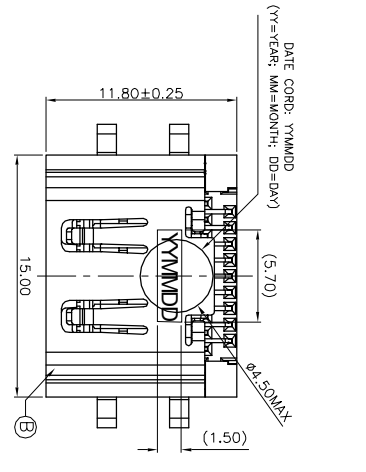
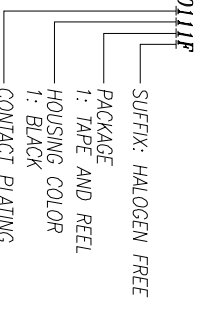
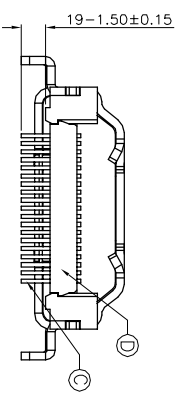
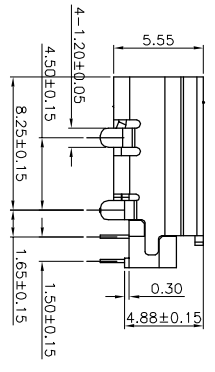
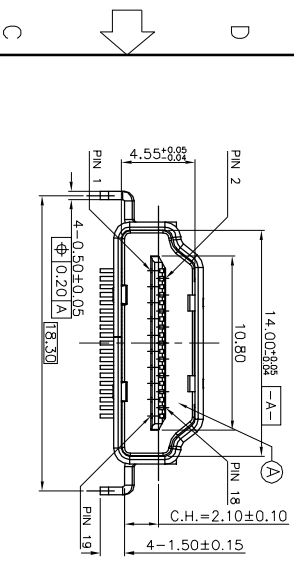


REV	ECN NO OR DESCRIPTION	REVISED	DATE
A	PDR NO: T180612-34	Qizhen	2018.09.14

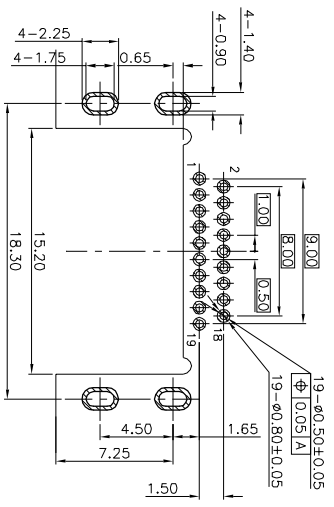
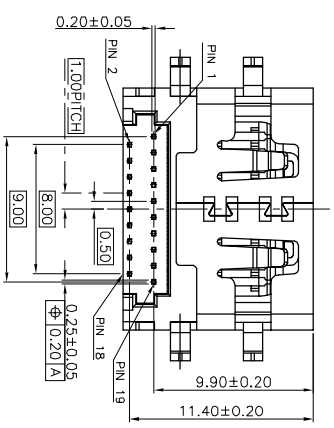


3D VIEW

- SPECIFICATIONS: (HDMI A TYPE)
- ELECTRICAL CHARACTERISTICS:
 - ELECTRICAL RATING: 0.5 AMP.
 - CURRENT RATING: 0.5 AMP.
 - VOLTAGE RATING: 40V.
 - INITIAL CONTACT RESISTANCE EXCLUDING CONDUCTOR RESISTANCE: 10mΩ MAX. (TARGET DESIGN VALUE) AFTER TEST: Δ30mΩ MAX.
 - INSULATION RESISTANCE: 100MΩ MIN. @ 500V DC.
 - DIELECTRIC WITHSTANDING VOLTAGE: 500V AC FOR 1 MINUTE.
 - MECHANICAL CHARACTERISTICS:
 - INSERTION FORCE: 4.5kgf MAX.
 - WITHDRAWAL FORCE: 1.0~4.0kgf.
 - LIFE TEST: 10,000 CYCLES.
 - OTHER GENERAL SPEC. TO REFER "HDMI SERIES SPEC."
 - TO CONFORM TO THE SINGATRON HAZARDOUS SUBSTANCE FREE SPEC.
 - HALOGEN FREE PRODUCT IDENTIFICATION LABEL ON PACKAGING.
 - PACKAGE: SEE "2HE1674-300111F" PACKAGE.
 - FOR REFLOW SOLDERING LEAD-FREE PROCESS.



CONTACT PLATING
 1: GOLD FLASH ON CONTACT AREA
 60u~150u" MATTE TIN ON SOLDER AREA
 50~100u" NICKEL UNDERPLATE OVER ALL.



RECOMMENDED PCB LAYOUT(TOP VIEW)
 (THICKNESS=1.2±0.10mm)
 (TOLERANCE=±0.03mm)

NO	DESCRIPTION	QTY	MATERIAL	PLATING & COLOR
D	COVER	1	LCP E130: UL94V-0	BLACK
C	CONTACT	19	C2680-H 0.2t	SEE PART NO.
B	SHELL	1	SUS304-H 0.5t	NICKEL
A	HOUSING	1	LCP E130: UL94V-0	BLACK
NO	DESCRIPTION	QTY	MATERIAL	PLATING & COLOR

UNLESS OTHERWISE SPECIFIED TOLERANCES
 Singatron Enterprise Co., Ltd.
 信音企業股份有限公司

DECIMALS:	ANGLES:
X :±0.5	X :±2°
X.X :±0.3	X.X :±1°
X.XX :±0.2	

TITLE	HDMI A TYPE FEMALE, REVERSE, SINKING, CH=-0.75mm
DWN	Qizhen
CHKD	SCALE3:7:1 UNIT: mm
APVD	SIZE: A3 SHEET: 1 OF 1 REV: A

CUSTOMER COPY