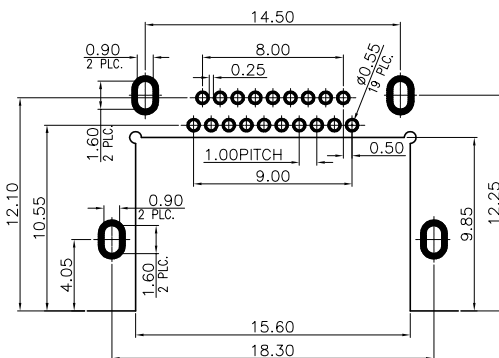
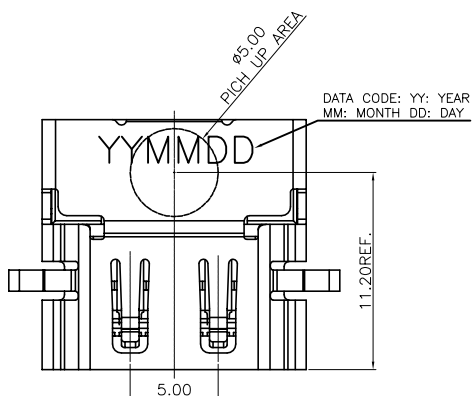


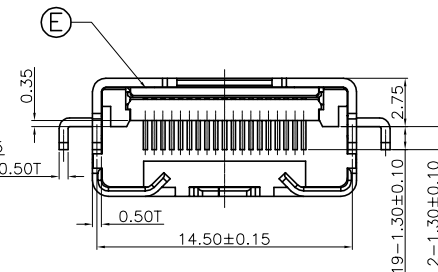
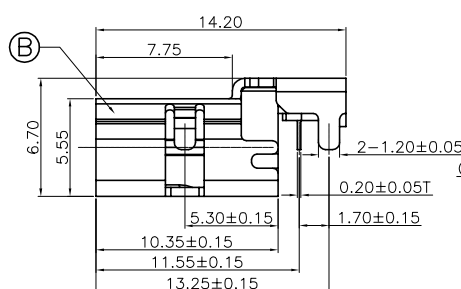
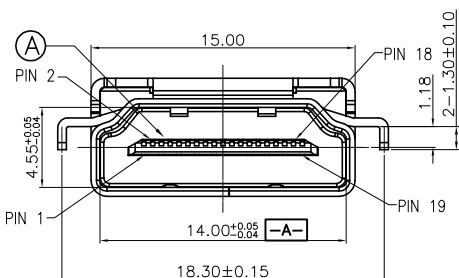
REV.	ECN NO OR DESCRIPTION	REVISED	DATE
A	PDR RELEASE	IVY-C	2016.07.01



RECOMMENDED PCB LAYOUT(TOP VIEW)
(THICKNESS=1.0±0.10mm)
(TOLERANCE=±0.05mm)

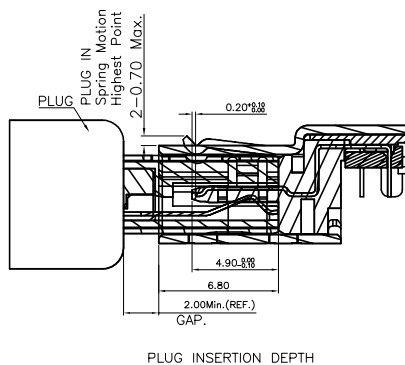
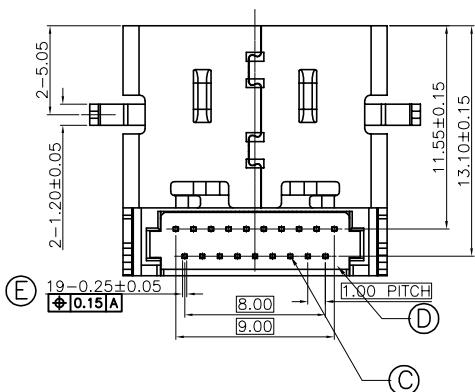
SPECIFICATIONS:

- ELECTRICAL CHARACTERISTICS:**
 - CURRENT RATING: 0.5 AMP.
 - VOLTAGE RATING: 40V.
 - INITIAL CONTACT RESISTANCE EXCLUDING CONDUCTOR RESISTANCE: 10mΩ MAX (TARGET DESIGN VALUE). AFTER TEST: Δ30mΩ MAX.
 - INSULATION RESISTANCE: 100MΩ MIN. @ 500V DC.
 - DIELECTRIC WITHSTANDING VOLTAGE: 500V AC FOR 1 MINUTE.
- MECHANICAL CHARACTERISTICS:**
 - INSERTION FORCE: 4.5Kgf MAX.
 - WITHDRAWAL FORCE: 1.0~4.0Kgf.
- LIFE TEST: 10,000 CYCLES.**
- OTHER GENERAL SPEC. TO REFER "HDMI SERIES SPEC".**
- TO CONFORM TO THE SINGATRON HAZARDOUS SUBSTANCE FREE SPEC.**
- HALOGEN FREE PRODUCT IDENTIFICATION LABEL ON PACKAGING:**
- PACKAGE: SEE "2HE1683-001111F" PACKAGE.**
- FOR REFLOW SOLDERING LEAD-FREE PROCESS.**



PART NO.
2HE1683-001111F

- SUFFIX: HALOGEN FREE
- PACKAGE: 1: TAPE AND REEL
- HOUSING COLOR: 1: BLACK
- CONTACT PLATING: 1: GOLD FLASH ON CONTACT AREA, MATTE TIN ON SOLDER AREA.



NO	DESCRIPTION	QTY	MATERIAL	PLATING & COLOR
E	TOP COVER	1	LCP UL 94V-0	BLACK
D	BOTTOM COVER	1	LCP UL 94V0	BLACK
C	CONTACT	19	C2680-H	SEE PART NO.
B	SHELL	1	SUS 304-1/4H	NICKEL PLATED
A	HOUSING	1	LCP UL 94V-0	BLACK
UNLESS OTHERWISE SPECIFIED TOLERANCES		Singatron Enterprise Co., Ltd. 信音企業股份有限公司		
DECIMALS: ANGLES:		TITLE: HDMI A TYPE FEMALE, REVERSE, DIP, C.H=-1.18mm		
X : ±0.5	X : ±2°	DWN	IVY-C 2016.07.01	PART NO. 2HE1683-001111F
X.X : ±0.3	X.X : ±1°	CHKD	ANGELA2016.07.01	SCALE: 3.3:1 UNIT: mm
X.XX : ±0.2		APVD	ANGELA2016.07.01	SIZE: A3 SHEET: 1 OF 1 REV: A
CUSTOMER COPY				