


DATE CORD: YYMMDD
(YY=YEAR; MM=MONTH; DD=DAY)

SPECIFICATIONS:


| REV. | ECN NO OR DESCRIPTION | REVISED | DATE |
|------|-----------------------|---------|------------|
| A | PDR RELEASE | EVEN | 2018.03.21 |

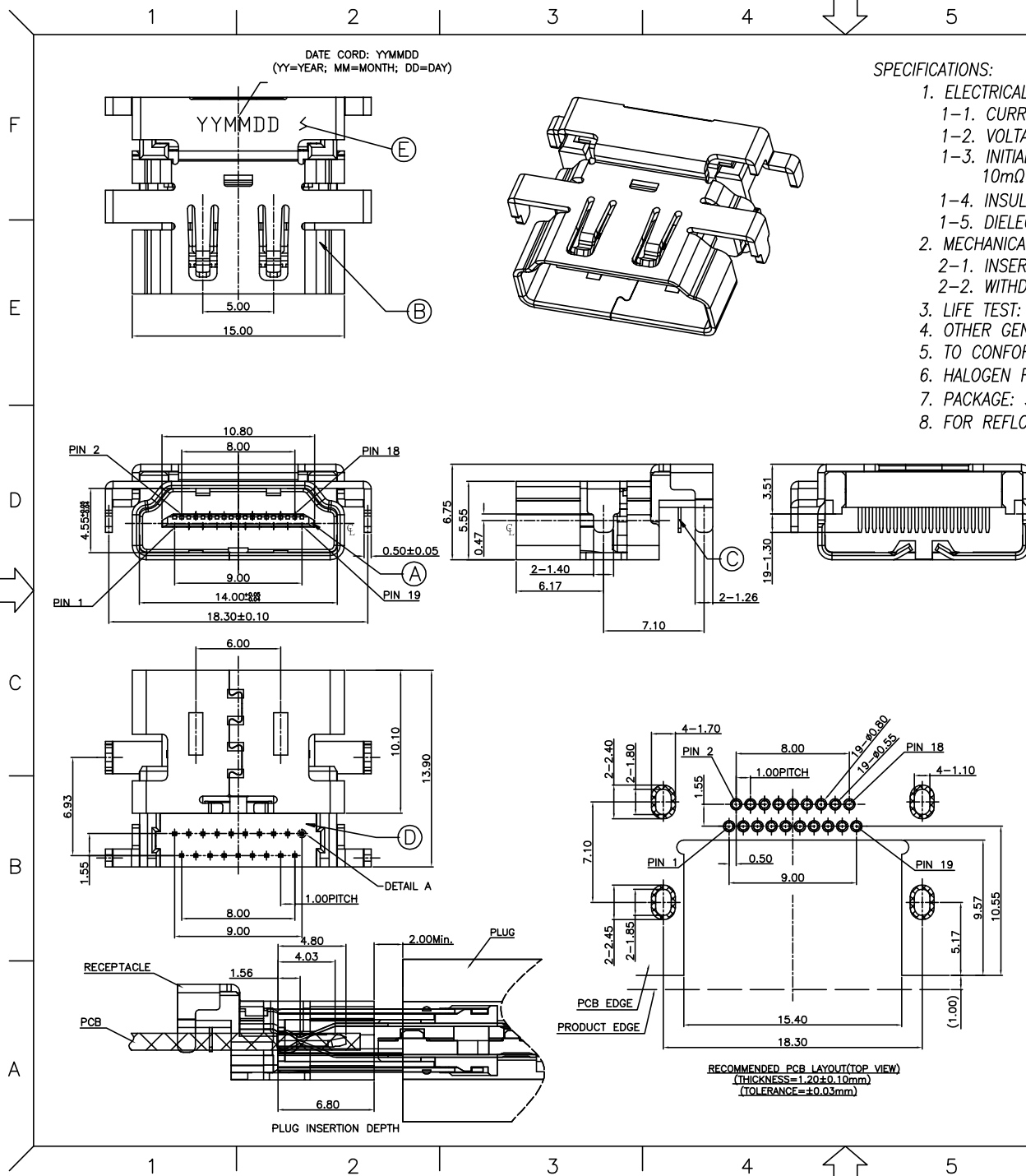
- ELECTRICAL CHARACTERISTICS:
 - CURRENT RATING: 0.5 AMP.
 - VOLTAGE RATING: 40V.
 - INITIAL CONTACT RESISTANCE EXCLUDING CONDUCTOR RESISTANCE: 10mΩ MAX (TARGET DESIGN VALUE). AFTER TEST: Δ 30mΩ MAX.
 - INSULATION RESISTANCE: 100MΩ MIN. @ 500V DC.
 - DIELECTRIC WITHSTANDING VOLTAGE: 500V AC FOR 1 MINUTE.
- MECHANICAL CHARACTERISTICS:
 - INSERTION FORCE: 4.5Kgf MAX.
 - WITHDRAWAL FORCE: 1.0~4.0Kgf.
- LIFE TEST: 10,000 CYCLES.
- OTHER GENERAL SPEC. TO REFER "HDMI SERIES SPEC".
- TO CONFORM TO THE SINGATRON HAZARDOUS SUBSTANCE FREE SPEC.
- HALOGEN FREE PRODUCT IDENTIFICATION LABEL ON PACKAGING: 
- PACKAGE: SEE "2HE1687-000211F" PACKAGE.
- FOR REFLOW SOLDERING LEAD-FREE PROCESS.

PART NO.
2HE1687-000211F

- SUFFIX: HALOGEN FREE
- PACKAGE: 1: TAPE AND REEL
- HOUSING COLOR: 1: BLACK
- CONTACT PLATING: 2: 30u" GOLD ON CONTACT AREA, GOLD FLASH ON SOLDER AREA.

| E | TOP COVER | 1 | LCP UL 94V-0 | BLACK |
|---|--------------|----|--------------|---------------|
| D | BOTTOM COVER | 1 | LCP UL 94V-0 | BLACK |
| C | CONTACT | 19 | C2680 | SEE PART NO. |
| B | SHELL | 1 | SUS304 | NICKEL PLATED |
| A | HOUSING | 1 | LCP UL 94V-0 | BLACK |

| NO | DESCRIPTION | QTY | MATERIAL | PLATING & COLOR |
|---------------------------------------|-------------|---|--|-------------------------------|
| | | |  Singatron Enterprise Co., Ltd. 信音企業股份有限公司 | |
| UNLESS OTHERWISE SPECIFIED TOLERANCES | | | | |
| DECIMALS: | ANGLES: | TITLE HDMI A TYPE FEMALE, REVERSE, SINKING, C.H=-0.47mm | | |
| X :±0.5 | X :±2° | DWN | EVEN 2018.03.21 | PART NO. 2HE1687-000211F |
| X.X :±0.3 | X.X :±1° | CHKD | ANGELA2018.03.21 | SCALE 3.3:1 UNIT: mm |
| X.XX :±0.2 | | APVD | ANGELA2018.03.21 | SIZE: A3 SHEET: 1 OF 1 REV: A |
| CUSTOMER COPY | | | | |



RECOMMENDED PCB LAYOUT(TOP VIEW)
(THICKNESS=1.20±0.10mm)
(TOLERANCE=±0.03mm)