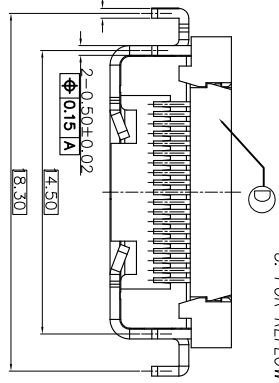
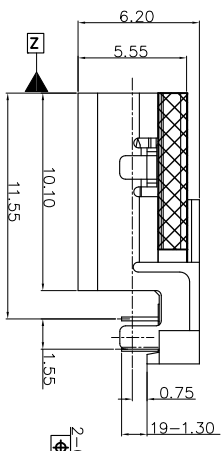
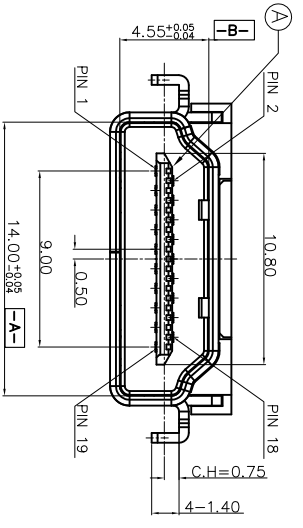
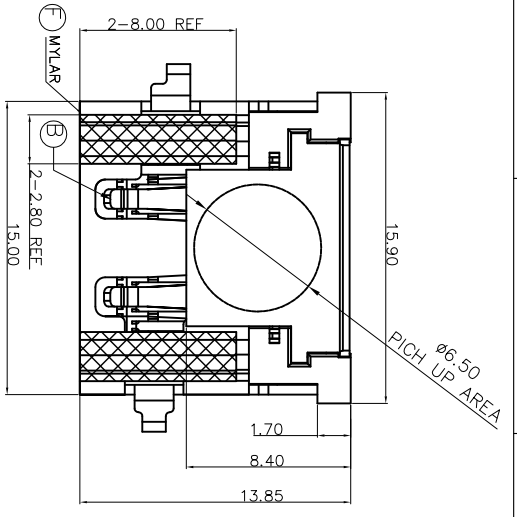
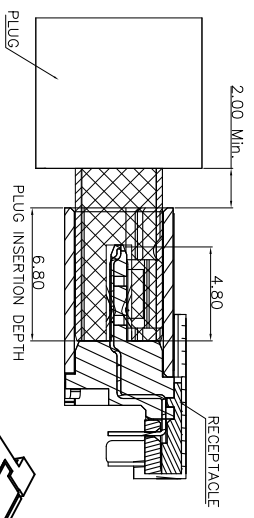


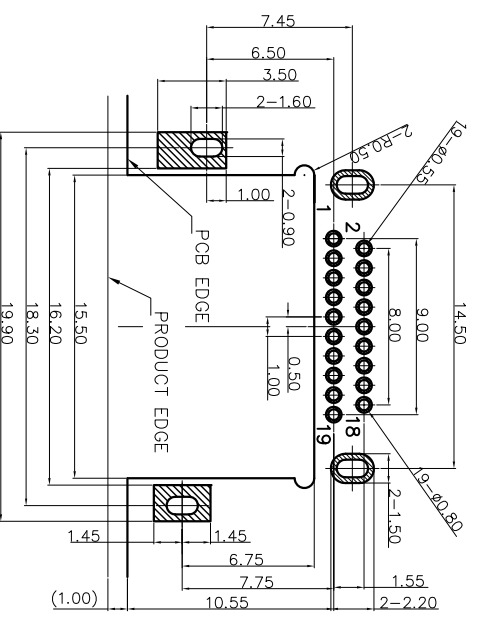
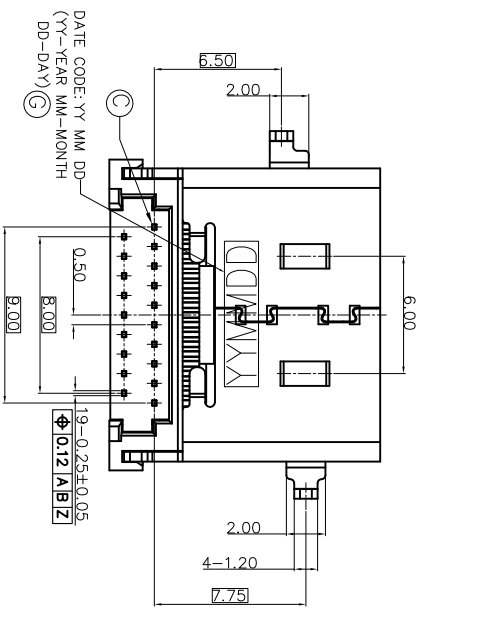
REV.	ECN NO. OR DESCRIPTION	REVISED	DATE
A	PDR RELEASE	IVY-C	2013.09.16

- SPECIFICATIONS: (HDMI A TYPE)
1. ELECTRICAL CHARACTERISTICS:
- 1-1: CURRENT RATING: 0.5 AMP.
 - 1-2: VOLTAGE RATING: 40V.
 - 1-3: INITIAL CONTACT RESISTANCE EXCLUDING CONDUCTOR RESISTANCE: 10mΩ MAX. (TARGET DESIGN VALUE). AFTER TEST: Δ 30mΩ MAX.
 - 1-4: INSULATION RESISTANCE: 100MΩ MIN. @ 500V DC.
 - 1-5: DIELECTRIC WITHSTANDING VOLTAGE: 500V AC FOR 1 MINUTE.
2. MECHANICAL CHARACTERISTICS:
- 2-1: INSERTION FORCE: 4.5kgf MAX.
 - 2-2: WITHDRAWAL FORCE: 1.0~4.0kgf.
3. LIFE TEST: 10,000 CYCLES.
4. OTHER GENERAL SPEC. TO REFER "HDMI SERIES SPEC."
5. TO CONFORM TO THE SINGATRON HAZARDOUS SUBSTANCE FREE SPEC.
6. HALOGEN FREE PRODUCT IDENTIFICATION LABEL ON PACKAGING.
7. PACKAGE: SEE "2HE1689-010111F" PACKAGE.
8. FOR REFLOW SOLDERING LEAD-FREE PROCESS.



PART NO.
2HE1689-010111F

- SUFFIX: HALOGEN FREE
- PACKAGE
- 1: TAPE AND REEL
- HOUSING COLOR
- 1: BLACK
- CONTACT PLATING
- 1: 5u" GOLD PLATING ON CONTACT AREA,
- MATTE TIN ON SOLDER AREA
- NICKEL UNDERPLATED OVERALL
- TAILS LENGTH
- 1: Shell : 1.40mm / Contact : 1.30mm



RECOMMENDED PCB LAYOUT(TOP VIEW)
(DEFAULT DIMENSION TOL=±0.05mm)
(THICKNESS=1.0±0.10mm)

NO	DESCRIPTION	QTY	MATERIAL	PLATING & COLOR
A	HOUSING	1	HIGH TEMP. THERMOPLASTIC UL 94V-0	NICKEL
B	SHELL	1	STAINLESS STEEL	NICKEL
C	CONTACT	19	COPPER ALLOY	SEE PART NO.
D	TOP COVER	1	HIGH TEMP. THERMOPLASTIC UL 94V-0	BLACK
E	BOTTOM COVER	1	HIGH TEMP. THERMOPLASTIC UL 94V-0	BLACK
F	MYLAR	2	POLYIMIDE FILM	YELLOW
G	INK	2	POLYIMIDE FILM	BLACK

UNLESS OTHERWISE SPECIFIED TOLERANCES

DECIMALS: ANGLES:

X : ±0.5 X : ±2°

X.X : ±0.3 X.X : ±1'

X.XX : ±0.2

Singatron Enterprise Co., Ltd.
信音企業股份有限公司

TITLE HDMI A TYPE FEMALE, REVERSE, SINKING, C.H=-0.75mm

DWN W-C 2013.09.16 PART NO. 2HE1689-010111F

CHKD SCALE 3.7:1 UNIT: mm

APVD INK 2013.09.16 SIZE: A3 SHEET: 1 OF 1 REV: A

CUSTOMER COPY