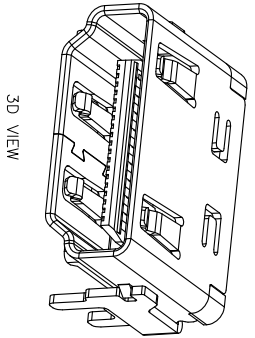
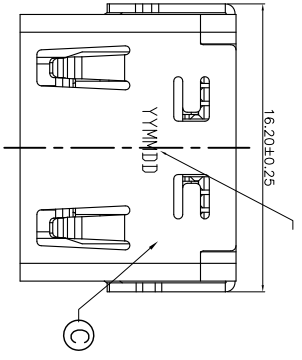
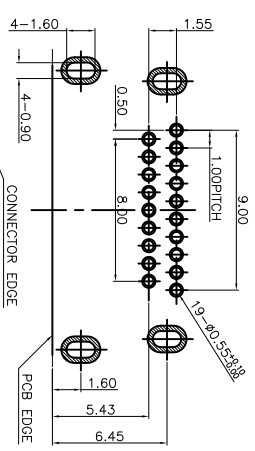
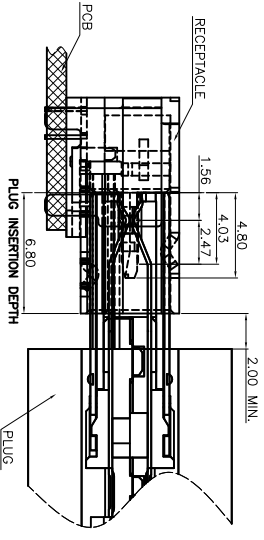
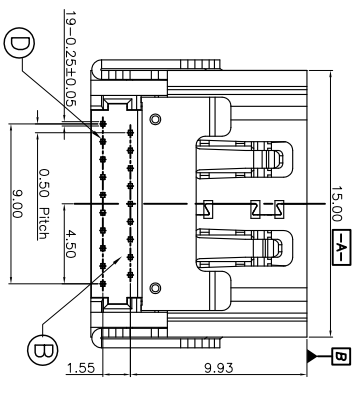
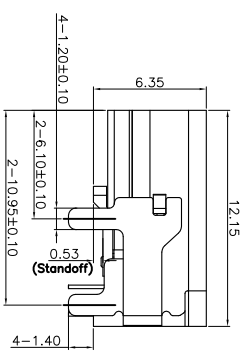
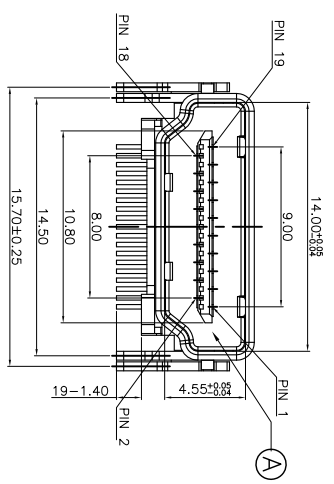


|      |                        |         |            |
|------|------------------------|---------|------------|
| REV. | ECN NO. OR DESCRIPTION | REVISED | DATE       |
| A    | PDR RELEASE            | IV-C    | 2013/06/17 |

DATE CORP. YYMMDD (YY=YEAR; MM=MONTH; DD=DAY)



3D VIEW



RECOMMENDED PCB LAYOUT (TOP VIEW)  
(THICKNESS=1.0±0.10mm)  
(TOLERANCE=±0.05mm)

SPECIFICATIONS:

- ELECTRICAL CHARACTERISTICS:
  - CURRENT RATING: 0.5 AMP.
  - VOLTAGE RATING: 40V.
  - INITIAL CONTACT RESISTANCE EXCLUDING CONDUCTOR RESISTANCE: 10mΩ MAX (TARGET DESIGN VALUE). AFTER TEST:  $\Delta$ 30mΩ MAX.
  - INSULATION RESISTANCE: 100MΩ MIN. @ 500V DC.
  - DIELECTRIC WITHSTANDING VOLTAGE: 500V AC FOR 1 MINUTE.
- MECHANICAL CHARACTERISTICS:
  - INSERTION FORCE: 4.5kgf MAX.
  - WITHDRAWAL FORCE: 1.0~4.0kgf.
- LIFE TEST: 10,000 CYCLES.
- OTHER GENERAL SPEC. TO REFER "HDMI SERIES SPEC".
- TO CONFORM TO THE SINGATRON HAZARDOUS SUBSTANCE FREE SPEC.
- HALOGEN FREE PRODUCT IDENTIFICATION LABEL ON PACKAGING.
- PACKAGE: SEE "2HE1696 SERIES" PACKAGE.
- FOR REFLOW SOLDERING LEAD-FREE PROCESS.



PART NO.

2HE1696-000111F

- SUFFIX: HALOGEN FREE
- PACKAGE
- 1: TAPE AND REEL
- HOUSING COLOR
- 1: BLACK
- CONTACT PLATING
- 1: GOLD FLASH ON CONTACT AREA
- MATTE TIN PLATED ON SOLDER AREA.
- NICKEL UNDERPLATED OVERALL.

|  |                   |   |   |                 |
|--|-------------------|---|---|-----------------|
| E  | INK               | -   | INK                                     | BLACK           |
| D  | CONTACT           | 19  | COPPER ALLOY                            | SEE PART NO.    |
| C  | SHELL             | 1   | STAINLESS STEEL                         | NICKEL PLATED   |
| B  | COVER             | 1   | HIGH TEMP. THERMO-PLASTIC UL 94V-0(LCP) | BLACK           |
| A  | HOUSING           | 1   | HIGH TEMP. THERMO-PLASTIC UL 94V-0(LCP) | BLACK           |
| NO   | DESCRIPTION       | QTY   | MATERIAL                                | PLATING & COLOR |
| UNLESS OTHERWISE SPECIFIED TOLERANCES        |                   |   |   |                 |
| Singatron Enterprise Co., Ltd.<br>信音企業股份有限公司 |                   |   |   |                 |
| DECIMALS:                                    |                   | ANGLES:                                     |   |                 |
| X  | :±0.5             | X   | :±2°                                    |                 |
| X.X  | :±0.3             | X.X   | :±1'                                    |                 |
| X.XX   | :±0.2             |   |   |                 |
| TITLE  |                   | HDMI A TYPE FEMALE, R/A, DIP TYPE, H=6.35mm |   |                 |
| DWN  | HW-C-2013/06/17   | PART NO. 2HE1696-000111F                    |   |                 |
| CHKD   |                   | SCALE                                       | 3:1                                     | UNIT: mm        |
| APVD   | AMR/DA 2013/06/17 | SIZE  | A3                                      | SHEET: 1 OF 1   |
| REV: A                                       |                   |   |   |                 |
| CUSTOMER COPY                                |                   |   |   |                 |