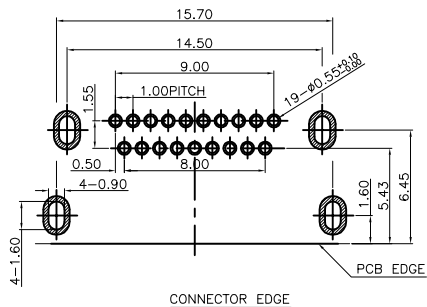
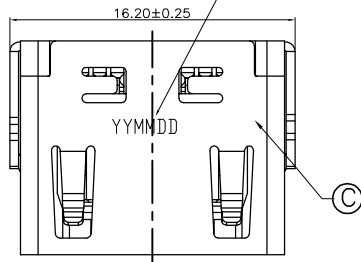


REV.	ECN NO OR DESCRIPTION	REVISED	DATE
A	PDR RELEASE	IVY-C	2014.12.03

DATE CODE: YYMMDD
(YY=YEAR; MM=MONTH; DD=DAY)



RECOMMENDED PCB LAYOUT(TOP VIEW)
(THICKNESS=1.10±0.10mm)
(TOLERANCE=±0.05mm)

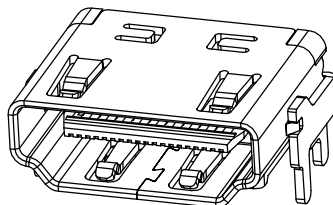
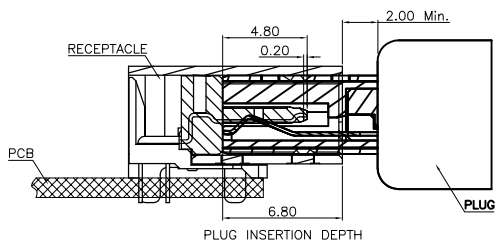
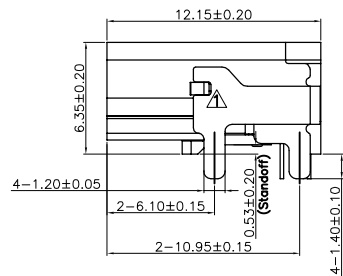
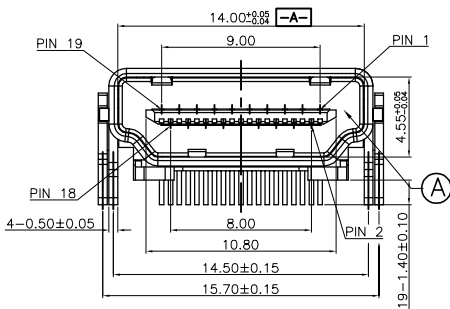
SPECIFICATIONS:

- ELECTRICAL CHARACTERISTICS:
 - CURRENT RATING: 0.5 AMP.
 - VOLTAGE RATING: 40V.
 - INITIAL CONTACT RESISTANCE EXCLUDING CONDUCTOR RESISTANCE: 10mΩ MAX (TARGET DESIGN VALUE). AFTER TEST: Δ30mΩ MAX.
 - INSULATION RESISTANCE: 100MΩ MIN. @ 500V DC.
 - DIELECTRIC WITHSTANDING VOLTAGE: 500V AC FOR 1 MINUTE.
- MECHANICAL CHARACTERISTICS:
 - INSERTION FORCE: 4.5Kgf MAX.
 - WITHDRAWAL FORCE: 1.0~4.0Kgf.
- LIFE TEST: 10,000 CYCLES.
- OTHER GENERAL SPEC. TO REFER "HDMI SERIES SPEC".
- TO CONFORM TO THE SINGATRON HAZARDOUS SUBSTANCE FREE SPEC.
- HALOGEN FREE PRODUCT IDENTIFICATION LABEL ON PACKAGING:
- PACKAGE: SEE "2HE1696 SERIES" PACKAGE.
- FOR REFLOW SOLDERING LEAD-FREE PROCESS.

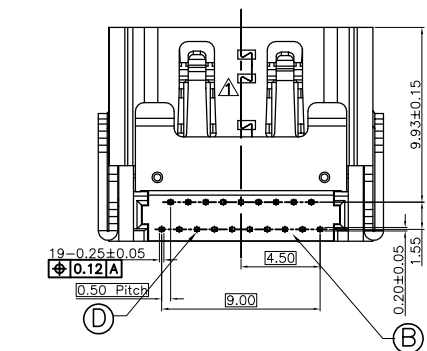
PART NO.

2HE1696-000211F

- SUFFIX: HALOGEN FREE
- PACKAGE: 1: TAPE AND REEL
- HOUSING COLOR: 1: BLACK
- CONTACT PLATING: 2: 30u" GOLD ON CONTACT AREA, MATTE TIN PLATED ON SOLDER AREA, NICKEL UNDERPLATED OVERALL.



3D VIEW



E	INK	-	INK	BLACK
D	CONTACT	19	C2680	SEE PART NO.
C	SHELL	1	SUS 304	NICKEL PLATED
B	COVER	1	LCP UL 94V-0	BLACK
A	HOUSING	1	LCP UL 94V-0	BLACK
NO	DESCRIPTION	QTY	MATERIAL	PLATING & COLOR
UNLESS OTHERWISE SPECIFIED TOLERANCES		Singatron Enterprise Co., Ltd. 		
DECIMALS: X :±0.5 X.X :±0.3 X.XX :±0.2		ANGLES: X :±2° X.X :±1°		TITLE: HDMI A TYPE FEMALE, R/A, DIP TYPE, H=6.35mm DWN: NY-C 2014.12.03 PART NO. 2HE1696-000211F CHKD: SCALE 3.3:1 UNIT: mm APVD: ANGELA 2014.12.03 SIZE: A3 SHEET: 1 OF 1 REV: A
CUSTOMER COPY				