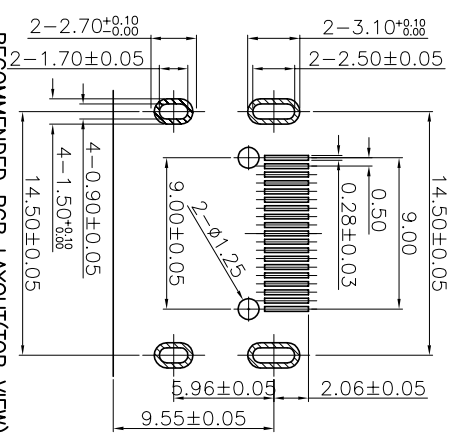
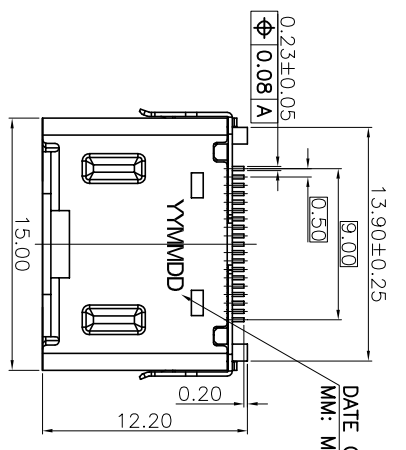
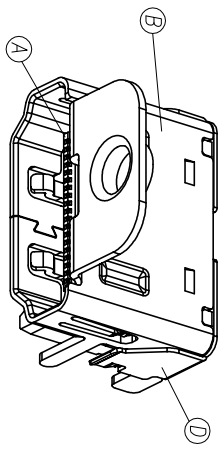
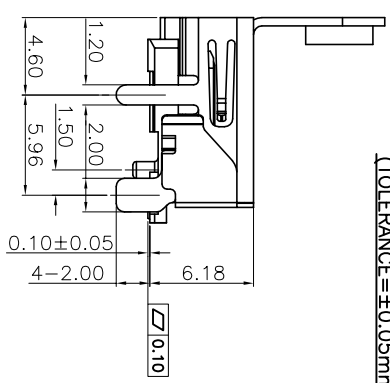
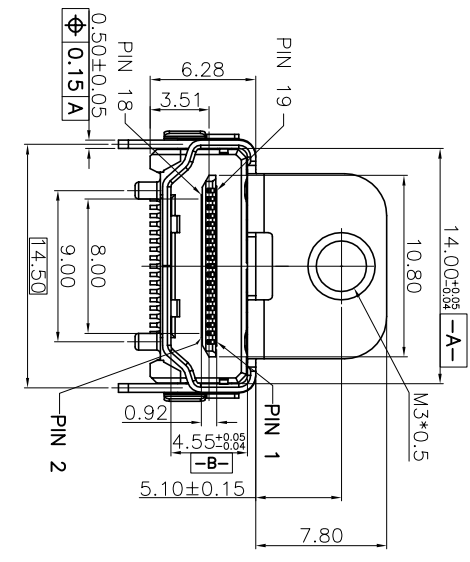


REV	EGN NO	OR DESCRIPTION	REVISED	DATE
A		PDR RELEASE	EVEN	2016.10.24

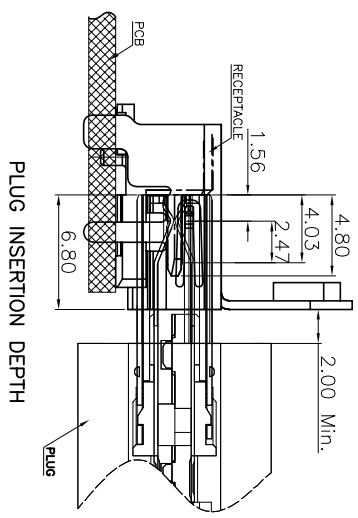
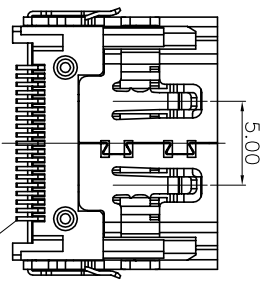
DATE CODE: YY: YEAR
MM: MONTH DD: DAY



RECOMMENDED PCB LAYOUT(TOP VIEW)
(THICKNESS=1.60±0.10mm)
(TOLERANCE=±0.05mm)



3D VIEW



SPECIFICATIONS:

- ELECTRICAL CHARACTERISTICS:
 - CURRENT RATING: 0.5 AMP.
 - VOLTAGE RATING: 40V.
 - INITIAL CONTACT RESISTANCE EXCLUDING CONDUCTOR RESISTANCE: 10mΩ MAX (TARGET DESIGN VALUE), AFTER TEST: Δ30mΩ MAX.
 - INSULATION RESISTANCE: 100MΩ MIN. @ 500V DC.
 - DIELECTRIC WITHSTANDING VOLTAGE: 500V AC FOR 1 MINUTE.
- MECHANICAL CHARACTERISTICS:
 - INSERTION FORCE: 4.5kgf MAX.
 - WITHDRAWAL FORCE: 0.5~4.0kgf.
 - LIFE TEST: 5,000 CYCLES.
 - OTHER GENERAL SPEC. TO REFER "ZHE1697-002111F SPEC".
 - TO CONFORM TO THE SINGATRON HAZARDOUS SUBSTANCE FREE SPEC.
 - HALOGEN FREE PRODUCT IDENTIFICATION LABEL ON PACKAGING.
 - PACKAGE: SEE "ZHE1697-002111F PACKAGE".
 - FOR REFLOW SOLDERING LEAD-FREE PROCESS.

PART NO.
ZHE1697-002111F

- SUFFIX: HALOGEN FREE
- PACKAGE 1: TAPE AND REEL
- HOUSING COLOR 1: BLACK
- CONTACT PLATING 1: GOLD FLASH ON CONTACT AREA, MATTE TIN PLATED ON SOLDER AREA, NICKEL UNDERPLATED OVERALL.

D	REAR SHELL	1	SUS 201	SEE PART NO.
C	CONTACT	19	C2680	NICKEL
B	FRONT SHELL	1	SUS 430	NICKEL
A	HOUSING	1	LCP UL 94V-0	BLACK
NO	DESCRIPTION	QTY	MATERIAL	PLATING & COLOR
UNLESS OTHERWISE SPECIFIED TOLERANCES				
DECIMALS:		ANGLES:		
X	:±0.5	X	:±2°	
X.X	:±0.3	X.X	:±1°	
X.XX	:±0.2			
Singatron Enterprise Co., Ltd. 信登企業股份有限公司				
TITLE		HDM A TYPE FEMALE		
DWN	REV: 2016.10.24	PART NO.	ZHE1697-002111F	
CHKD	ANGELA 2016.10.24	SCALE: 2.5:1	UNIT: mm	
APVD	ANGELA 2016.10.24	SIZE: A3	SHEET: 1 OF 1	REV: A
CUSTOMER COPY				

