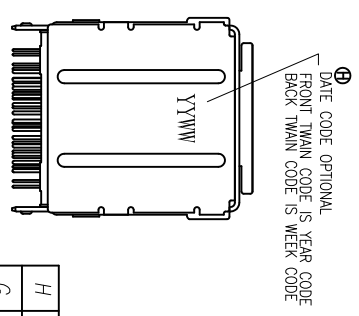
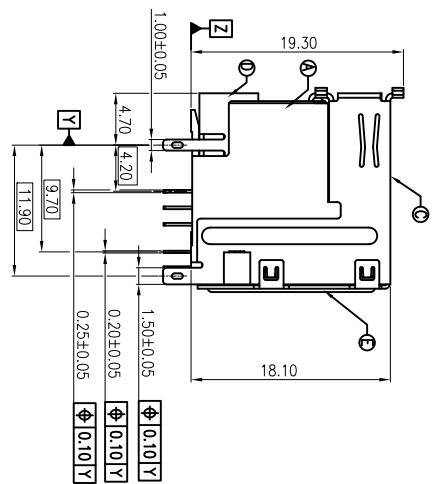
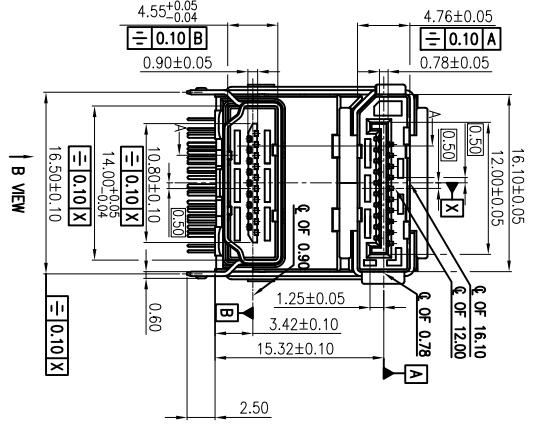


PART NO.  
ZHE1700-000111F

- SUFFIX: HALOGEN FREE
- PACKAGE
- TRAY
- HOUSING COLOR
- BLACK
- CONTACT PLATING

1: GOLD FLASH ON CONTACT AREA,  
TIN PLATED ON SOLDER AREA.  
NICKEL UNDERPLATED OVERALL



NO	DESCRIPTION	QTY	MATERIAL	PLATING & COLOR
H	INK	-	N/A	BLACK
G	HDMI CONTACT	19	COPPER ALLOY	SEE PART NO.
F	DISPLAYPORT CONTACT	20	COPPER ALLOY	SEE PART NO.
E	BACK SHELL	1	STEEL	NICKEL PLATED
D	HDMI SHELL	1	COPPER ALLOY	NICKEL PLATED
C	DISPLAYPORT SHELL	1	COPPER ALLOY	NICKEL PLATED
B	SPACER	1	HIGH TEMP THERMOPLASTIC UL 94V-0	BLACK
A	HOUSING	1	HIGH TEMP THERMOPLASTIC UL 94V-0	BLACK

REV.	ECN NO. OR DESCRIPTION	REVISED	DATE
A	PDR RELEASE	W-C	2013.10.11
B	ECN NO: L150059	W-C	2015.04.22
C	ECN NO: L150153	W-C	2016.01.29

DECIMALS:	ANGLES:
X :±0.5	X :±2°
X.X :±0.3	X.X :±1°
X.XX :±0.2	

UNLESS OTHERWISE SPECIFIED TOLERANCES

Singatron Enterprise Co., Ltd.  
信亨企業股份有限公司

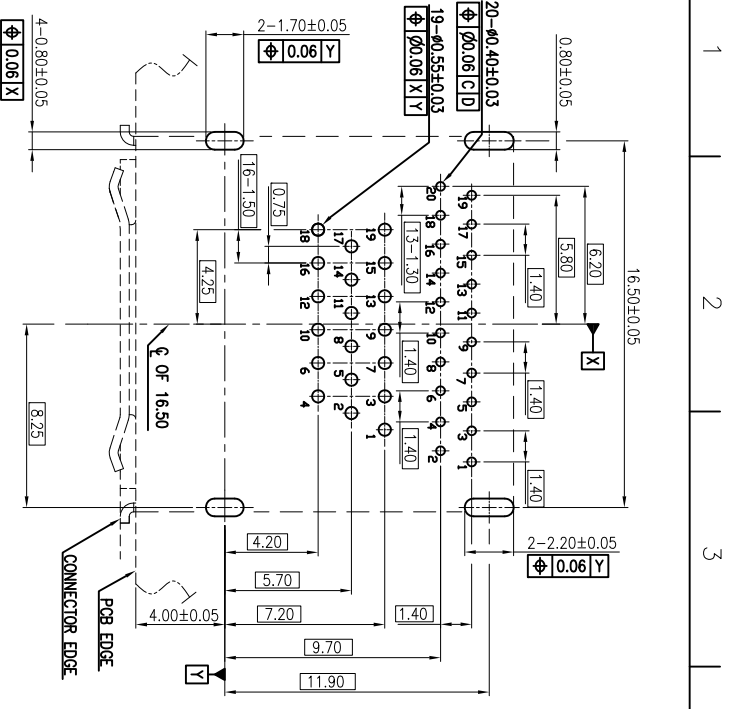
DISPLAYPORT ADD HDMI COMBO RECEPTACLE DIP TYPE CONNECTOR

DWN W-C 2016.01.29 PART NO. ZHE1700-000111F

CHKD ANGEL2016.01.29 SCALE:3.3:1 UNIT: mm

APVD ANGEL2016.01.29 SIZE: A3 SHEET: 1 OF 2 REV: C

CUSTOMER COPY



RECOMMENDED PCB LAYOUT (SCALE 2:1)  
THICKNESS=1.6±0.10mm

DISP.LAYPORT PIN NAME	HDMI PIN NAME
1 ML_Lane 0(p)	TMDS Data2+
2 GND	TMDS Data2 Shield
3 ML_Lane 0(n)	TMDS Data2-
4 ML_Lane 1(p)	TMDS Data1+
5 GND	TMDS Data1 Shield
6 ML_Lane 1(n)	TMDS Data1-
7 ML_Lane 2(p)	TMDS Data0+
8 GND	TMDS Data0 Shield
9 ML_Lane 2(n)	TMDS Data0-
10 ML_Lane 3(p)	TMDS Clock+
11 GND	TMDS Clock Shield
12 ML_Lane 3(n)	TMDS Clock-
13 GND	CEC
14 GND	Utility
15 AUX CH (p)	SCL
16 GND	SDA
17 AUX CH (n)	DDC/CEC Ground
18 Hot Plug Detect	+5V Power
19 Return	Hot Plug Detect
20 DP_pWR	

REV.	ECN NO. OR DESCRIPTION	REVISED	DATE
A	PDR RELEASE	NY-C	2013.10.11
B	ECN NO.: L150059	NY-C	2015.04.22
C	ECN NO.: L150153	NY-C	2016.01.29

- SPECIFICATIONS:
- MECHANICAL:
    - INSERTION FORCE: 44.1N Max. FOR DP AND HDMI.
    - WITHDRAWAL FORCE AFTER 2000 TIMES:
      - HDMI: 39.2N Max, 9.8N Min.
      - DISP.LAYPORT: 39.2N Max, 9.8N Min.
    - WITHDRAWAL FORCE AFTER 10000 TIMES:
      - HDMI: 4.9N Min, 39.2N Max.
      - DISP.LAYPORT: 4.9N Min, 39.2N Max.
  - ELECTRICAL:
    - CONTACT CURRENT RATING:
      - HDMI: 500mA minimum per pin
      - DISP.LAYPORT: 500mA minimum per pin
    - VOLTAGE RATING:
      - HDMI: 40V AC(RMS)
      - DISP.LAYPORT: 40V AC(RMS)
    - OTHER GENERAL SPEC. TO REFER "2HE1700 SERIES SPEC"
    - TO CONFORM TO THE SINGATRON HAZARDOUS SUBSTANCE FREE SPEC.
    - HALOGEN FREE PRODUCT IDENTIFICATION LABEL ON PACKAGING.
    - PACKAGE: SEE "2HE1700 SERIES" PACKAGE.
    - FOR REFLOW SOLDERING LEAD-FREE PROCESS.

NO	DESCRIPTION	QTY	MATERIAL	PLATING & COLOR
UNLESS OTHERWISE SPECIFIED TOLERANCES				
DECIMALS: ANGLES:				
X	:±0.5	X	:±2°	
X.X	:±0.3	X.X	:±1°	
X.XX	:±0.2			
TITLE	RECEPTACLE DIP TYPE CONNECTOR			
DWN	W-C-2016.01.29 PART NO. 2HE1700-000111A			
CHKD	ANGEL2016.01.29 SCALE 3.3:1 UNIT: mm			
APVD	ANGEL2016.01.29 SIZE: A3 SHEET: 2 OF 2 REV: C			
<i>CUSTOMER COPY</i>				