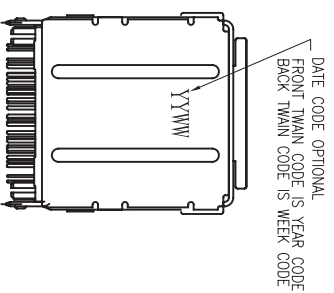
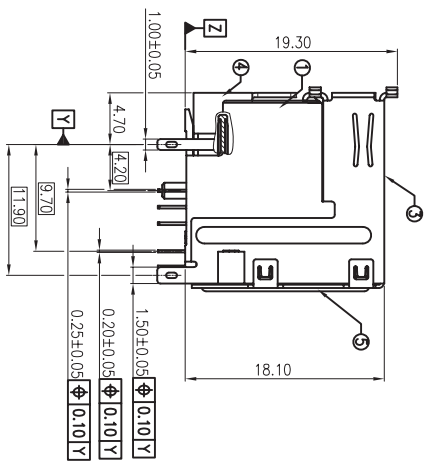
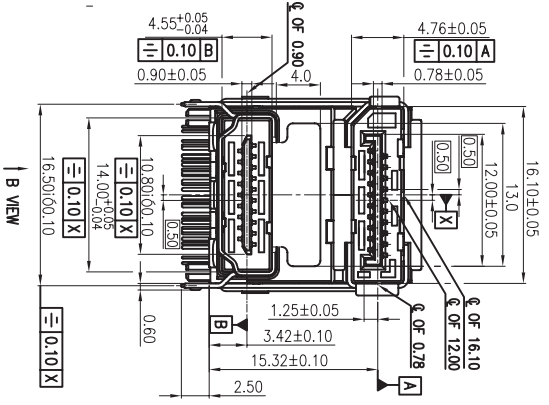


PART NO.
2HE1700-F00111F

- SUFFIX: HALOGEN FREE
- PACKAGE
- 1: TRAY
- HOUSING COLOR
- 1: BLACK
- CONTACT PLATING
- 1: GOLD FLASH ON CONTACT AREA,
TIN PLATED ON SOLDER AREA,
NICKEL UNDERPLATED OVERALL



REV.	ECN NO. OR DESCRIPTION	REVISED	DATE
A	PDR RELEASE	IV-C	2019.01.29

NO	DESCRIPTION	QTY	MATERIAL	PLATING & COLOR
H	INK	-	N/A	BLACK
G	HDMI CONTACT	19	COPPER ALLOY	SEE PART NO.
F	DISPLAYPORT CONTACT	20	COPPER ALLOY	SEE PART NO.
E	BACK SHELL	1	STEEL	NICKEL PLATED
D	HDMI SHELL	1	COPPER ALLOY	NICKEL PLATED
C	DISPLAYPORT SHELL	1	COPPER ALLOY	NICKEL PLATED
B	SPACER	1	HIGH TEMP THERMOPLASTIC UL 94V-0	BLACK
A	HOUSING	1	HIGH TEMP THERMOPLASTIC UL 94V-0	BLACK

UNLESS OTHERWISE SPECIFIED TOLERANCES

DECIMALS: ANGLES:

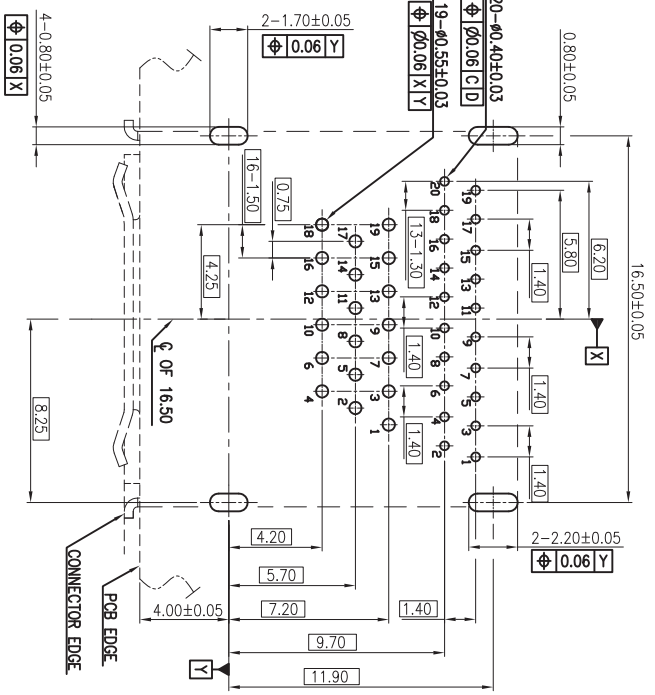
X :±0.5 X :±2°
X.X :±0.3 X.X :±1°
X.XX :±0.2

Singatron Enterprise Co., Ltd.

DISPLAYPORT AND HDMI COMBO
RECEPTACLE DIP TYPE CONNECTOR

DWN IN-C 2019.01.29 PART NO. 2HE1700-F00111F
CHKD ANGEL2019.01.29 SCALE:3.3:1 UNIT: mm
APVD ANGEL2019.01.29 SIZE: A3 SHEET: 1 OF 2 REV: A

CUSTOMER COPY



RECOMMENDED PCB LAYOUT (SCALE 2:1)
THICKNESS=1.6±0.10mm

DISPLAYPORT PIN NAME	HDMI PIN NAME
1 ML_Lane 0(p)	TMDS Data2+
2 GND	TMDS Data2 Shield
3 ML_Lane 0(n)	TMDS Data2-
4 ML_Lane 1(p)	TMDS Data1+
5 GND	TMDS Data1 Shield
6 ML_Lane 1(n)	TMDS Data1-
7 ML_Lane 2(p)	TMDS Data0+
8 GND	TMDS Data0 Shield
9 ML_Lane 2(n)	TMDS Data0-
10 ML_Lane 3(p)	TMDS Clock+
11 GND	TMDS Clock Shield
12 ML_Lane 3(n)	TMDS Clock-
13 GND	CEC
14 GND	Utility
15 AUX CH (p)	SCL
16 GND	SDA
17 AUX CH (n)	DDC/CEC Ground
18 Hot Plug Detect	+5V Power
19 Return	Hot Plug Detect
20 DP_pWR	

SPECIFICATIONS:

1. MECHANICAL:

- 1.1 INSERTION FORCE:44.1N Max. FOR DP AND HDMI.
- 1.2 WITHDRAWAL FORCE AFTER 2000 TIMES:

1.2.1 HDMI:39.2N MAX,9.8N Min.

1.2.2 DISPLAYPORT:39.2N Max,9.8N Min.

- 1.3 WITHDRAWAL FORCE AFTER 2001-10000 TIMES:

1.3.1 HDMI:4.9N Min,39.2N Max.

1.3.2 DISPLAYPORT:4.9N Min,39.2N Max.

2. ELECTRICAL:

2.1 CONTACT CURRENT RATING:

2.1.1 HDMI:500mA minimum per pin

2.1.2 DISPLAYPORT:500mA minimum per pin

2.2 VOLTAGE RATING:

2.2.1 HDMI:40V AC(RMS)

2.2.2 DISPLAYPORT:40V AC(RMS)

4. OTHER GENERAL SPEC. TO REFER "2HE1700 SERIES SPEC"

- 5. TO CONFORM TO THE SINGATRON HAZARDOUS SUBSTANCE FREE SPEC.
- 6. HALOGEN FREE PRODUCT IDENTIFICATION LABEL ON PACKAGING.
- 7. PACKAGE: SEE "2HE1700 SERIES" PACKAGE.
- 8. FOR REFLOW SOLDERING LEAD-FREE PROCESS.



REV./ECN	NO OR DESCRIPTION	REVISED	DATE
A	PDR RELEASE	NY-C	2019.01.29

NO	DESCRIPTION	QTY	MATERIAL	PLATING & COLOR
UNLESS OTHERWISE SPECIFIED TOLERANCES				
Singatron Enterprise Co., Ltd.				
TITLE	DISPLAYPORT AND HDMI COMBO RECEPTACLE DIP TYPE CONNECTOR			
DWN	NY-C-2019.01.29	PART NO.	2HE1700-F00111F	
CHKD	ANGELE2019.01.29	SCALE	3.5:1	UNIT: mm
APVD	ANGELE2019.01.29	SIZE	A3	SHEET: 2 OF 2 REV: A
CUSTOMER COPY				