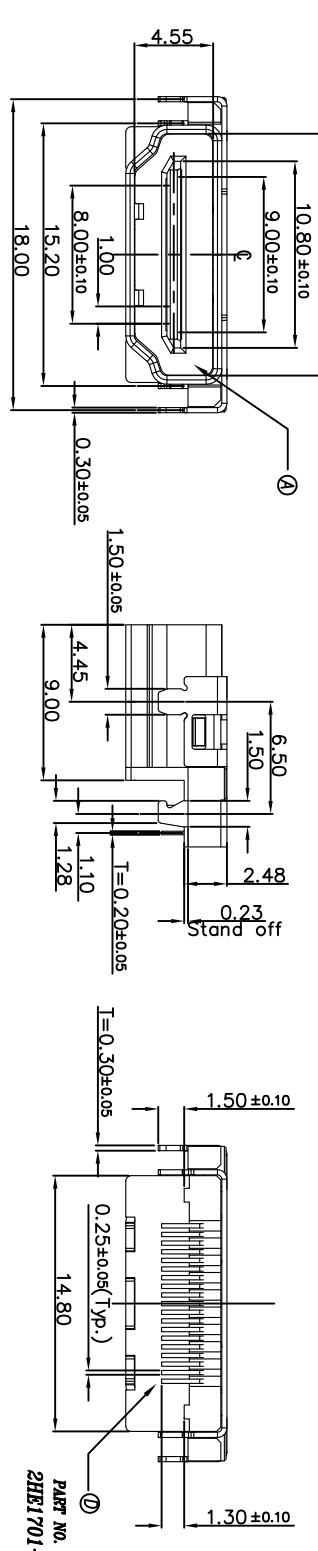
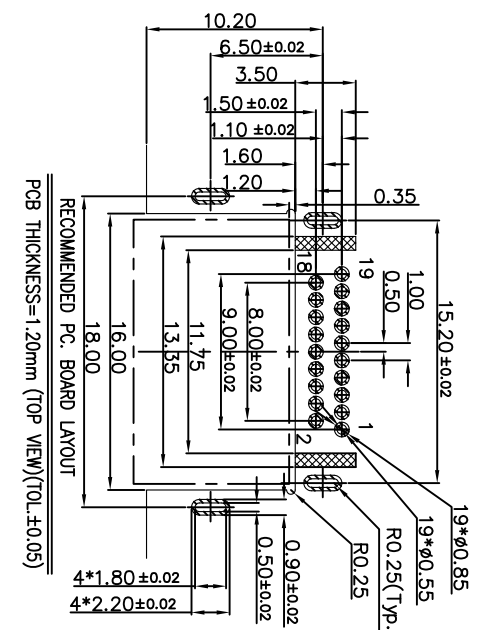
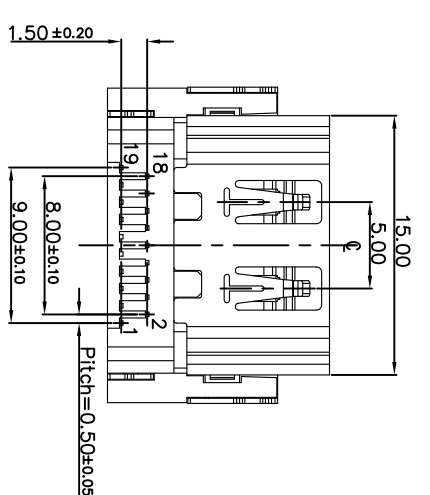


- SPECIFICATIONS:
- ELECTRICAL CHARACTERISTICS:
 - CURRENT RATING: 0.5A
 - VOLTAGE RATING: 40V
 - CONTACT RESISTANCE: 10mohm MAX (TARGET DESIGN VALUE)
 - DIELECTRIC WITHSTANDING VOLTAGE: 300V AC FOR ONE MINUTE (MATED CONNECTOR)
 - INSULATION RESISTANCE: 100Mohm MIN. MEASURED BY 500V DC (UNMATED CONNECTOR)
 - MECHANICAL CHARACTERISTICS:
 - INSERTION FORCE: $\leq 4.5\text{KGf}$ MAX.
 - WITHDRAWAL FORCE: $1.0\sim 4.0\text{KGf}$
 - LIFE TEST: 10,000 CYCLES.
 - OTHER GENERAL SPEC. TO REFER 'HDMI SERIES SPEC'
 - TO CONFORM TO SINGARON HAZARDOUS SUBSTANCE FREE SPEC.
 - HALOGEN FREE PRODUCT IDENTIFICATION LABEL ON PACKAGING.
 - FOR REFLOW SOLDERING LEAD-FREE PROCESS.
 - PACKAGE: SEE 'ZHE1701 SERIES' PACKAGE.



PART NO.
ZHE1701-000111F

SUFFIX: HALOGEN FREE
 PACKAGE: 1: TAPE AND REEL
 HOUSING COLOR: 1: BLACK
 CONTACT PLATING: 5u" GOLD ON CONTACT AREA, 100u" WHITE TIN ON SOLDER AREA, 50u" MIN. NICKEL UNDER PLATING OVER ALL



NO	DESCRIPTION	QTY	MATERIAL	PLATING & COLOR
E	INK			BLACK
D	CONTACT	19	BRASS, T=0.20	SEE PART NO
C	SHELL COVER	1	SUS304, T=0.30	50U" MIN. NICKEL PLATE OVER ALL
B	SHELL	1	S50C, T=0.50	50U" MIN. NICKEL PLATE OVER ALL
A	HOUSING	1	HIGH TEMP. THERMOPLASTIC UL 94V-0	BLACK

UNLESS OTHERWISE SPECIFIED TOLERANCES

Singatron Enterprise Co., Ltd.
信亨企業股份有限公司

TITLE: HDMI A TYPE RECEPTACLE CONNECTOR

DWN: HW-C-2013.08.02 PART NO. ZHE1701-000111F

CHKD: SCALE: 4:1 UNIT: mm

APVD: AME140110A02 SIZE: A3 SHEET: 1 OF 1 REV: A



DECIMALS: ANGLES:

X : ±0.5 X : ±2

XX : ±0.3 X.X : ±1

X.XX : ±0.2

CUSTOMER COPY

REV	ECN NO	OR DESCRIPTION	REVISED	DATE
A		PDR RELEASE	HW-C	2013.08.02