

REV.	EGN NO.	OR DESCRIPTION	REVISED	DATE
A	PDR RELEASE		WV-C	2013.12.03

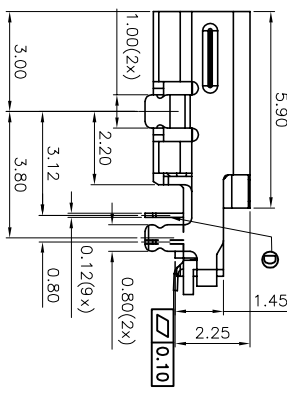
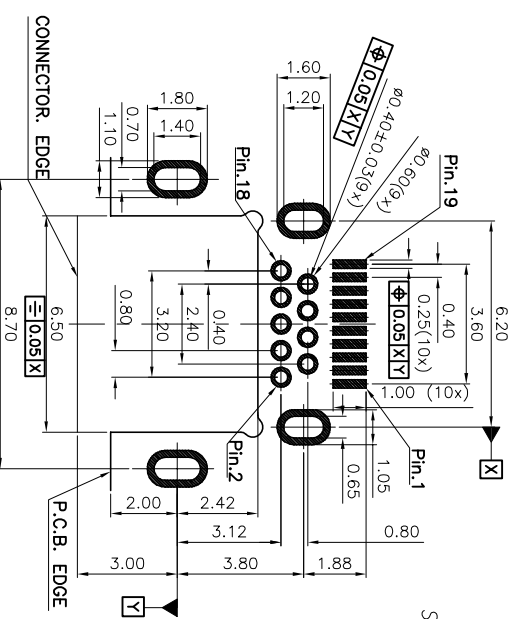
SPECIFICATIONS:

- ELECTRICAL CHARACTERISTICS:
 - CURRENT RATING: 0.3 AMP.
 - VOLTAGE RATING: 40V.
 - CONTACT RESISTANCE: 30mΩ MAX.
- INSULATION RESISTANCE: 100MΩ MIN. @ 500V DC.
- DIELECTRIC WITHSTANDING VOLTAGE: 250V AC FOR 1 MINUTE.
- MECHANICAL CHARACTERISTICS:
 - INSERTION FORCE: 4.5kgf MAX.
 - WITHDRAWAL FORCE: 0.5~2.5kgf.
- LIFE TEST: 5,000 CYCLES
- OTHER GENERAL SPEC. TO REFER "ZHE1703 SERIES SPEC".
- TO CONFORM TO THE SINGATRON HAZARDOUS SUBSTANCE FREE SPEC.
- HALOGEN FREE PRODUCT IDENTIFICATION LABEL ON PACKAGING.
- PACKAGE: SEE "ZHE1703 SERIES" PACKAGE.
- FOR REFLOW SOLDERING LEAD-FREE PROCESS.



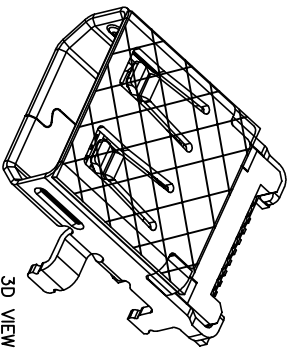
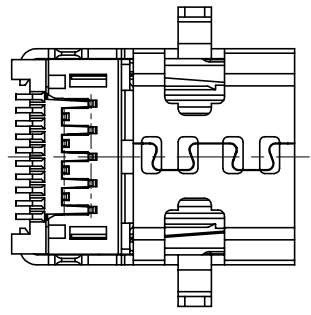
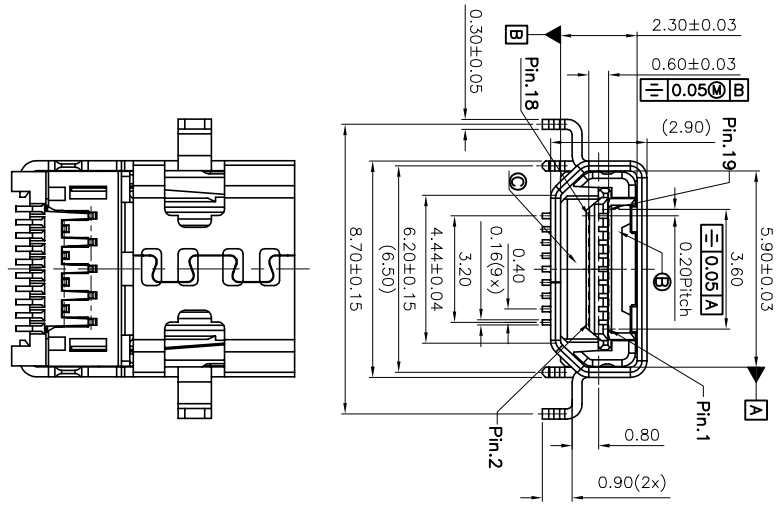
PART NO.
ZHE1703-000111F

RECOMMENDED P.C.B. LAYOUT(T=0.90mm)
TOLERANCE UNSPECIFIED ±0.05mm



- SUFFIX: HALOGEN FREE
- PACKAGE
- 1: TAPE AND REEL
- HOUSING COLOR
- 1: BLACK
- CONTACT PLATING

1: GOLD FLASH ON CONTACT AREA, GOLD FLASH ON SOLDER AREA AND 50u" NICKEL UNDER-PLATING,



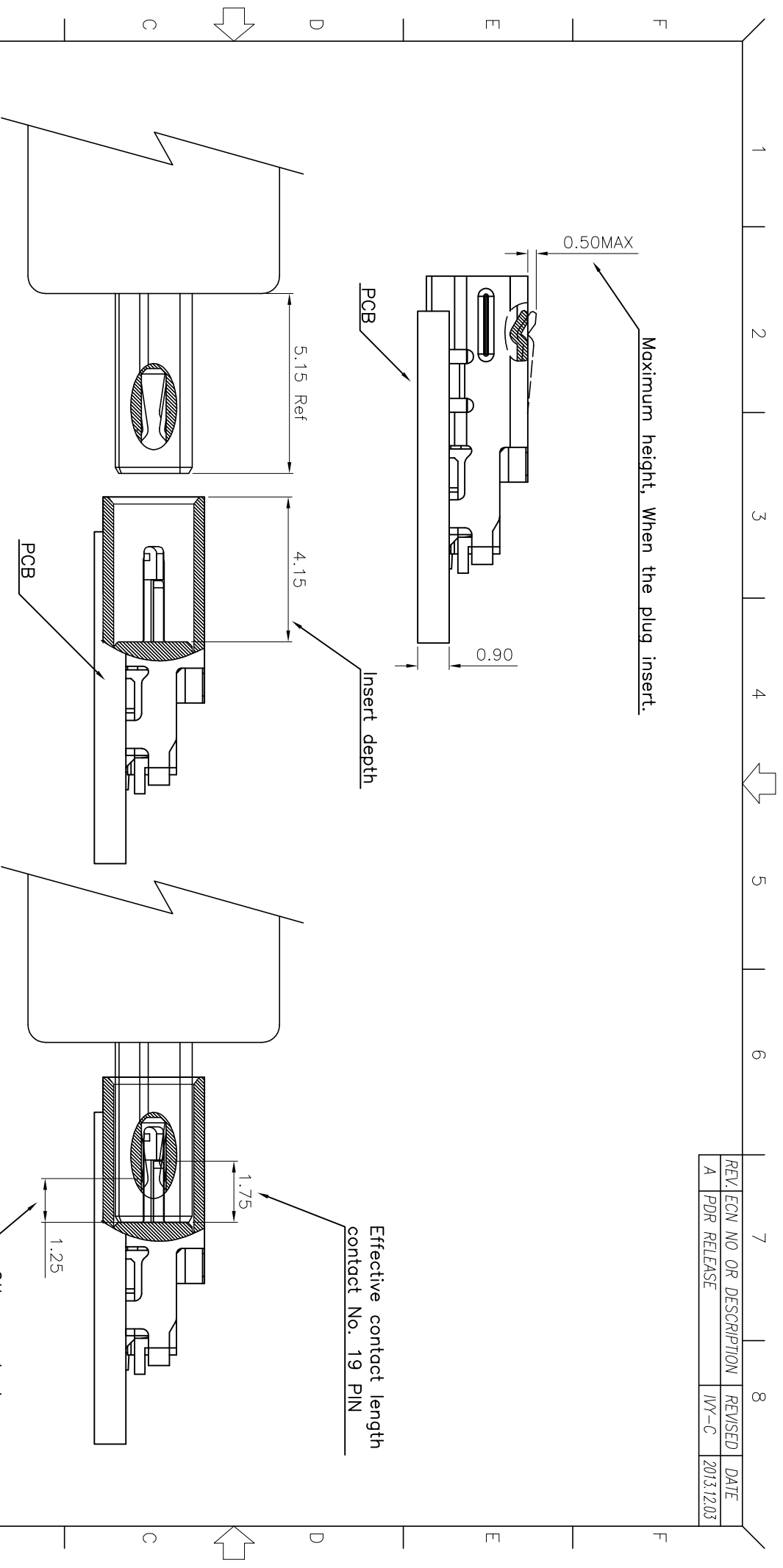
3D VIEW

F	MYLAR	1	N/A	YELLOW
E	SMT CONTACT	10	COPPER ALLOY	SEE PART NO.
D	DIP CONTACT	9	COPPER ALLOY	SEE PART NO.
C	BOTTOM COVER	1	HIGH TEMP. THERMOPLASTIC UL 94V-0	BLACK
B	HOUSING	1	HIGH TEMP. THERMOPLASTIC UL 94V-0	BLACK
A	SHELL	1	STAINLESS STEEL	50u"MIN BLACK NI PLATING OVER ALL
NO	DESCRIPTION	QTY	MATERIAL	PLATING & COLOR
UNLESS OTHERWISE SPECIFIED TOLERANCES				
DECIMALS:		ANGLES:		
X	:±0.5	X	:±2°	
X.X	:±0.3	X.X	:±1°	
X.XX	:±0.2			
TITLE		HDMI D TYPE FEMALE, DIP, CH=0.80		
DWG		HW-C-2013.12.03 PART NO. ZHE1703-000111F		
CHKD		SCALE:2.5:1 UNIT: mm		
APVD		HW-C-2013.12.03 SIZE: A3 SHEET: 1 OF 2 REV: A		
CUSTOMER COPY				




Singatron Enterprise Co., Ltd.
信亨企業股份有限公司

REV.	EGN NO.	OR DESCRIPTION	REVISED	DATE
A	PDR RELEASE		NY-C	2013.12.03



NO	DESCRIPTION	QTY	MATERIAL	PLATING & COLOR
UNLESS OTHERWISE SPECIFIED TOLERANCES				
DECIMALS: ANGLES:				
X	:±0.5	X	:±2°	
X.X	:±0.3	X.X	:±1°	
X.XX	:±0.2			
TITLE: HDMI D TYPE FEMALE DIP, CH=0.80				
DWN	HW-C 2013.12.03	PART NO. 2HEI703-000111F		
CHKD	SCALE:2.5:1	UNIT: mm		
APVD	ANGEL:2013.12.03	SIZE: A3	SHEET:2 OF 2	REV: A

 Singatron Enterprise Co., Ltd.
 信音企業股份有限公司
CUSTOMER COPY