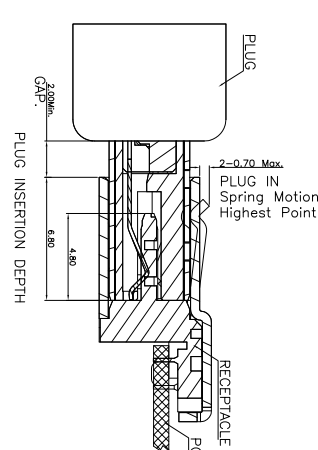
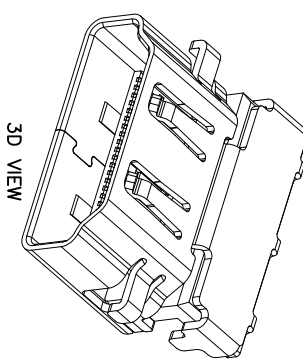
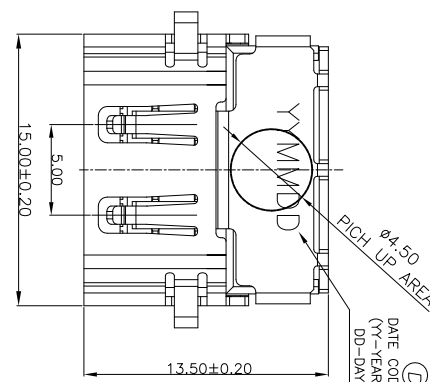
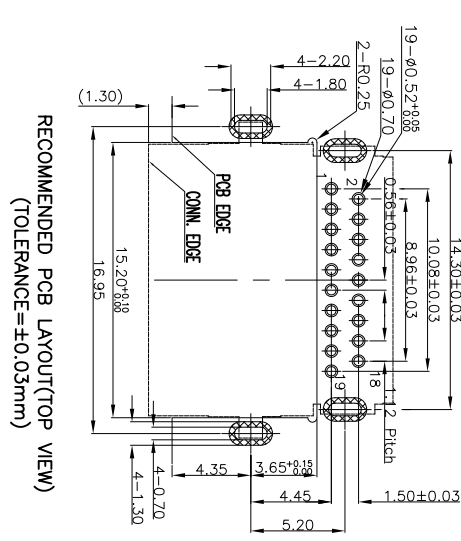
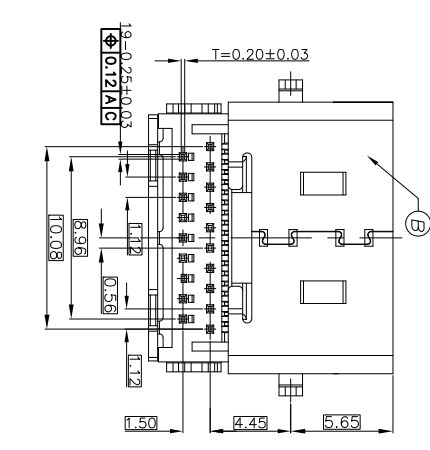
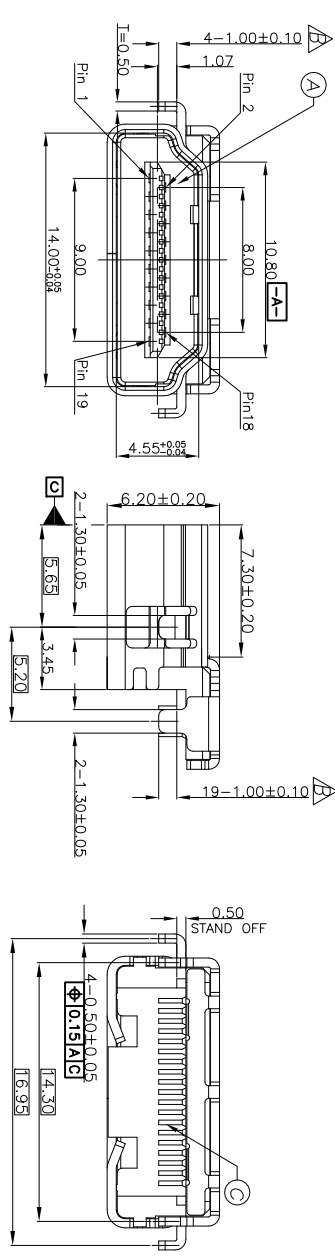


DATE CODE:YY MM DD
(YY-YEAR MM-MONTH DD-DAY)



SPECIFICATIONS:

- ELECTRICAL CHARACTERISTICS:
 - CURRENT RATING: 0.5 AMP.
 - VOLTAGE RATING: 40V.
 - INITIAL CONTACT RESISTANCE EXCLUDING CONDUCTOR RESISTANCE: 10mΩ MAX (TARGET DESIGN VALUE), AFTER TEST: Δ30mΩ MAX.
 - INSULATION RESISTANCE: 100MΩ MIN. @ 500V DC.
 - DIELECTRIC WITHSTANDING VOLTAGE: 500V AC FOR 1 MINUTE.
- MECHANICAL CHARACTERISTICS:
 - INSERTION FORCE: 4.4Kgf MAX.
 - WITHDRAWAL FORCE: 0.5~2.5Kgf.
- LIFE TEST: 10,000 CYCLES.
- OTHER GENERAL SPEC. TO REFER "ZHE1711 SERIES SPEC."
- TO CONFORM TO THE SINGATRON HAZARDOUS SUBSTANCE FREE SPEC.
- HALOGEN FREE PRODUCT IDENTIFICATION LABEL ON PACKAGING.
- PACKAGE: SEE "ZHE1711 SERIES" PACKAGE.
- FOR REFLOW SOLDERING LEAD-FREE PROCESS.



PART NO.
ZHE1711-000111F

SUFFIX: HALOGEN FREE

PACKAGE
1: TAPE AND REEL
HOUSING COLOR
1: BLACK

CONTACT PLATING
1: Au 5u" PLATING ON CONTACT AREA,
GOLD FLASH ON SOLDER AREA
60~150u" NICKEL OVER ALL

REV.	ECN NO OR DESCRIPTION	REVISED	DATE
A	PDR RELEASE	NY-C	2014.01.29
B	ECN NO: L150033	NY-C	2015.04.01

NO	DESCRIPTION	QTY	MATERIAL	PLATING & COLOR
D	INK			BLACK
C	CONTACT	19	COPPER ALLOY	SEE PART NO.
B	SHELL	1	STAINLESS STEEL	NICKEL
A	HOUSING	1	HIGH TEMP. THERMOPLASTIC UL 94V-0	BLACK

UNLESS OTHERWISE SPECIFIED TOLERANCES

DECIMALS: ANGLES:

X : ±0.1 X : ±2°
X.X : ±0.1 X.X : ±1°
X.XX : ±0.1 X.XX : ±0.1

Singatron Enterprise Co., Ltd.
信音企業股份有限公司

TITLE: HDMI TYPE A FEMALE, DIP TYPE(CH=1.07)

DWN: W-C-2015.04.01 PART NO. ZHE1711-000111F
CHKD: ANGEL2015.04.01 SCALE 1:1 UNIT: mm
APVD: ANGEL2015.04.01 SIZE: A3 SHEET: 1 OF 1 REV: B

CUSTOMER COPY