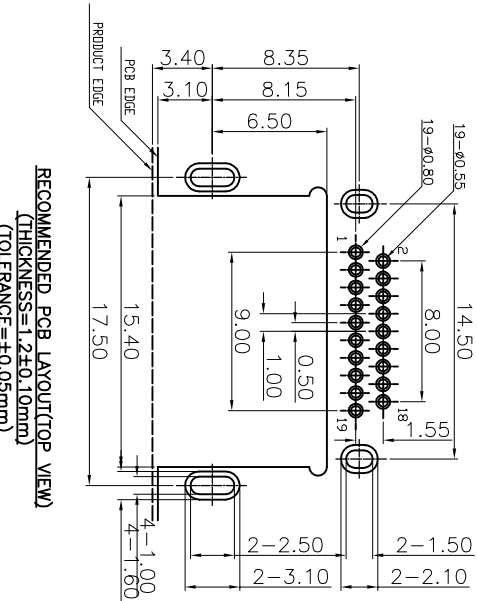
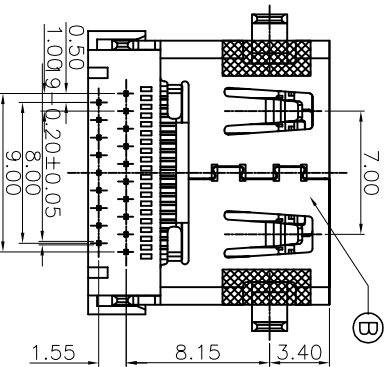
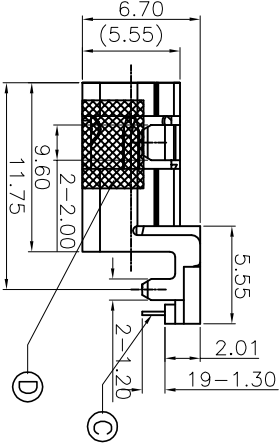
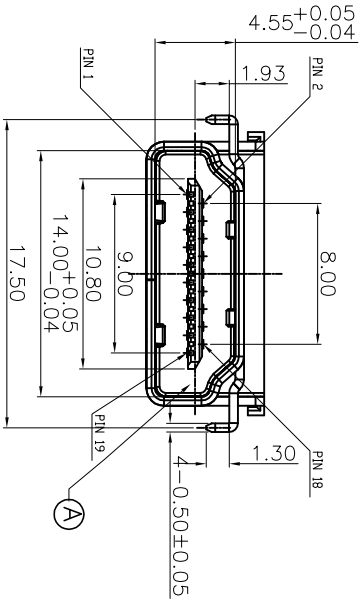


3D VIEW

SPECIFICATIONS:

- ELECTRICAL CHARACTERISTICS:
 - ELECTRICAL RATING: 0.5 AMP.
 - VOLTAGE RATING: 40V.
 - INITIAL CONTACT RESISTANCE EXCLUDING CONDUCTOR RESISTANCE: 10mΩ MAX (TARGET DESIGN VALUE). AFTER TEST: Δ 30mΩ MAX.
 - INSULATION RESISTANCE: 100MΩ MIN. @ 500V DC.
 - DIELECTRIC WITHSTANDING VOLTAGE: 500V AC FOR 1 MINUTE.
- MECHANICAL CHARACTERISTICS:
 - INSERTION FORCE: 4.5Kgf MAX.
 - WITHDRAWAL FORCE: 1.0~4.0Kgf.
 - LIFE TEST: 10,000 CYCLES.
 - OTHER GENERAL SPEC. TO REFER "HDMI SERIES SPEC".
 - TO CONFORM TO THE SINGATRON HAZARDOUS SUBSTANCE FREE SPEC.
 - HALOGEN FREE PRODUCT IDENTIFICATION LABEL ON PACKAGING.
 - PACKAGE: SEE "2HE1712 SERIES" PACKAGE.
 - FOR REFLOW SOLDERING LEAD-FREE PROCESS.



RECOMMENDED PCB LAYOUT(TOP VIEW)
(THICKNESS=1.2±0.10mm)
(TOLERANCE=±0.05mm)

PART NO.2HE1712-000111F

- SUFFIX: HALOGEN FREE
- PACKAGE
- 1: TAPE AND REEL
- HOUSING COLOR
- 1: BLACK
- CONTACT PLATING
- 1: GOLD FLASH ON CONTACT AREA,
- GOLD FLASH ON SOLDER AREA,
- NICKEL UNDERPLATED OVERALL

E	INK	-	BLACK
D	MYLAR	2	YELLOW
C	CONTACT	19	COPPER ALLOY
B	SHELL	1	STAINLESS STEEL
A	HOUSING	1	HIGH TEMP. THERMO-PLASTIC UL 94V-0
NO	DESCRIPTION	QTY	MATERIAL
UNLESS OTHERWISE SPECIFIED TOLERANCES			
DECIMALS: ANGLES:			
X	:±0.5	X	:±2°
X.X	:±0.3	X.X	:±1°
X.XX	:±0.2		
TITLE: HDMI A TYPE FEMALE, REVERSE, SINKING, CH=-1.93mm			
DWG: HW-C-20140408 PART NO. 2HE1712-000111F			
CHKD: SCALE:3.3:1 UNIT: mm			
APVD: ANG:40/14.18 SIZE: A3 SHEET:1 OF 1 REV: A			
CUSTOMER COPY			

Singatron Enterprise Co., Ltd.
信亨企業股份有限公司