

REV.	ECN NO OR DESCRIPTION	REVISED	DATE
A	PDR RELEASE	IVY-C	2014.04.02
B	ECN NO:L150023	IVY-C	2015.02.11
C	ECN NO:L150055	IVY-C	2015.05.14

SPECIFICATIONS:

- ELECTRICAL CHARACTERISTICS:
 - CURRENT RATING: 0.5 AMP.
 - VOLTAGE RATING: 40V.
 - INITIAL CONTACT RESISTANCE EXCLUDING CONDUCTOR RESISTANCE: 10mΩ MAX (TARGET DESIGN VALUE). AFTER TEST: Δ30mΩ MAX.
 - INSULATION RESISTANCE: 100MΩ MIN. @ 500V DC.
 - DIELECTRIC WITHSTANDING VOLTAGE: 500V AC FOR 1 MINUTE.
- MECHANICAL CHARACTERISTICS:
 - INSERTION FORCE: 4.5Kgf MAX.
 - WITHDRAWAL FORCE: 0.7~2.7Kgf.(INITIAL)
- LIFE TEST: 10,000 CYCLES.
- OTHER GENERAL SPEC. TO REFER "HDMI SERIES SPEC".
- TO CONFORM TO THE SINGATRON HAZARDOUS SUBSTANCE FREE SPEC.
- HALOGEN FREE PRODUCT IDENTIFICATION LABEL ON PACKAGING:
- PACKAGE: SEE "2HE1714 SERIES" PACKAGE.
- FOR REFLOW SOLDERING LEAD-FREE PROCESS.



PART NO.

2HE1714-000111F

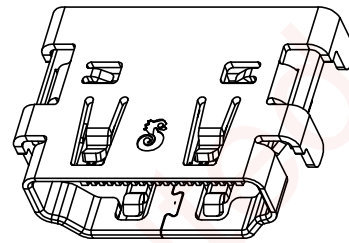
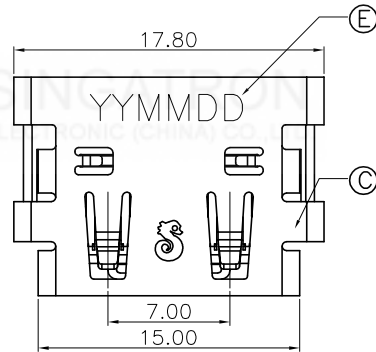
- SUFFIX: HALOGEN FREE
- PACKAGE: 1: TAPE AND REEL
- HOUSING COLOR: 1: BLACK
- CONTACT PLATING: 1: GOLD FLASH ON CONTACT AREA, MATTE TIN ON SOLDER AREA, NICKEL UNDERPLATED OVERALL

E	INK		BLACK	
D	CONTACT	19	C2680R-H 0.2t SEE PART NO.	
C	SHELL	1	C2680R-H 0.5t NICKEL	
B	BELOW COVER	1	LCP E130i ; UL94V-0 BLACK	
A	HOUSING	1	LCP E130i ; UL94V-0 BLACK	
NO	DESCRIPTION	QTY	MATERIAL	PLATING & COLOR
UNLESS OTHERWISE SPECIFIED TOLERANCES		Singatron Enterprise Co., Ltd. 信音企業股份有限公司		

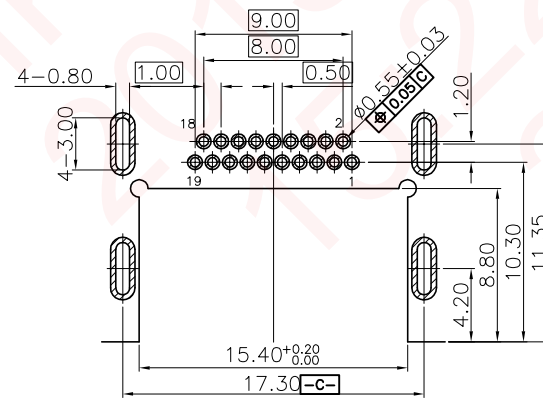
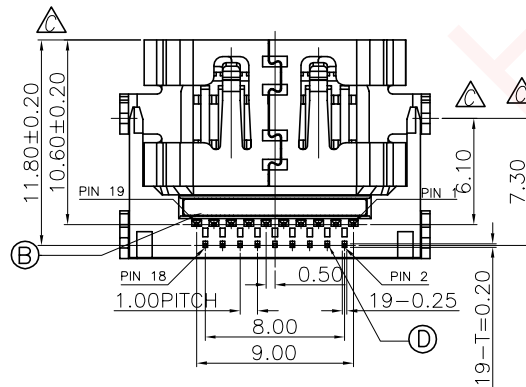
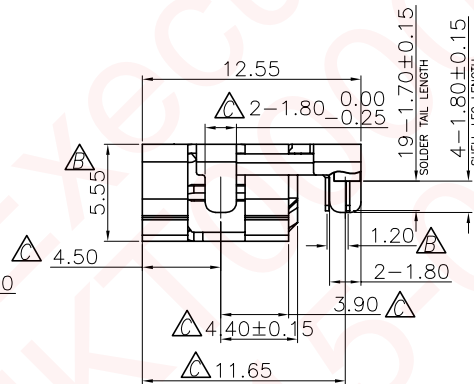
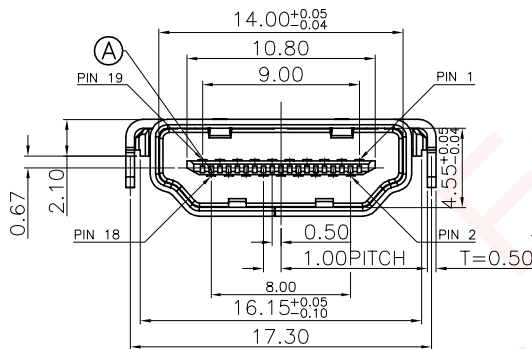
DECIMALS:	ANGLES:	TITLE	HDMI A TYPE FEMALE, DIP, SINKING, C.H=0.67mm	
X : ±0.1	X : ±2°	DWN	IVY-C 2015.05.14	PART NO. 2HE1714-000111F
X.X : ±0.1	X.X : ±1°	CHKD	ANGELA2015.05.14	SCALE: 1:1 UNIT: mm
X.XX : ±0.1		APVD	ANGELA2015.05.14	SIZE: A3 SHEET: 1 OF 1 REV: C

CUSTOMER COPY

高級專員	產品技術部 (HKT)
劉倫廷	范義美琴
2015/05/15 09:26:50	2015/05/15 09:37:38



3D VIEW



RECOMMENDED PCB LAYOUT(TOP VIEW)
(THICKNESS=1.2±0.10mm)
(TOLERANCE=±0.03mm)