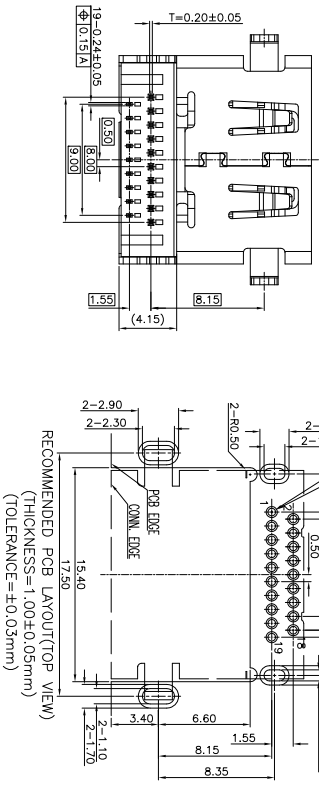
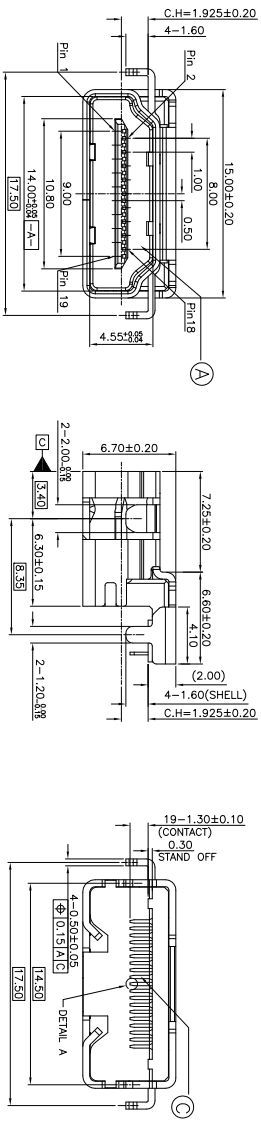
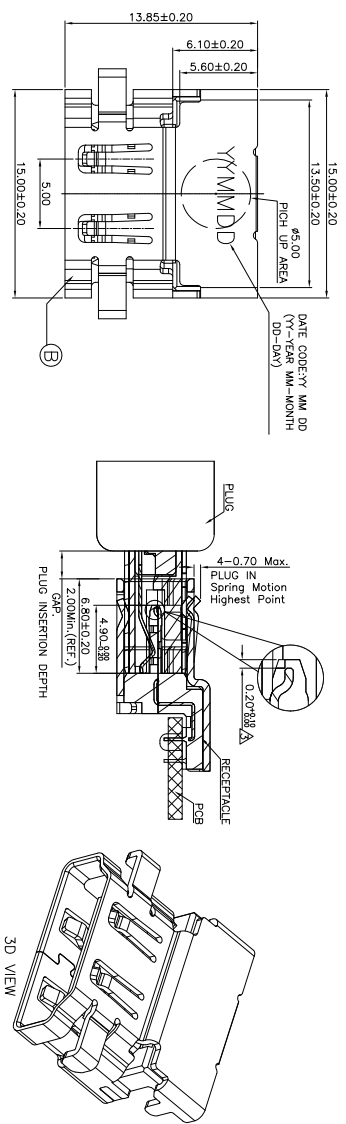


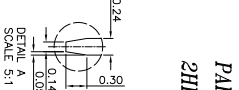
REV.	ECN NO.	OR DESCRIPTION	REVISED	DATE
A	PDR RELEASE	EVEN		2020.10.28



HDMI TYPE A PIN ASSIGNMENT

PIN	Signal Assignment
1	TMDS Data2+
2	TMDS Data2 Shield
3	TMDS Data2-
4	TMDS Data1+
5	TMDS Data1 Shield
6	TMDS Data1-
7	TMDS Data0+
8	TMDS Data0 Shield
9	TMDS Data0-
10	TMDS Clock+
11	TMDS Clock Shield
12	TMDS Clock-
13	CEC
14	Reserved (N.C. on device)
15	SCD
16	SDA
17	DDC/CEC Ground
18	+5V Power
19	Hot Plug Detect

- SPECIFICATIONS:
- ELECTRICAL CHARACTERISTICS:
    - CURRENT RATING: 0.5 AMP.
    - VOLTAGE RATING: 40V.
    - CONTACT RESISTANCE: 30mΩ MAX.
    - INSULATION RESISTANCE: 100MΩ MIN. @ 500V DC.
    - DIELECTRIC WITHSTANDING VOLTAGE: 500V AC FOR 1 MINUTE.
  - MECHANICAL CHARACTERISTICS:
    - INSERTION FORCE: 4.5kgf MAX.
    - WITHDRAWAL FORCE: 1.0~4.0kgf.
    - LIFE TEST: 10,000 CYCLES.
    - OTHER GENERAL SPEC. TO REFER "2HE1715-002311F SPEC".
    - TO CONFORM TO THE SINGATRON HAZARDOUS SUBSTANCE FREE SPEC.
    - HALOGEN FREE PRODUCT IDENTIFICATION LABEL ON PACKAGING.
    - PACKAGE: SEE "2HE1715-002311F" PACKAGE.
    - FOR REFLOW SOLDERING LEAD-FREE PROCESS.



SUFFIX: HALOGEN FREE  
 PACKAGE  
 1: TAPE AND REEL  
 HOUSING COLOR  
 1: BLACK  
 CONTACT PLATING

3: Au 5µ" ON CONTACT AREA  
 MATTE TIN 60-150µ", ON SOLDER AREA.  
 50µ" MIN.NICKEL UNDERPLATED OVERALL

D	INK	19	C2680	BLACK COLOR
C	CONTACT	1	SUS304	SEE PART NO.
B	SHELL	1	LCP U19-10	BLACK NICKEL PLATED 50µM/NIN
A	HOUSING	1	LCP U19-10	BLACK
NO	DESCRIPTION	QTY	MATERIAL	PLATING & COLOR

UNLESS OTHERWISE SPECIFIED TOLERANCES

DECIMALS:	ANGLES:
X : ±0.5	X : ±2°
X.X : ±0.3	X.X : ±1'
X.XX : ±0.2	

TITLE	HDMI A TYPE FEMALE, DIP, C.H=1.925mm
DWN	REV: 2020.10.28
CHKD	PART NO. 2HE1715-002311F
APVD	SCALE 1:1 UNIT: mm
	SIZE: A3 SHEET: 1 OF 1 REV:A

Singatron Enterprise Co., Ltd.  
 信登企業股份有限公司

CUSTOMER COPY