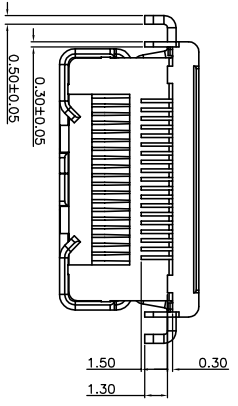
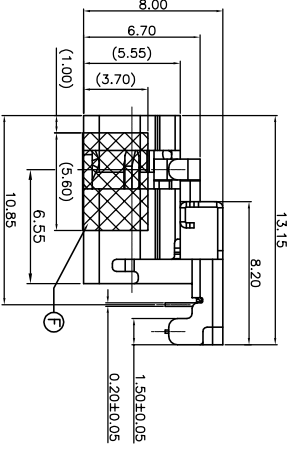
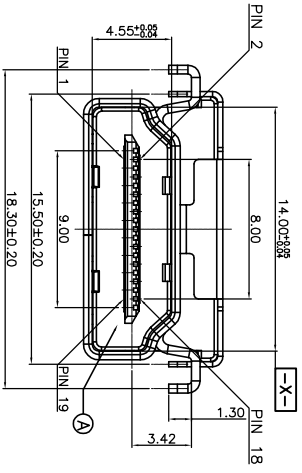
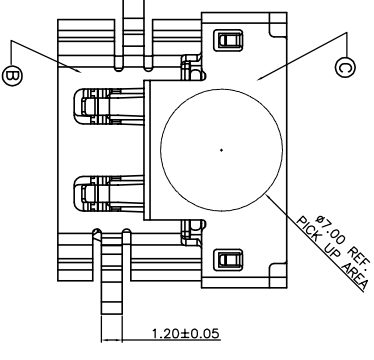
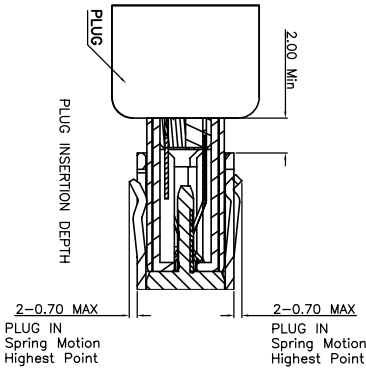
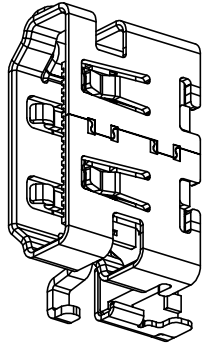


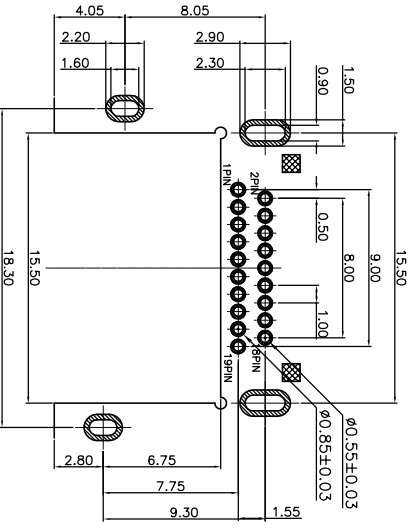
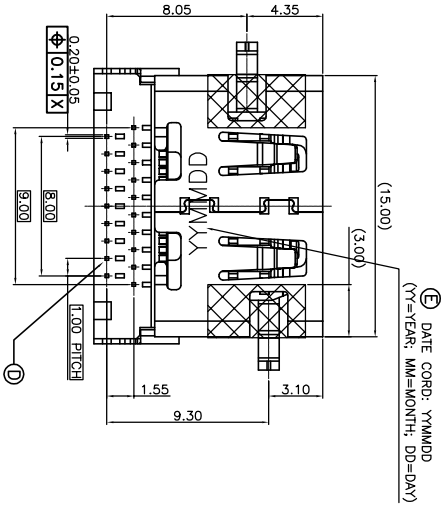
REV.	EGN NO.	OR DESCRIPTION	REVISED	DATE
A		PDR RELEASE	NY-C	2014.05.15

- SPECIFICATIONS:**
- ELECTRICAL CHARACTERISTICS:**
 - 1-1. CURRENT RATING: 0.5 AMP.
 - 1-2. VOLTAGE RATING: 40V.
 - 1-3. INITIAL CONTACT RESISTANCE EXCLUDING CONDUCTOR RESISTANCE: 10mΩ MAX (TARGET DESIGN VALUE). AFTER TEST: Δ 30mΩ MAX.
 - 1-4. INSULATION RESISTANCE: 100MΩ MIN. @ 500V DC.
 - 1-5. DIELECTRIC WITHSTANDING VOLTAGE: 500V AC FOR 1 MINUTE.
 - MECHANICAL CHARACTERISTICS:**
 - 2-1. INSERTION FORCE: 4.5Kgf MAX.
 - 2-2. WITHDRAWAL FORCE: 1.0~4.0Kgf.
 3. LIFE TEST: 10,000 CYCLES.
 4. OTHER GENERAL SPEC. TO REFER "HDMI SERIES SPEC".
 5. TO CONFORM TO THE SINGATRON HAZARDOUS SUBSTANCE FREE SPEC.
 6. HALOGEN FREE PRODUCT IDENTIFICATION LABEL ON PACKAGING.
 7. PACKAGE: SEE "2HE1726 SERIES" PACKAGE.
 8. FOR REFLOW SOLDERING LEAD-FREE PROCESS.



PART NO.
2HE1726-000111F

SUFFIX: HALOGEN FREE
 PACKAGE
 1: TAPE & REEL
 HOUSING COLOR
 1: BLACK
 CONTACT PLATING
 1: Au 5u" ON CONTACT AREA,
 GOLD FLASH PLATED ON SOLDER AREA
 NICKEL PLATED 50~100u" OVER ALL



RECOMMENDED PCB LAYOUT(TOP VIEW)
 (THICKNESS=1.2±0.05mm)
 (TOLERANCE=±0.05mm)
 STAND OFF

DATE CORR: YYMMDD
 (Y=YEAR; MM=MONTH; DD=DAY)

F	WYLAR	2	YELLOW
E	INK		BLACK
D	CONTACT	19	SEE PART NO.
C	SHELL2	1	SUS304-1/2H 0.3t NICKEL 50~100u"
B	SHELL-1	1	SUS304-1/4H 0.5t NICKEL 50~100u"
A	HOUSING	1	LCP E130; U194V-0 BLACK
NO	DESCRIPTION	QTY	MATERIAL
UNLESS OTHERWISE SPECIFIED TOLERANCES			
DECIMALS: ANGLES:			
X	:±0.5	X	:±2°
X.X	:±0.3	X.X	:±1'
X.XX	:±0.2		
TITLE	HDMI A TYPE FEMALE, REVERSE, DIP, CH=-3.42		
DWN	HW-C-2014.05.15 PART NO. 2HE1726-000111F		
CHKD	SCALE:N/A	UNIT: mm	
APVD	JAN2014/05.15	SIZE: A3	SHEET: 1 OF 1 REV: A

Singatron Enterprise Co., Ltd.
 信登企業股份有限公司

CUSTOMER COPY