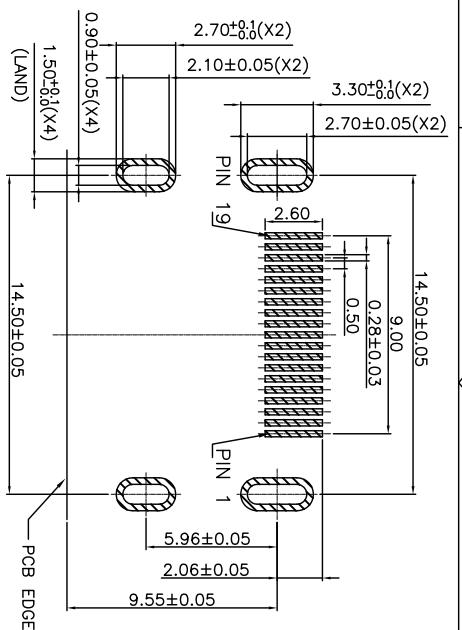
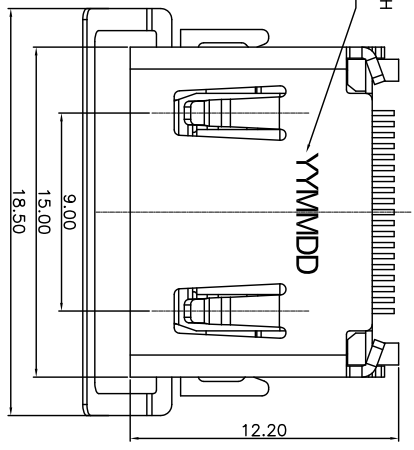
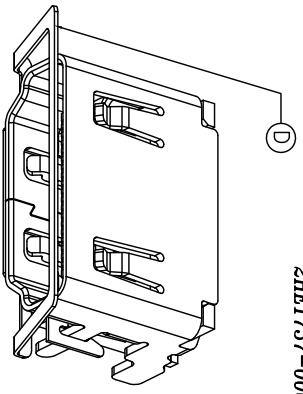
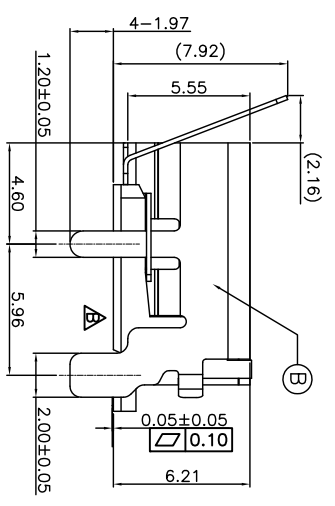
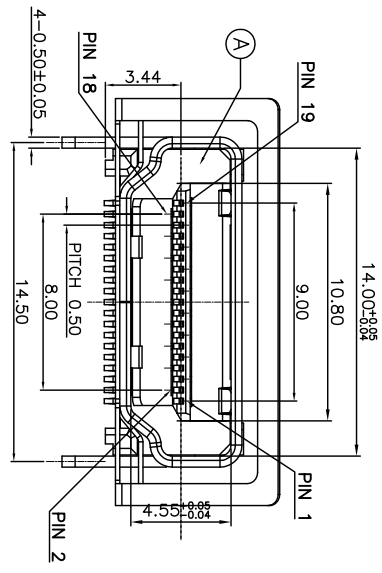


DATE COR:
 YY=YEAR
 MM=MONTH
 DD=DAY



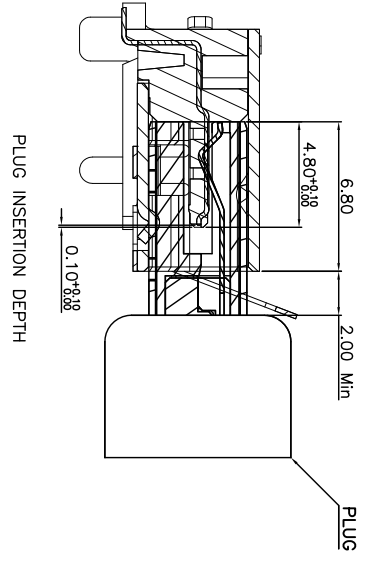
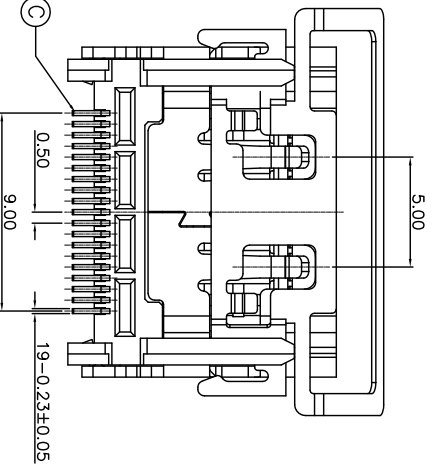
RECOMMENDED PCB LAYOUT (1.4t)
 TOP VIEW (TOLERANCE=±0.03mm)



3D VIEW

PART NO.
 2HE1737-000111F

- SUFFIX: HALOGEN FREE
- PACKAGE
- 1: TAPE & REEL
- HOUSING COLOR
- 1: BLACK
- CONTACT PLATING
- 1: GOLD FLASH ON CONTACT AREA, MATTE TIN ON SOLDER AREA



SPECIFICATIONS:

1. ELECTRICAL CHARACTERISTICS:
 - 1-1. CURRENT RATING: 0.5 AMP.
 - 1-2. VOLTAGE RATING: 40V
 - 1-3. CONTACT RESISTANCE: 30mΩ MAX.
 - 1-4. INSULATION RESISTANCE: 100MΩ MIN. @ 500V DC.
 - 1-5. DIELECTRIC WITHSTANDING VOLTAGE: 500V AC FOR 1 MINUTE.
2. MECHANICAL CHARACTERISTICS:
 - 2-1. INSERTION FORCE: 4.5Kgf MAX.
 - 2-2. WITHDRAWAL FORCE: 0.5~4.0Kgf.
3. LIFE TEST: 2,000 CYCLES.
4. OTHER GENERAL SPEC. TO REFER "2HE1737 SERIES SPEC".
5. TO CONFORM TO THE SINGATRON HAZARDOUS SUBSTANCE FREE SPEC.
6. HALOGEN FREE PRODUCT IDENTIFICATION LABEL ON PACKAGING.
7. PACKAGE: SEE "2HE1737 SERIES" PACKAGE.
8. FOR REFLOW SOLDERING LEAD-FREE PROCESS.

REV.	ECN NO OR DESCRIPTION	REVISED	DATE
A	PDR RELEASE	Even	2015.01.07
B	ECN NO: L150008	IV-C	2015.01.20
C	ECN NO: L150130	IV-C	2015.11.17

E	INK	1	SUS301R; 0.20t	BLACK
D	EMI SPRING			
C	CONTACT	19	C2680R-H; 0.20t	SEE PART NO.
B	SHELL	1	C2680-H; 0.5t	NICKEL 50u" MIN.
A	HOUSING	1	LCP E130; UL94V-0	BLACK
NO	DESCRIPTION	QTY	MATERIAL	PLATING & COLOR

UNLESS OTHERWISE SPECIFIED TOLERANCES

Singatron Enterprise Co., Ltd.
 信音企業股份有限公司

HDMI A TYPE FEMALE, SMT

TITLE	HW-C 2015.11.17	PART NO. 2HE1737-000111F
DWN	SCALE: N/A	UNIT: mm
CHKD	SCALE: N/A	UNIT: mm
APVD	SIZE: A3	SHEET: 1 OF 1

DECIMALS: ANGLES:
 X :±0.5 X :±2
 X.X :±0.3 X.X :±1'
 X.XX :±0.2

CUSTOMER COPY