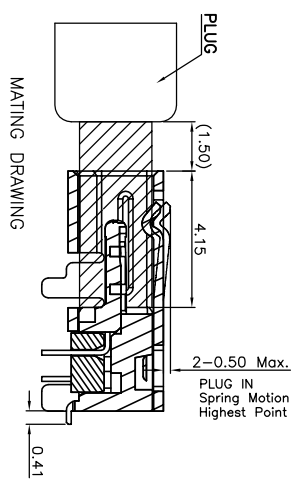
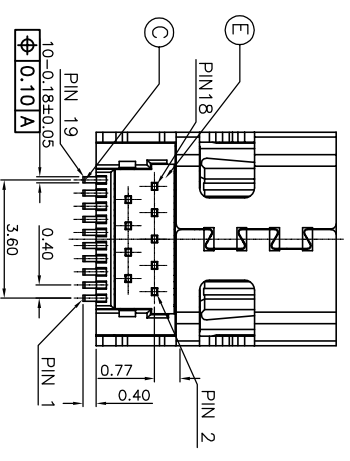
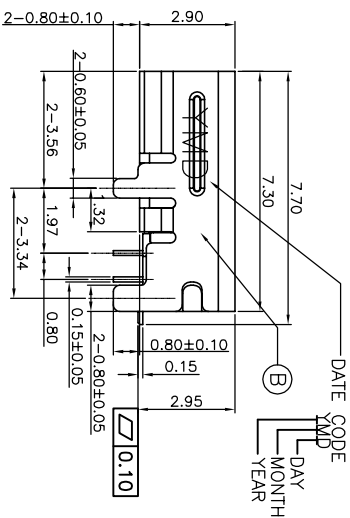
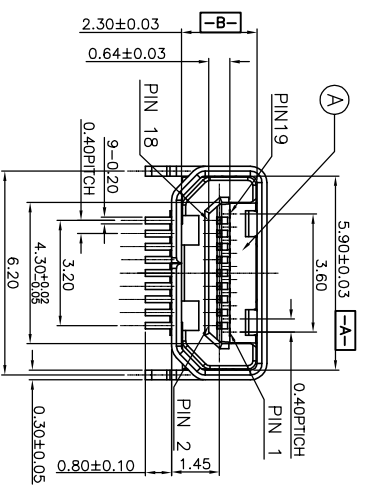


RECOMMENDED PCB LAYOUT THICKNESS = 0.8 mm
TOLERANCE = ±0.05 (TOP VIEW)



REV.	ECN NO.	OR DESCRIPTION	REVISED	DATE
A	PDR RELEASE		IV-C	2016.02.02
B	CN NO: L170116		EVEN	2017.11.29

SPECIFICATIONS:

- ELECTRICAL CHARACTERISTICS:**
 - 1-1. CURRENT RATING: 0.3 AMP.
 - 1-2. VOLTAGE RATING: 40V.
 - 1-3. CONTACT RESISTANCE: 30mΩ MAX.
 - 1-4. INSULATION RESISTANCE: 100MΩ MIN. @ 500V DC.
 - 1-5. DIELECTRIC WITHSTANDING VOLTAGE: 250V AC FOR 1 MINUTE.
- MECHANICAL CHARACTERISTICS:**
 - 2-1. INSERTION FORCE: 4.5kgf MAX.
 - 2-2. WITHDRAWAL FORCE: 0.5~2.5kgf.
- LIFE TEST:** 5,000 CYCLES
- OTHER GENERAL SPEC:** TO REFER "HDMI SERIES SPEC."
- TO CONFORM TO THE SINGATRON HAZARDOUS SUBSTANCE FREE SPEC.**
- HALOGEN FREE PRODUCT IDENTIFICATION LABEL ON PACKAGING:**
- PACKAGE:** SEE "ZHE739 SERIES" PACKAGE.
- FOR REFLOW SOLDERING LEAD-FREE PROCESS.**

PART NO.
ZHE739-000111F

SHELL PLATING: "0: NICKEL PLATED 50~100u"
SUFFIX: HALOGEN FREE
PACKAGE: 1: TAPE & REEL
HOUSING COLOR: 1: BLACK
CONTACT PLATING: 1: GOLD FLASH PLATED ON CONTACT AREA
2: GOLD FLASH ON SOLDER TAILS
3: 60~150u" NICKEL UNDERPLATE OVER ALL

NO	DESCRIPTION	QTY	MATERIAL	PLATING & COLOR
E	COVER	1	LCP E130: GF UL94V-0	BLACK
D	M1LAR	1		YELLOW
C	CONTACT	19	C5191R-H 0.15t	SEE PART NO.
B	SHELL	1	SUS304-1/2H 0.3t	SEE PART NO.
A	HOUSING	1	LCP E130: GF UL94V-0	BLACK
UNLESS OTHERWISE SPECIFIED TOLERANCES				
DECIMALS:	ANGLES:			
X : ±0.5	X : ±2			
XX : ±0.3	X.X : ±1			
X.XX : ±0.2				
TITLE: HDMI TYPE D FEMALE				
DWN	EHN 2017.11.29 PART NO. ZHE739-000111F			
CHKD	WPHNC 2017.11.29 SCALE N/A UNIT: mm			
APVD	WPHNC 2017.11.29 SIZE: A3 SHEET: 1 OF 1 RBV: B			
CUSTOMER COPY				