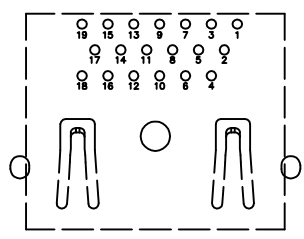
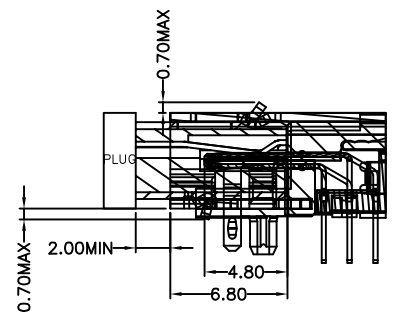
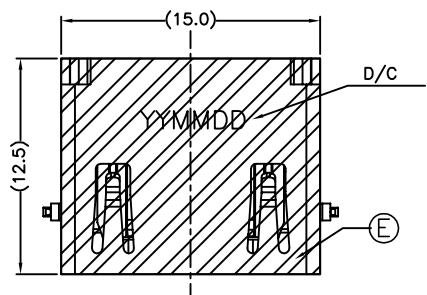
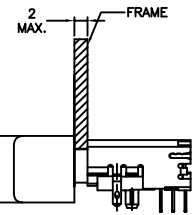
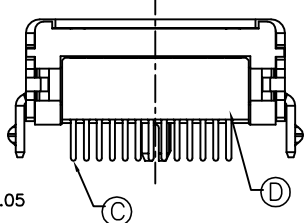
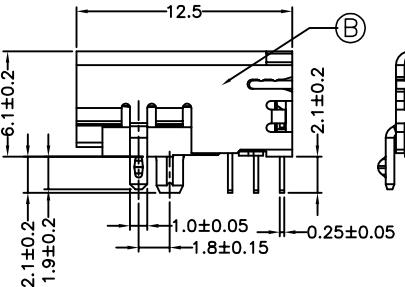
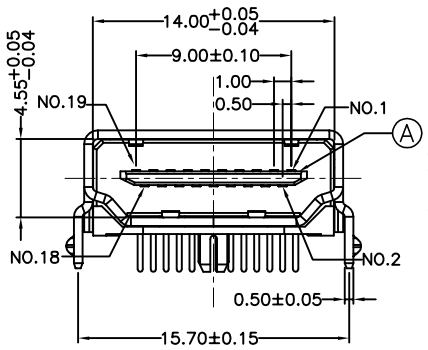


REV.	ECN NO OR DESCRIPTION	REVISED	DATE
A	PDR RELEASE	IVY-C	2016.03.31



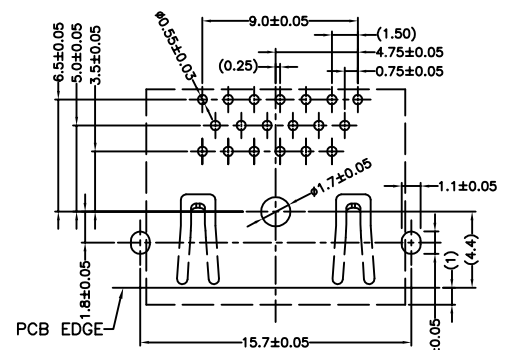
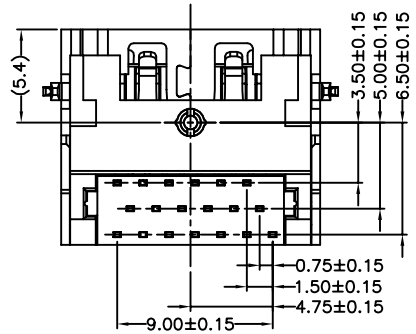
**SPECIFICATIONS:**

- ELECTRICAL CHARACTERISTICS:**
  - CURRENT RATING: 0.5 AMP.
  - VOLTAGE RATING: 40V.
  - INITIAL CONTACT RESISTANCE EXCLUDING CONDUCTOR RESISTANCE: 10mΩ MAX (TARGET DESIGN VALUE). AFTER TEST: Δ30mΩ MAX.
  - INSULATION RESISTANCE: 100MΩ MIN. @ 500V DC.
  - DIELECTRIC WITHSTANDING VOLTAGE: 500V AC FOR 1 MINUTE.
- MECHANICAL CHARACTERISTICS:**
  - INSERTION FORCE: 4.5Kgf MAX.
  - WITHDRAWAL FORCE: 1.0~4.0Kgf.(INITIAL) 0.5~4.0kg.(AFTER LIFE TEST)
- LIFE TEST: 5,000 CYCLES.
- OTHER GENERAL SPEC. TO REFER "2HE1750 SERIES SPEC".
- TO CONFORM TO THE SINGATRON HAZARDOUS SUBSTANCE FREE SPEC.
- HALOGEN FREE PRODUCT IDENTIFICATION LABEL ON PACKAGING:
- PACKAGE: SEE "2HE1750-000111F" PACKAGE.
- FOR REFLOW SOLDERING LEAD-FREE PROCESS.



**PART NO.**  
**2HE1750-000111F**

- SUFFIX: HALOGEN FREE
- PACKAGE
- 1: TRAY
- HOUSING COLOR
- 1: BLACK
- CONTACT PLATING
- 1: GOLD FLASH ON CONTACT AREA
- TIN PLATED ON SOLDER AREA
- NI UNDER PLATING OVERALL



**RECOMMENDED PCB LAYOUT**  
(THICKNESS=1.6±0.15mm)

E	MYLAR	1		BLACK
D	COVER	1	LCP UL 94V-0	BLACK
C	CONTACT	19	COPPER ALLOY	SEE PART NO.
B	SHELL	1	COPPER ALLOY	NICKEL PLATED
A	HOUSING	1	LCP UL 94V-0	BLACK
NO	DESCRIPTION	QTY	MATERIAL	PLATING & COLOR

UNLESS OTHERWISE SPECIFIED TOLERANCES

Singatron Enterprise Co., Ltd.  
信音企業股份有限公司

DECIMALS:	ANGLES:	TITLE	HDMI A TYPE FEMALE, DIP TYPE	
X :±0.5	X :±2°	DWN	IV-C 2016.03.31	PART NO. 2HE1750-000111F
X.X :±0.3	X.X :±1°	CHKD	ANCEA 2016.03.31	SCALE:3.3:1 UNIT: mm
X.XX :±0.2		APVD	ANCEA 2016.03.31	SIZE: A3 SHEET:1 OF 1 REV: A

**CUSTOMER COPY**