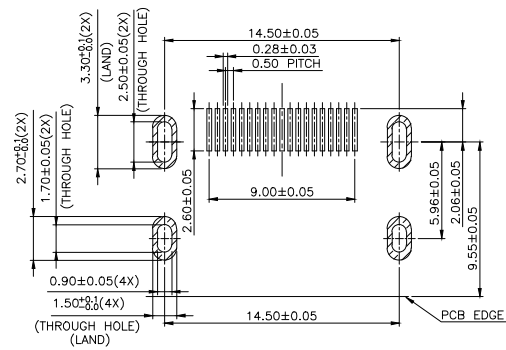
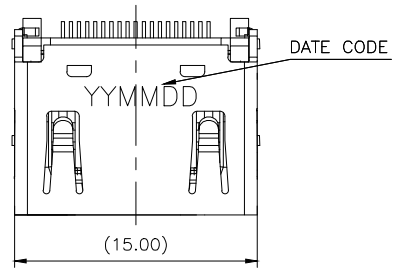


REV.	ECN NO OR DESCRIPTION	REVISED	DATE
A	PDR RELEASE	IVY-C	2016.07.11
B	ECN NO: L202312-C05	EVEN	2024.01.31

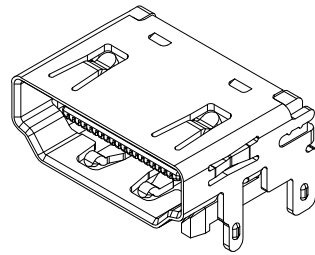


RECOMMENDED P.C.B. LAYOUT (T:1.20mm)
TOLERANCE UNSPECIFIED ±0.05mm

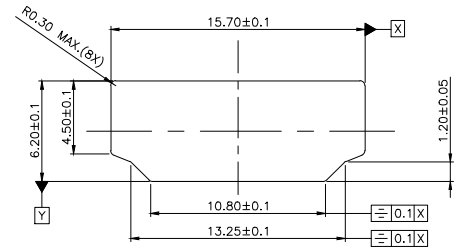
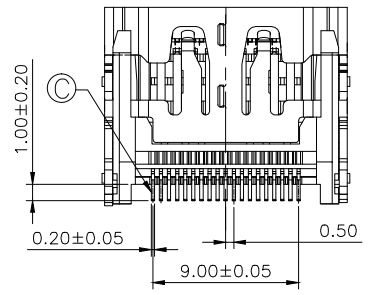
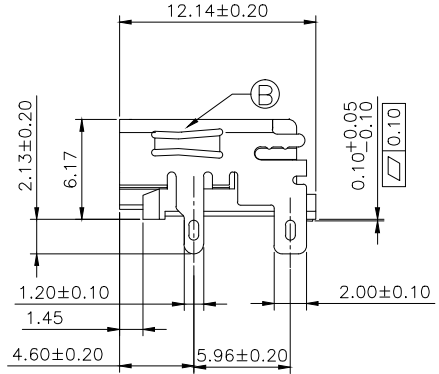
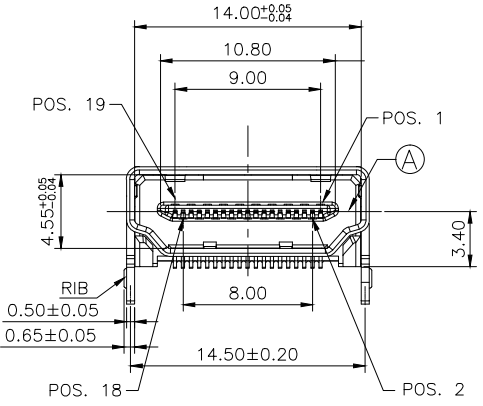
SPECIFICATIONS:

- ELECTRICAL CHARACTERISTICS:
 - CURRENT RATING: 0.5 AMP.
 - VOLTAGE RATING: 40V.
 - INITIAL CONTACT RESISTANCE EXCLUDING CONDUCTOR RESISTANCE: 10mΩ MAX (TARGET DESIGN VALUE). AFTER TEST: Δ30mΩ MAX.
 - INSULATION RESISTANCE: 100MΩ MIN. @ 500V DC.
 - DIELECTRIC WITHSTANDING VOLTAGE: 500V AC FOR 1 MINUTE.
- MECHANICAL CHARACTERISTICS:
 - INSERTION FORCE: 4.5Kgf MAX.
 - WITHDRAWAL FORCE: 1.0~4.0Kgf. (INITIAL) 0.5~4.0kg. (AFTER LIFE TEST)
- LIFE TEST: 5,000 CYCLES.
- OTHER GENERAL SPEC. TO REFER "2HE1753-000111F SPEC".
- TO CONFORM TO THE SINGATRON HAZARDOUS SUBSTANCE FREE SPEC.
- HALOGEN FREE PRODUCT IDENTIFICATION LABEL ON PACKAGING:
- PACKAGE: SEE "2HE1753 SERIES" PACKAGE.
- FOR REFLOW SOLDERING LEAD-FREE PROCESS.

PART NO.
2HE1753-000111F



- SUFFIX: HALOGEN FREE
- PACKAGE: 1: TAPE AND REEL
- HOUSING COLOR: 1: BLACK
- CONTACT PLATING: 1: GOLD FLASH ON CONTACT AREA, MATTE TIN ON SOLDER AREA, NI UNDER PLATING OVERALL



RECOMMENDED PANEL CUT OUT DIMENSION

C	CONTACT	19	C2680	SEE PART NO.
B	SHELL	1	C2680	NICKEL PLATED
A	HOUSING	1	LCP UL 94V-0	BLACK
NO	DESCRIPTION	QTY	MATERIAL	PLATING & COLOR

UNLESS OTHERWISE SPECIFIED TOLERANCES		Singatron Enterprise Co., Ltd. 信音企業股份有限公司		
DECIMALS:	ANGLES:	TITLE	HDMI A TYPE FEMALE, DIP TYPE	
X :±0.5	X :±2°	DWN	EVEN 2024.01.31	PART NO. 2HE1753-000111F
X.X :±0.3	X.X :±1°	CHKD	SCALE 3.3:1	UNIT: mm
X.XX :±0.2		APVD	TERESA 2024.01.31	SIZE: A3 SHEET: 1 OF 1 REV: B
CUSTOMER COPY				