

| REV. | ECN NO OR DESCRIPTION | REVISED | DATE       |
|------|-----------------------|---------|------------|
| A    | PDR RELEASE           | IYY-C   | 2016.07.18 |
| B    | ECN NO: L160100       | IYY-C   | 2016.10.17 |
| C    | ECN NO: L160135/147   | IYY-C   | 2017.01.20 |

**SPECIFICATIONS:**

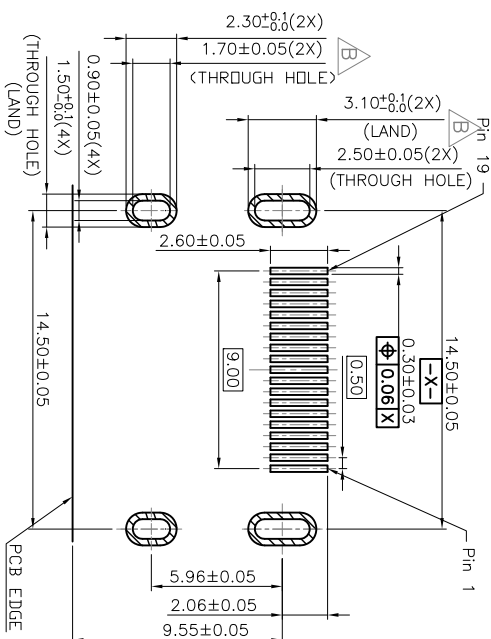
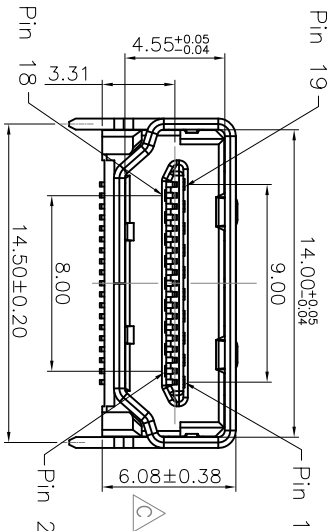
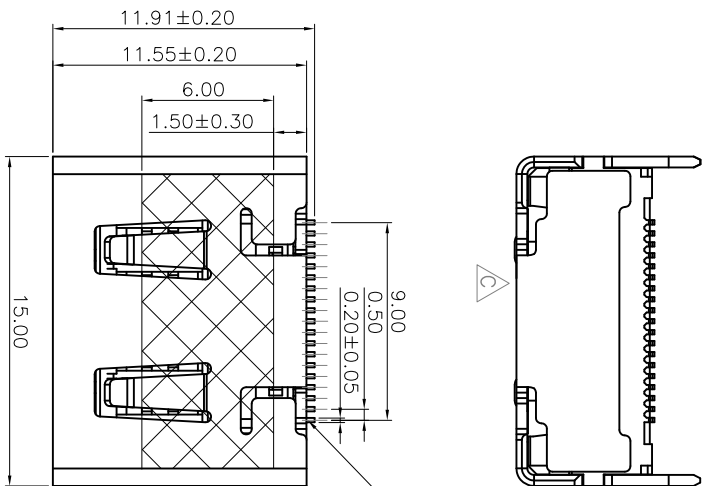
- ELECTRICAL CHARACTERISTICS:
  - CURRENT RATING: 0.5 AMP.
  - VOLTAGE RATING: 40V.
  - INITIAL CONTACT RESISTANCE EXCLUDING CONDUCTOR RESISTANCE: 10mΩ MAX (TARGET DESIGN VALUE). AFTER TEST:  $\Delta$ 30mΩ MAX.
  - INSULATION RESISTANCE: 100MΩ MIN. @ 500V DC.
  - DIELECTRIC WITHSTANDING VOLTAGE: 500V AC FOR 1 MINUTE.
- MECHANICAL CHARACTERISTICS:
  - INSERTION FORCE: 4.5kgf MAX.
  - WITHDRAWAL FORCE: 1.0~4.0kgf (INITIAL) 0.5~4.0kgf (AFTER LIFE TEST)
  - LIFE TEST: 5,000 CYCLES.
  - OTHER GENERAL SPEC. TO REFER "ZHE1759-000111F SPEC".
  - TO CONFORM TO THE SINGATRON HAZARDOUS SUBSTANCE FREE SPEC.
  - HALOGEN FREE PRODUCT IDENTIFICATION LABEL ON PACKAGING.
  - PACKAGE: SEE "ZHE1759-000111F" PACKAGE.
  - FOR REFLOW SOLDERING LEAD-FREE PROCESS.



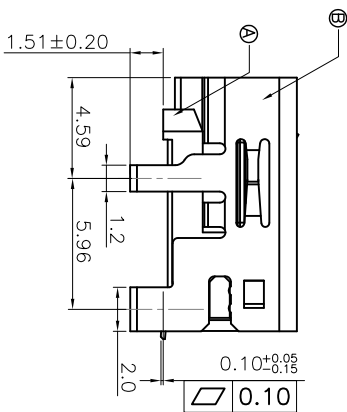
**PART NO.**

ZHE1759-000111F

- SUFFIX: HALOGEN FREE
- PACKAGE
- 1: TAPE AND REEL
- HOUSING COLOR
- 1: BLACK
- CONTACT PLATING
- 1: GOLD FLASH ON CONTACT AREA, MATTE TIN ON SOLDER AREA, NI UNDER PLATING OVERALL



RECOMMENDED P.C.B. LAYOUT (I:1.60mm)  
TOLERANCE UNSPECIFIED  $\pm$ 0.05mm



| C  | CONTACT     | 19  | C2680        | SEE "PART NO"   |                   |            |                 |
|--|-------------|-----|--------------|-----------------|-------------------|------------|-----------------|
| B  | SHELL       | 1   | C5191        | NICKEL          |                   |            |                 |
| A  | HOUSING     | 1   | LCP UL 94V-0 | BLACK           |                   |            |                 |
| NO   | DESCRIPTION |     | MATERIAL     | PLATING & COLOR |                   |            |                 |
| UNLESS OTHERWISE SPECIFIED TOLERANCES                |             |     |              |                 |                   |            |                 |
| Singatron Enterprise Co., Ltd.<br>信晉企業股份有限公司         |             |     |              |                 |                   |            |                 |
| DECIMALS: ANGLES: TITLE HDMI A TYPE FEMALE, SMT TYPE |             |     |              |                 |                   |            |                 |
| X  | $\pm$ 0.5   | X   | $\pm$ 2°     | DWN             | HW-C-2017.01.20   | PART NO.   | ZHE1759-000111F |
| X.X  | $\pm$ 0.3   | X.X | $\pm$ 1°     | CHKD            | ANGELA 2017.10.20 | SCALE: 3:1 | UNIT: mm        |
| X:XX   | $\pm$ 0.2   |     |              | APVD            | ANGELA 2017.10.20 | SIZE: A3   | SHEET: 1 OF 1   |
| REV: C   |             |     |              |                 |                   |            |                 |
| CUSTOMER COPY  |             |     |              |                 |                   |            |                 |