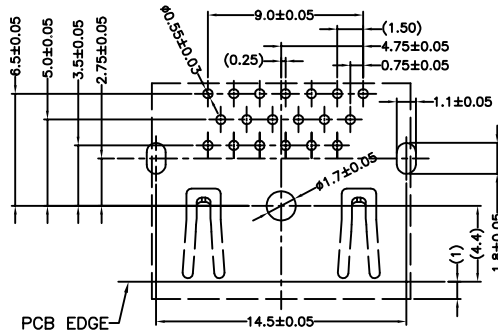
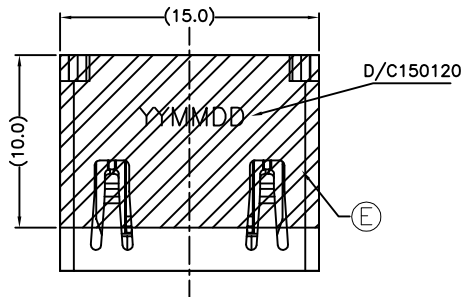



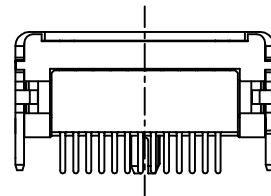
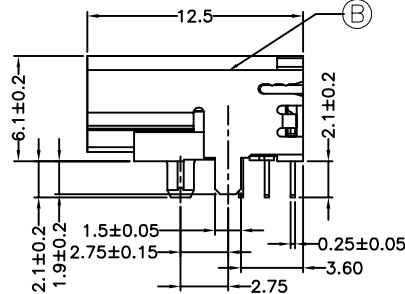
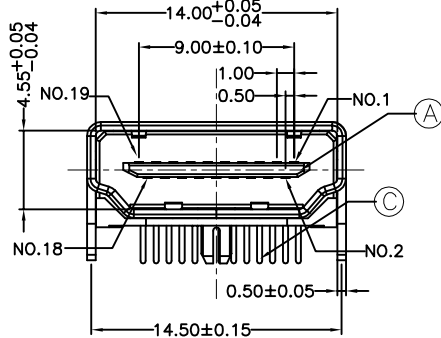
REV.	ECN NO OR DESCRIPTION	REVISED	DATE
A	PDR RELEASE	IVY-C	2016.01.21



RECOMMENDED PCB LAYOUT
(THICKNESS=1.6±0.15mm)

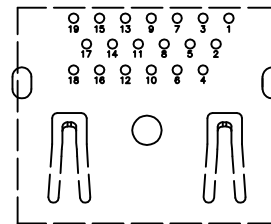
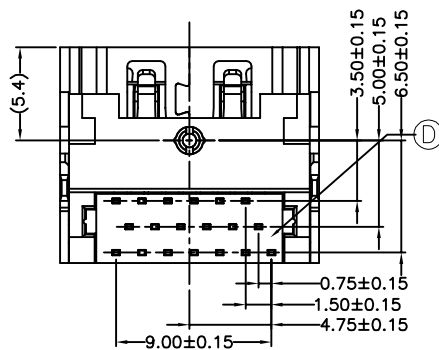
SPECIFICATIONS:

- ELECTRICAL CHARACTERISTICS:
 - CURRENT RATING: 0.5 AMP.
 - VOLTAGE RATING: 40V.
 - INITIAL CONTACT RESISTANCE EXCLUDING CONDUCTOR RESISTANCE: 10mΩ MAX (TARGET DESIGN VALUE). AFTER TEST: Δ30mΩ MAX.
 - INSULATION RESISTANCE: 100MΩ MIN. @ 500V DC.
 - DIELECTRIC WITHSTANDING VOLTAGE: 500V AC FOR 1 MINUTE.
- MECHANICAL CHARACTERISTICS:
 - INSERTION FORCE: 4.5Kgf MAX.
 - WITHDRAWAL FORCE: 1.0~4.0Kgf.(INITIAL) 0.5~4.0kg.(AFTER LIFE TEST)
- LIFE TEST: 5,000 CYCLES.
- OTHER GENERAL SPEC. TO REFER "2HE1760 SERIES SPEC".
- TO CONFORM TO THE SINGATRON HAZARDOUS SUBSTANCE FREE SPEC.
- HALOGEN FREE PRODUCT IDENTIFICATION LABEL ON PACKAGING: 
- PACKAGE: SEE "2HE1760 SERIES" PACKAGE.
- FOR REFLOW SOLDERING LEAD-FREE PROCESS.

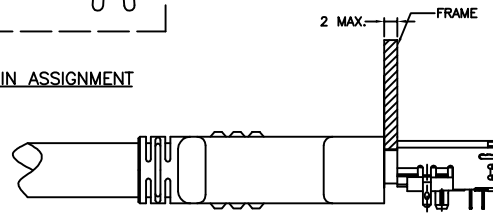


PART NO.
2HE1760-000111F

- SUFFIX: HALOGEN FREE
- PACKAGE: 1: TAPE & REEL
- HOUSING COLOR: 1: BLACK
- CONTACT PLATING: 1: GOLD FLASH ON CONTACT AREA, TIN PLATED ON SOLDER AREA, Ni 50u" MIN UNDER PLATING OVERALL




PIN ASSIGNMENT



REFERENCE MOUNT DIMENSION

NO	DESCRIPTION	QTY	MATERIAL	PLATING & COLOR
E	MYLAR	1		BLACK
D	COVER	1	LCP UL 94V-0	BLACK
C	CONTACT	19	COPPER ALLOY	SEE PART NO.
B	SHELL	1	COPPER ALLY	NICKEL PLATED
A	HOUSING	1	LCP UL 94V-0	BLACK

UNLESS OTHERWISE SPECIFIED TOLERANCES		 Singatron Enterprise Co., Ltd. 信音企業股份有限公司		
DECIMALS:	ANGLES:	TITLE	HDMI A TYPE FEMALE, DIP TYPE	
X :±0.5	X :±2°	DWN	NY-C 2016.01.21	PART NO. 2HE1760-000111F
XX :±0.3	XX :±1°	CHKD	ANGELAZ2016.01.21	SCALE:3.3:1 UNIT: mm
XXX :±0.2		APVD	ANGELAZ2016.01.21	SIZE: A3 SHEET:1 OF 1 REV: A
CUSTOMER COPY				