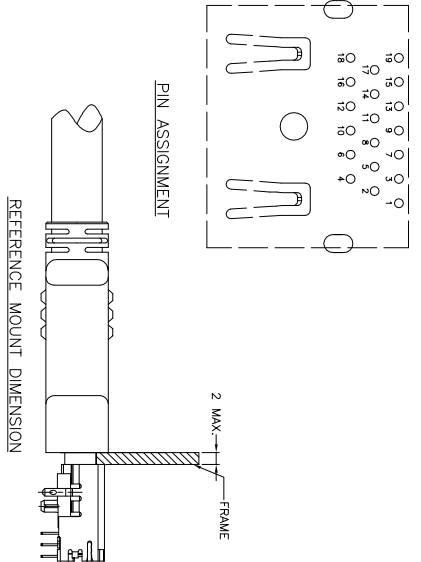
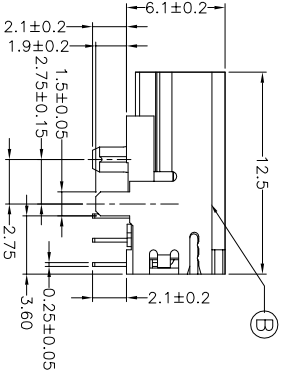
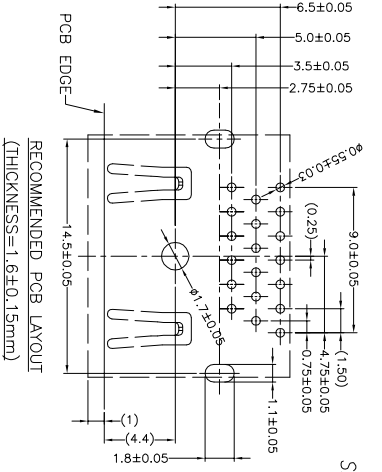
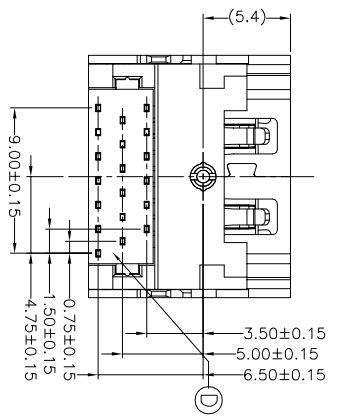
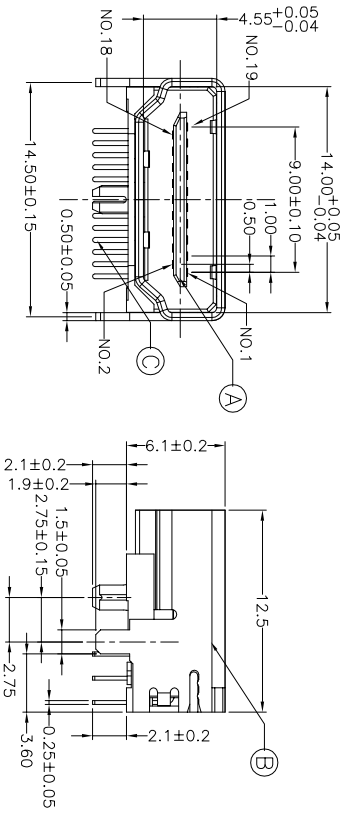
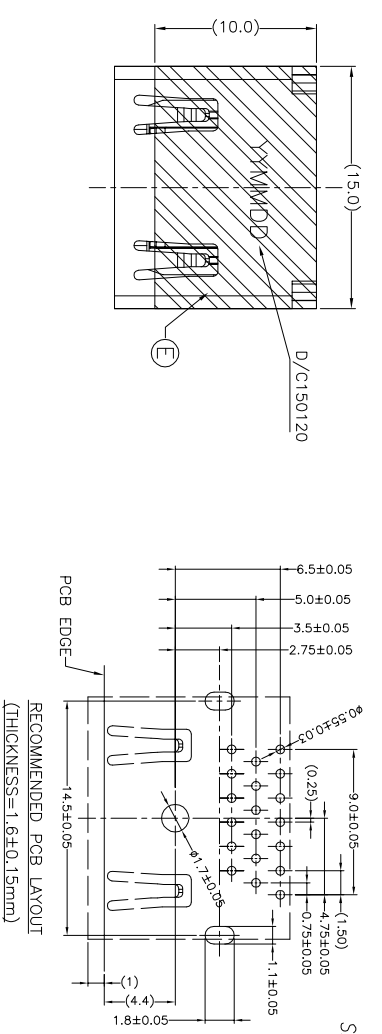


REV.	ECN NO OR DESCRIPTION	REVISED	DATE
A	PDR RELEASE	EVEN	2017.10.02



SPECIFICATIONS:

- ELECTRICAL CHARACTERISTICS:**
 - 1-1. CURRENT RATING: 0.5 AMP.
 - 1-2. VOLTAGE RATING: 40V.
 - 1-3. INITIAL CONTACT RESISTANCE EXCLUDING CONDUCTOR RESISTANCE: 10mΩ MAX (TARGET DESIGN VALUE). AFTER TEST: Δ 30mΩ MAX.
 - 1-4. INSULATION RESISTANCE: 100MΩ MIN. @ 500V DC.
 - 1-5. DIELECTRIC WITHSTANDING VOLTAGE: 500V AC FOR 1 MINUTE.
- MECHANICAL CHARACTERISTICS:**
 - 2-1. INSERTION FORCE: 4.5kgf MAX.
 - 2-2. WITHDRAWAL FORCE: 1.0~4.0kgf (INITIAL) 0.5~4.0kgf (AFTER LIFE TEST)
- LIFE TEST:** 5,000 CYCLES.
- OTHER GENERAL SPEC. TO REFER "2HE1760 SERIES SPEC."**
- TO CONFORM TO THE SINGATRON HAZARDOUS SUBSTANCE FREE SPEC.**
- HALOGEN FREE PRODUCT IDENTIFICATION LABEL ON PACKAGING:**
- PACKAGE:** SEE "2HE1760-0001122F" PACKAGE.
- FOR REFLOW SOLDERING LEAD-FREE PROCESS.**



PART NO.
2HE1760-0001122F

- SUFFIX: HALOGEN FREE
- PACKAGE
- TRAY
- HOUSING COLOR
- 1: BLACK
- CONTACT PLATING
- 1: GOLD FLASH ON CONTACT AREA
- TIN PLATED ON SOLDER AREA
- Ni 50μ" MIN UNDER PLATING OVERALL

NO	DESCRIPTION	QTY	MATERIAL	PLATING & COLOR
E	W/LAR	1		BLACK
D	COVER	1	LCP UL 94V-0	BLACK
C	CONTACT	19	COPPER ALLOY	SEE PART NO.
B	SHELL	1	COPPER ALLOY	NICKEL PLATED
A	HOUSING	1	LCP UL 94V-0	BLACK

UNLESS OTHERWISE SPECIFIED TOLERANCES

DECIMALS:	ANGLES:
X :±0.5	X :±2°
X.X :±0.3	X.X :±1°
X.XX :±0.2	

TITLE: HDMI A TYPE FEMALE, DIP TYPE

DRAWN: [Signature] DATE: 2017.10.02
PART NO. 2HE1760-0001122F

CHKD: [Signature] SCALE: 3:1 UNIT: mm

APVD: [Signature] SIZE: A3 SHEET: 1 OF 1 REV: A

CUSTOMER COPY

Singatron Enterprise Co., Ltd.
信音企業股份有限公司