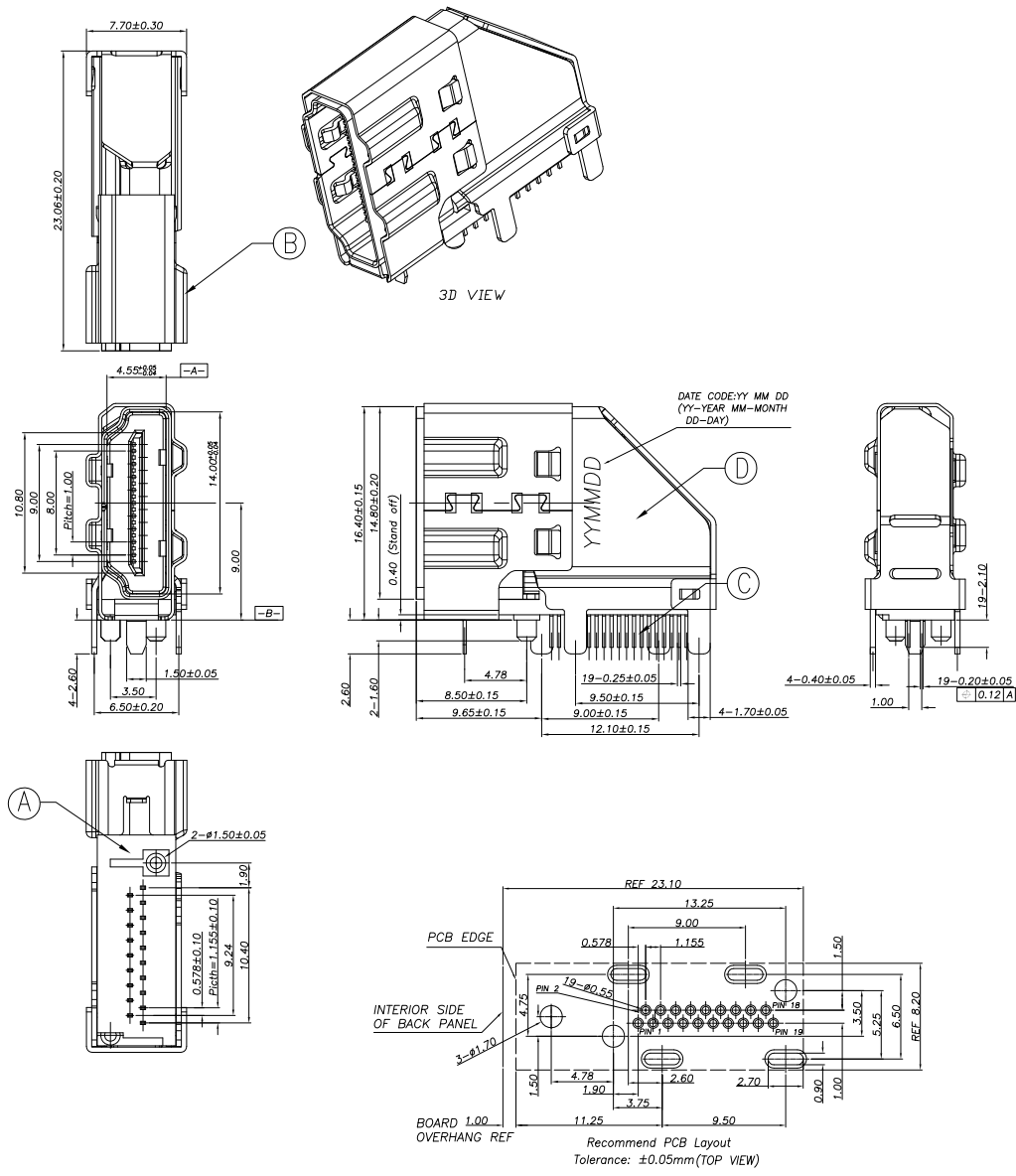


REV.	ECN NO OR DESCRIPTION	REVISED	DATE
A	ECN NO.L202008-C06	EVEN	2020.09.25



SPECIFICATIONS:

- ELECTRICAL CHARACTERISTICS:**
 - CURRENT RATING: 0.5 AMP.
 - VOLTAGE RATING: 40V.
 - INITIAL CONTACT RESISTANCE EXCLUDING CONDUCTOR RESISTANCE: 10mΩ MAX (TARGET DESIGN VALUE). AFTER TEST: Δ30mΩ MAX.
 - INSULATION RESISTANCE: 100MΩ MIN. @ 500V DC.
 - DIELECTRIC WITHSTANDING VOLTAGE: 500V AC FOR 1 MINUTE.
- MECHANICAL CHARACTERISTICS:**
 - INSERTION FORCE: 4.5Kgf MAX.
 - WITHDRAWAL FORCE: 1.0~4.0Kgf.
- LIFE TEST:** 10,000 CYCLES.
- OPERATING TEMPERATURE:** -25°C TO +85°C.
- OTHER GENERAL SPEC.** TO REFER "HDMI SERIES SPEC".
- TO CONFORM TO THE SINGATRON HAZARDOUS SUBSTANCE FREE SPEC.**
- HALOGEN FREE PRODUCT IDENTIFICATION LABEL ON PACKAGING:**
- PACKAGE:** SEE "2HE1761 SERIES" PACKAGE.
- FOR REFLOW SOLDERING LEAD-FREE PROCESS.**

PART NO.

2HE1761-000311F

- SUFFIX:** HALOGEN FREE
- PACKAGE:** 1: TAPE AND REEL
- HOUSING COLOR:** 1: BLACK
- CONTACT PLATING:**
 - 3: Au 15u" ON CONTACT AREA, 80u~200u" MATTE TIN ON SOLDER AREA, 60u~150u" NICKEL UNDERPLATED OVERALL

D	SHELL	1	SUS304-1/2H	Ni 50u" PLATING ALL OVER
C	CONTACT	19	C2680R-H	SEE PART NO.
B	OUT SHELL	1	SUS304-1/2H	Ni 50u" PLATING ALL OVER
A	HOUSING	1	LCP E1301 UL94V-0	BLACK
NO	DESCRIPTION	QTY	MATERIAL	PLATING & COLOR

UNLESS OTHERWISE SPECIFIED TOLERANCES

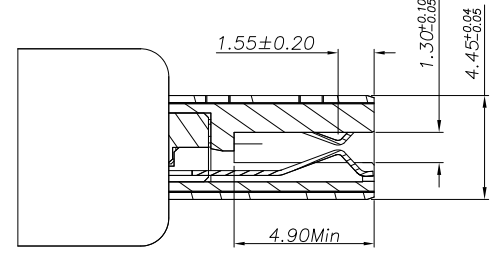
DECIMALS: ANGLES:
 X :±0.5 X :±2"
 X.X :±0.3 X.X :±1"
 X.XX :±0.2

Singatron Enterprise Co., Ltd. 信音企業股份有限公司			
TITLE	HDMI TYPE A FEMALE VERTICAL & DIP TYPE		
DWN	EVEN 2020.09.25	PART NO. 2HE1761-000311F	
CHKD		SCALE 1:1	UNIT: mm
APVD	ANGELA2020.09.25	SIZE: A3	SHEET: 1 OF 2
REV: A			

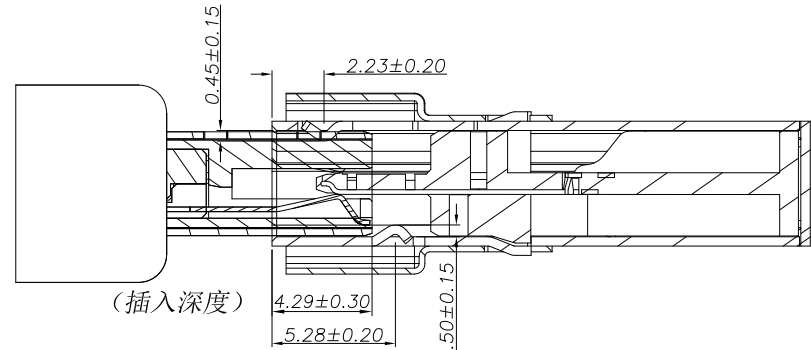
CUSTOMER COPY

REV.	ECN NO OR DESCRIPTION	REVISED	DATE
A	ECN NO.L202008-C06	EVEN	2020.09.25

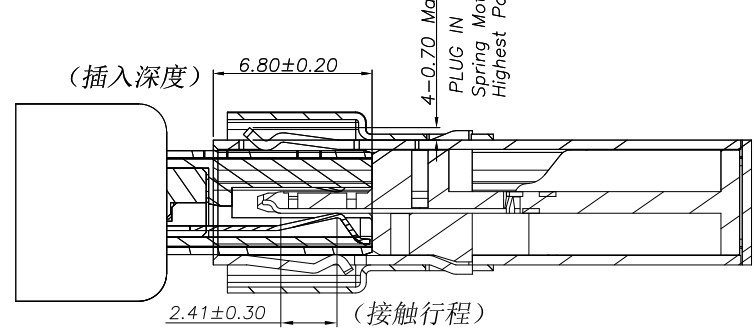
1, MATING PLUG DRAWING (HDMI SPEC 1.4)



2, 端子接触状态 (开始接触)



3, 端子接触状态 (插入到底)



NO	DESCRIPTION	QTY	MATERIAL	PLATING & COLOR
UNLESS OTHERWISE SPECIFIED TOLERANCES		Singatron Enterprise Co., Ltd. 信音企業股份有限公司		
DECIMALS: X :±0.5 X.X :±0.3 X.XX :±0.2		TITLE HDMI TYPE A FEMALE VERTICAL & DIP TYPE		
ANGLES: X :±2° X.X :±1°		DWN	EVEN 2020.09.25	PART NO. 2HE1761-000311F
		CHKD	SCALE 1:1	UNIT: mm
		APVD	ANGELA2020.09.25	SIZE: A3 SHEET:2 OF 2 REV: A
CUSTOMER COPY				