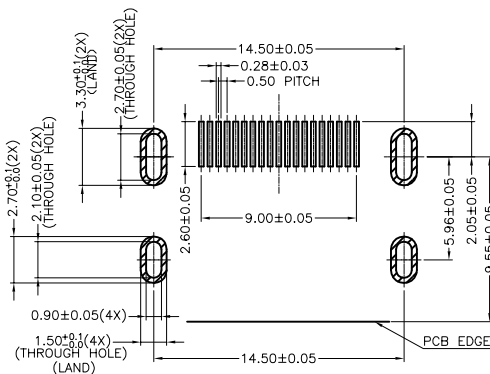
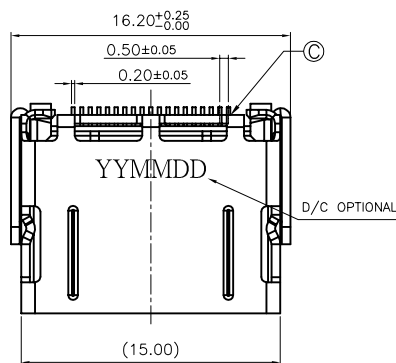


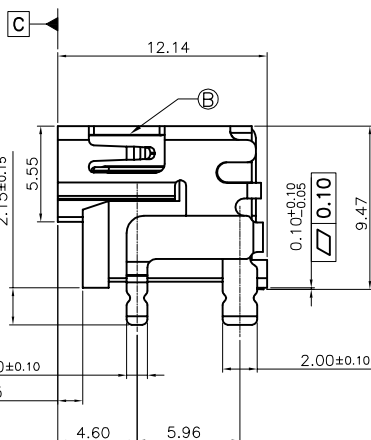
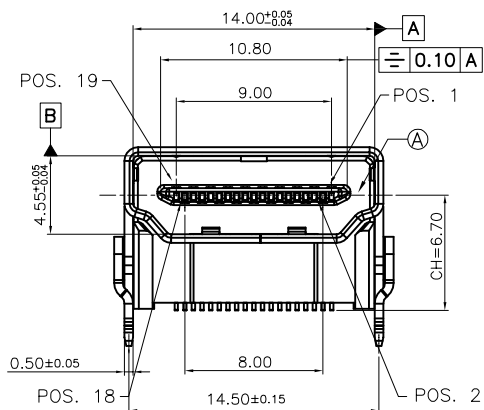
REV.	ECN NO OR DESCRIPTION	REVISED	DATE
A	PDR RELEASE	IVY-C	2017.02.20

SPECIFICATIONS:

- ELECTRICAL CHARACTERISTICS:
 - CURRENT RATING: 0.5 AMP.
 - VOLTAGE RATING: 40V.
 - INITIAL CONTACT RESISTANCE EXCLUDING CONDUCTOR RESISTANCE: 10mΩ MAX (TARGET DESIGN VALUE). AFTER TEST: Δ30mΩ MAX.
 - INSULATION RESISTANCE: 100MΩ MIN. @ 500V DC.
 - DIELECTRIC WITHSTANDING VOLTAGE: 500V AC FOR 1 MINUTE.
- MECHANICAL CHARACTERISTICS:
 - INSERTION FORCE: 4.5Kgf MAX.
 - WITHDRAWAL FORCE: 1.0~4.0Kgf.
- OTHER GENERAL SPEC. TO REFER "2HE1772-000111F SPEC".
- TO CONFORM TO THE SINGATRON HAZARDOUS SUBSTANCE FREE SPEC.
- HALOGEN FREE PRODUCT IDENTIFICATION LABEL ON PACKAGING:
- PACKAGE: SEE "2HE1772-000111F" PACKAGE.
- FOR REFLOW SOLDERING LEAD-FREE PROCESS.



RECOMMENDED P.C.B. LAYOUT (T:1.20mm)
TOLERANCE UNSPECIFIED ±0.05mm



PART NO.
2HE1772-000111F

- SUFFIX: HALOGEN FREE
- PACKAGE: 1: TAPE & REEL
- HOUSING COLOR: 1: BLACK
- CONTACT PLATING: 1: GOLD FLASH ON CONTACT AREA, MATTE TIN ON SOLDER AREA.

C	CONTACT	19	C2680	SEE PART NO.
B	SHELL	1	SUS 304	NICKEL PLATED
A	HOUSING	1	LCP UL 94V-0	BLACK
NO	DESCRIPTION	QTY	MATERIAL	PLATING & COLOR
UNLESS OTHERWISE SPECIFIED TOLERANCES		Singatron Enterprise Co., Ltd. 信音企業股份有限公司		
DECIMALS: ANGLES:		TITLE: HDMI A TYPE FEMALE, SMT TYPE		
X	:±0.5	X	:±2°	DWN: IVY-C 2017.02.20 PART NO. 2HE1772-000111F
X.X	:±0.3	X.X	:±1°	CHKD: ANGELA 2017.02.20 SCALE: 3.3:1 UNIT: mm
X.XX	:±0.2	APVD: ANGELA 2017.02.20	SIZE: A3	SHEET: 1 OF 1 REV: A
CUSTOMER COPY				