

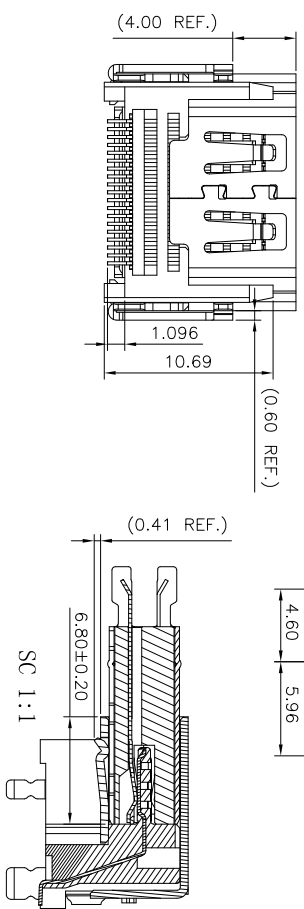
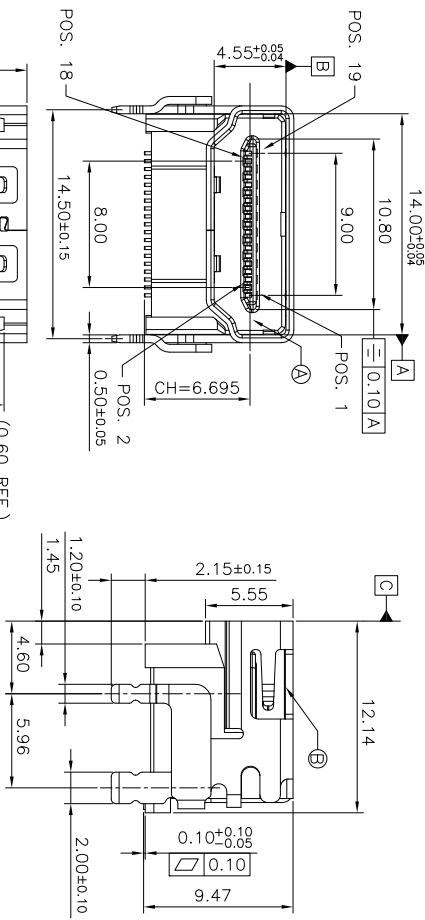
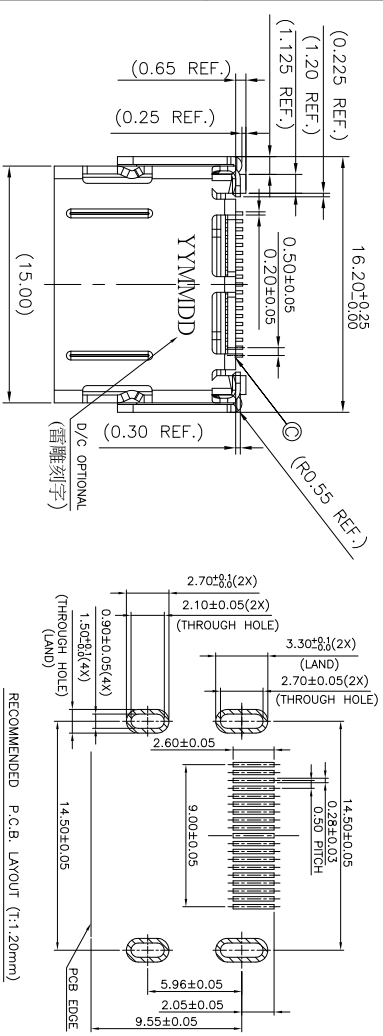
REV	ECN NO OR DESCRIPTION	REVISED	DATE
A	PDR RELEASE	Even	2021.02.24

SPECIFICATIONS:

- ELECTRICAL CHARACTERISTICS:
 - CURRENT RATING: 0.5 AMP.
 - VOLTAGE RATING: 40V.
 - INITIAL CONTACT RESISTANCE EXCLUDING CONDUCTOR RESISTANCE: 10mΩ MAX (TARGET DESIGN VALUE). AFTER TEST: Δ30mΩ MAX.
 - INSULATION RESISTANCE: 100MΩ MIN. @ 500V DC.
 - DIELECTRIC WITHSTANDING VOLTAGE: 500V AC FOR 1 MINUTE.
- MECHANICAL CHARACTERISTICS:
 - INSERTION FORCE: 44.7N MAX.
 - WITHDRAWAL FORCE: 9.8N MIN.
- OTHER GENERAL SPEC. TO REFER "ZHE1772-000112F SPEC."
- TO CONFORM TO THE SINGATRON HAZARDOUS SUBSTANCE FREE SPEC.
- HALOGEN FREE PRODUCT IDENTIFICATION LABEL ON PACKAGING.
- PACKAGE: SEE "ZHE1772-000112F" PACKAGE.
- FOR REFLOW SOLDERING LEAD-FREE PROCESS.



RECOMMENDED P.C.B. LAYOUT (T1.20mm)
TOLERANCE UNSPECIFIED ±0.03mm



- SUFFIX: HALOGEN FREE
- PACKAGE
- 2: TAPE & REEL (FOR QUANTITY)
- HOUSING COLOR
- 1: BLACK
- CONTACT PLATING
- 1: GOLD FLASH ON CONTACT AREA.
- MATTE TIN 100μ" MIN. ON SOLDER AREA.
- 50" MIN. IN UNDER PLATING OVERALL

PART NO.
ZHE1772-000112F

NO	DESCRIPTION	QTY	MATERIAL	PLATING & COLOR
C	CONTACT	19	C2680	SEE PART NO.
B	SHELL	1	SUS 304	NICKEL 50μ" MIN.
A	HOUSING	1	LCP UL 94V-0	BLACK

UNLESS OTHERWISE SPECIFIED TOLERANCES

DECIMALS: ANGLES:

X : ±0.5 X : ±1°

X.X : ±0.3 X.X : ±1'

X.XX : ±0.2

信音科技(香港)有限公司

HDMI A TYPE FEMALE SMT TYPE

DWN ENR 2021.02.24 PART NO. ZHE1772-000112F

CHKD SCALES 3:1 UNIT: mm

APVD AME1020110224 SIZE: A3 SHEET: 1 OF 1 REV:A

CUSTOMER COPY