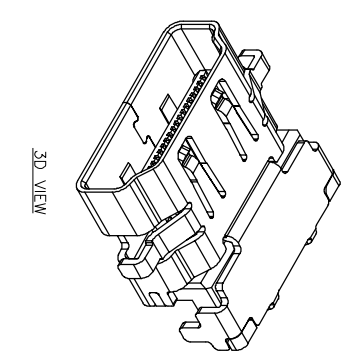
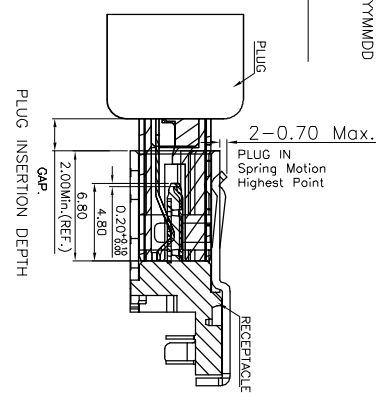
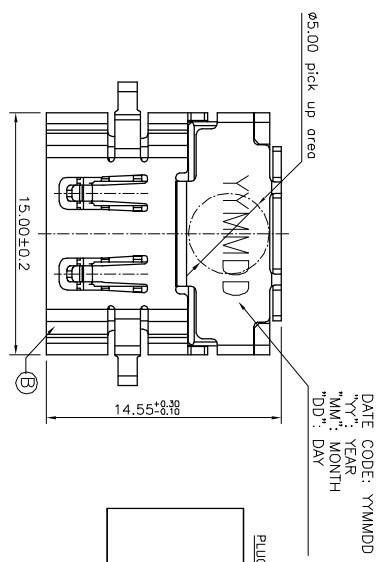
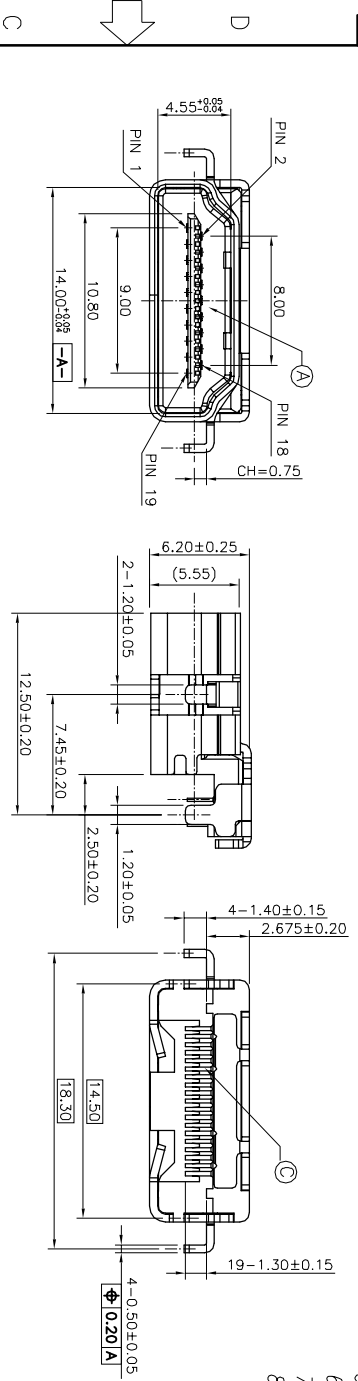


REV	ECN NO OR DESCRIPTION	REVISED	DATE
A	PDR NO: T180116-1A	He	2018.06.20



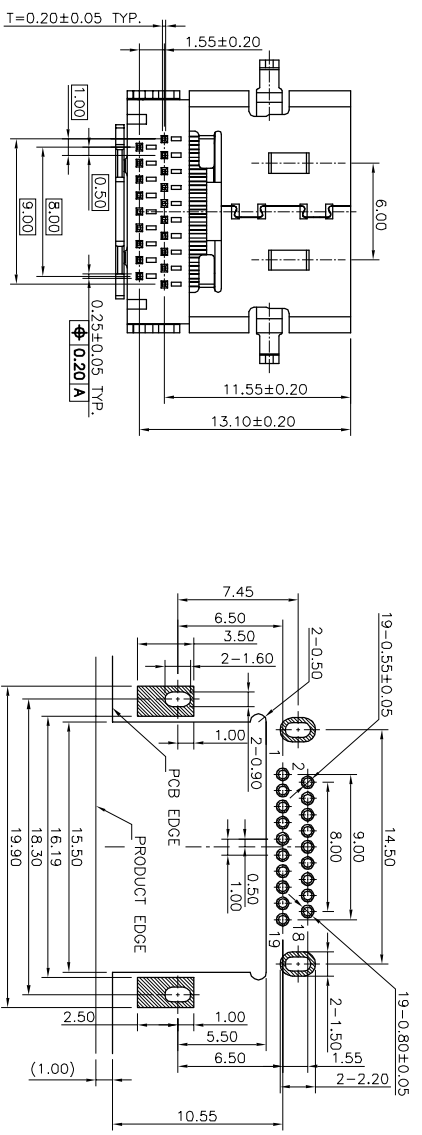
- SPECIFICATIONS: (HDMI A TYPE)
- ELECTRICAL CHARACTERISTICS:
    - CURRENT RATING: 0.5 AMP.
    - VOLTAGE RATING: 40V.
    - INITIAL CONTACT RESISTANCE EXCLUDING CONDUCTOR RESISTANCE: 10mΩ MAX. (TARGET DESIGN VALUE), AFTER TEST: Δ 30mΩ MAX.
    - INSULATION RESISTANCE: 100MΩ MIN. @ 500V DC.
    - DIELECTRIC WITHSTANDING VOLTAGE: 500V AC FOR 1 MINUTE.
  - MECHANICAL CHARACTERISTICS:
    - INSERTION FORCE: 4.5kgf MAX.
    - WITHDRAWAL FORCE: 1.0~4.0kgf.
    - LIFE TEST: 10,000 CYCLES.
    - OTHER GENERAL SPEC. TO REFER "HDMI SERIES SPEC."
    - TO CONFORM TO THE SINGATRON HAZARDOUS SUBSTANCE FREE SPEC.
    - HALOGEN FREE PRODUCT IDENTIFICATION LABEL ON PACKAGING.
    - PACKAGE: SEE "2HE1783-100111F" PACKAGE.
    - FOR REFLOW SOLDERING LEAD-FREE PROCESS.



PART NO.  
**2HE1783-100111F**

SUFFIX: HALOGEN FREE  
PACKAGE  
1: TAPE AND REEL  
HOUSING COLOR  
1: BLACK

CONTACT PLATING  
1: GOLD FLASH ON CONTACT AREA  
60u~150u" MATTE TIN ON SOLDER AREA  
50~100u" NICKEL UNDERPLATE OVER ALL.



RECOMMENDED PCB LAYOUT(TOP VIEW)  
(DEFAULT DIMENSION TOL=±0.05mm)  
(THICKNESS=1.0±0.10mm)  
" " "STAND-OFF AREA

NO	DESCRIPTION	QTY	MATERIAL	PLATING & COLOR
C	CONTACT	19	C2680-H 0.2t	SEE PART NO.
B	SHELL	1	SUS430-H 0.5t	NICKEL
A	HOUSING	1	LCP E1301 UJ94V-0	BLACK

UNLESS OTHERWISE SPECIFIED TOLERANCES

DECIMALS:	ANGLES:	TITLE
X : ±0.5	X : ±2°	HDMI A TYPE FEMALE, REVERSE, SINKING, CH=-0.75mm
X.X : ±0.3	X.X : ±1°	PART NO. 2HE1783-100111F
X.XX : ±0.2		SCALE: 7:1 UNIT: mm
		SIZE: A3 SHEET: 1 OF 1 REV: A

Singatron Enterprise Co., Ltd.  
**信營企業股份有限公司**

CUSTOMER COPY