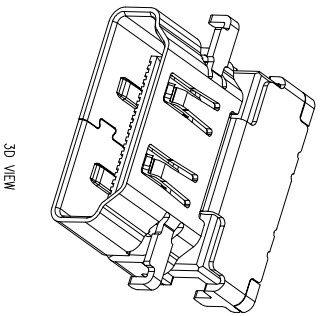
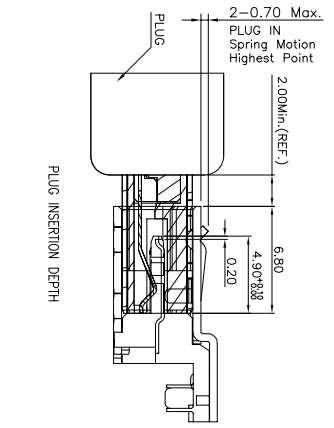
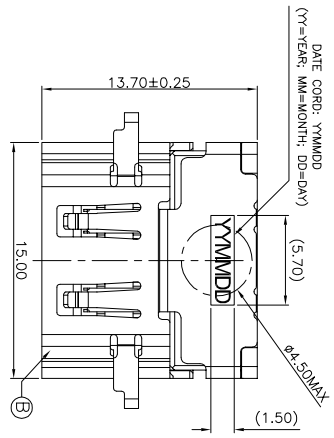
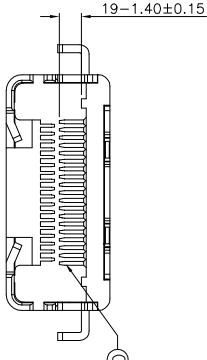
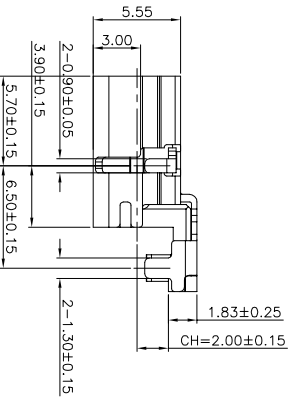
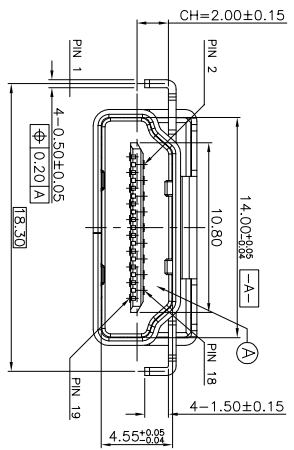


REV/ECN NO OR DESCRIPTION	REVISED	DATE
A PDR RELEASE	EVEN	2019.04.03

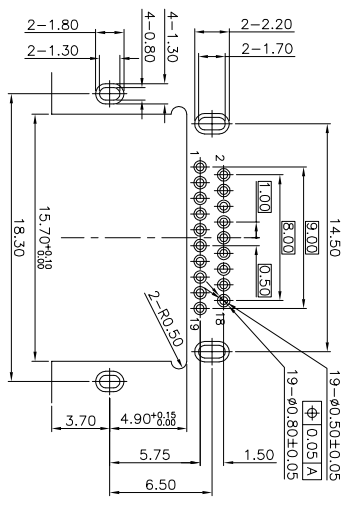
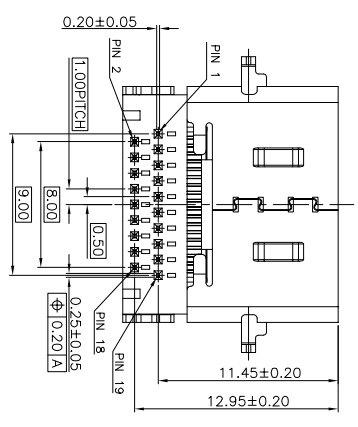


3D VIEW

- SPECIFICATIONS: (HDMI A TYPE)
- ELECTRICAL CHARACTERISTICS:
 - CURRENT RATING: 0.5 AMP.
 - VOLTAGE RATING: 40V.
 - INITIAL CONTACT RESISTANCE EXCLUDING CONDUCTOR RESISTANCE: 10mΩ MAX. (TARGET DESIGN VALUE). AFTER TEST: Δ30mΩ MAX.
 - INSULATION RESISTANCE: 100MΩ MIN. @ 500V DC.
 - DIELECTRIC WITHSTANDING VOLTAGE: 500V AC FOR 1 MINUTE.
 - MECHANICAL CHARACTERISTICS:
 - INSERTION FORCE: 4.5Kgf MAX.
 - WITHDRAWAL FORCE: 1.0~4.0kgf.
 - LIFE TEST: 10,000 CYCLES.
 - OTHER GENERAL SPEC. TO REFER "HDMI SERIES SPEC."
 - TO CONFORM TO THE SINGATRON HAZARDOUS SUBSTANCE FREE SPEC.
 - HALOGEN FREE PRODUCT IDENTIFICATION LABEL ON PACKAGING.
 - PACKAGE: SEE "2HE1783-110211F" PACKAGE.
 - FOR REFLOW SOLDERING LEAD-FREE PROCESS.



- PART NO.
2HE1783-110211F
- SUFFIX: HALOGEN FREE
 - PACKAGE: 1: TAPE & REEL
 - HOUSING COLOR: 1: BLACK
 - CONTACT PLATING: 2.5u" GOLD PLATED ON CONTACT AREA, 60u~150u" WHITE TIN ON SOLDER AREA, 50~100u" NICKEL UNDERPLATE OVER ALL.



RECOMMENDED PCB LAYOUT(TOP VIEW)
(THICKNESS=1.0±0.10mm)
(TOLERANCE=±0.03mm)

NO	DESCRIPTION	QTY	MATERIAL	PLATING & COLOR
C	CONTACT	19	C2680-H 0.2t	SEE "PART NO."
B	SHELL	1	SUS201R-1/4H T=0.5	BLACK NI 60U" MIN
A	HOUSING	1	LCP E130I U194V-0	BLACK
NO	DESCRIPTION		MATERIAL	PLATING & COLOR

UNLESS OTHERWISE SPECIFIED TOLERANCES

DECIMALS: ANGLES: X :±0.5 X :±2° X.X :±0.3 X.X :±1' X.XX :±0.2

TITLE	HDM A TYPE FEMALE, REVERSE, SINKING, CH=2.0mm
DWN	2019.04.03
CHKD	SCALE: 3.7:1 UNIT: mm
APVD	ANGELA 2019.04.03 SIZE: A3 SHEET: 1 OF 1 REV: A

SINGATRON 信音企業股份有限公司

CUSTOMER COPY

A B C D E F

1 2 3 4 5 6 7 8

A B C D E F

文件編號: RO-06-043-A