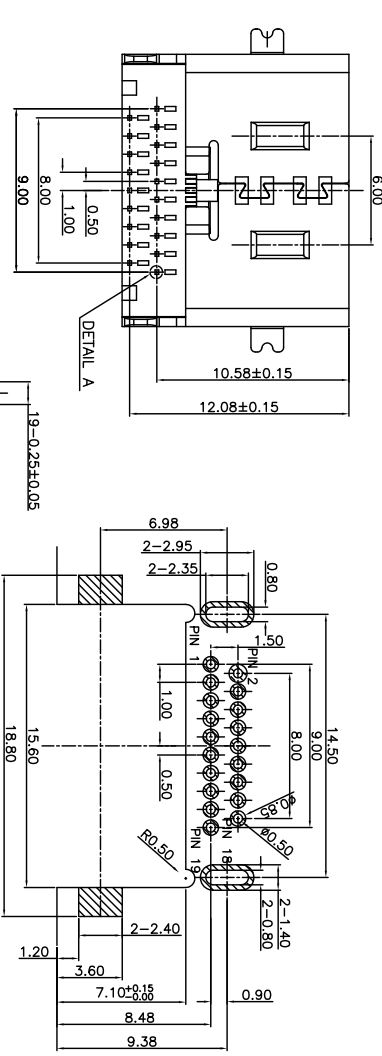
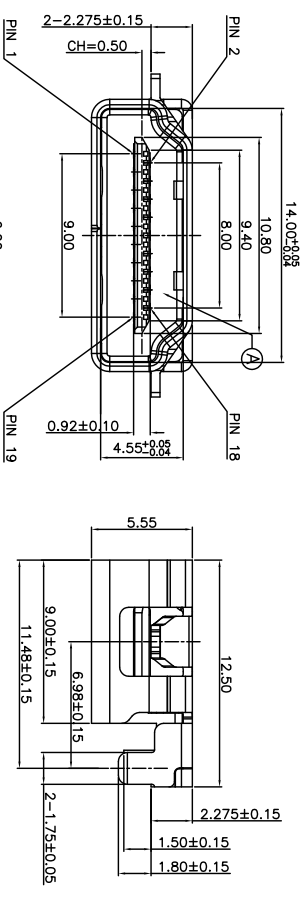
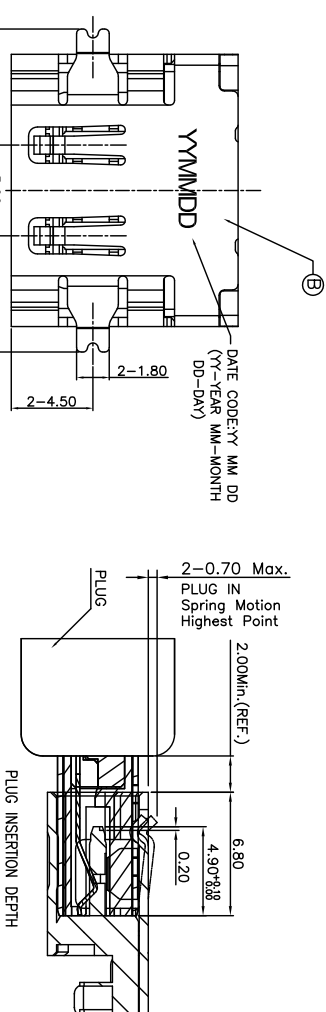
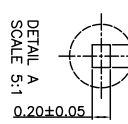


REV. ECN NO OR DESCRIPTION	REVISED	DATE
A PDR RELEASE	EVEN	2019.05.30

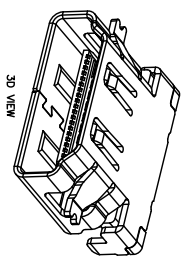


RECOMMENDED PCB LAYOUT(TOP VIEW)
(THICKNESS=1.2±0.10mm)
(TOLERANCE=±0.03mm)



- SPECIFICATIONS: (HDMI A TYPE)**
- 1. ELECTRICAL CHARACTERISTICS:**
- 1-1. CURRENT RATING: 0.5 AMP.
 - 1-2. VOLTAGE RATING: 40V.
 - 1-3. INITIAL CONTACT RESISTANCE EXCLUDING CONDUCTOR RESISTANCE: 10mΩ MAX. (TARGET DESIGN VALUE). AFTER TEST: Δ30mΩ MAX.
 - 1-4. INSULATION RESISTANCE: 100MΩ MIN. @ 500V DC.
 - 1-5. DIELECTRIC WITHSTANDING VOLTAGE: 500V AC FOR 1 MINUTE.
- 2. MECHANICAL CHARACTERISTICS:**
- 2-1. INSERTION FORCE: 4.5Kgf MAX.
 - 2-2. WITHDRAWAL FORCE: 1.0~4.0Kgf.
- 3. LIFE TEST: 10,000 CYCLES.
 - 4. OTHER GENERAL SPEC. TO REFER "HDMI SERIES SPEC".
 - 5. TO CONFORM TO THE SINGATRON HAZARDOUS SUBSTANCE FREE SPEC.
 - 6. HALOGEN FREE PRODUCT IDENTIFICATION LABEL ON PACKAGING.
 - 7. PACKAGE: SEE "2HE1784-000111F" PACKAGE.
 - 8. FOR REFLOW SOLDERING LEAD-FREE PROCESS.

PART NO.
2HE1784-000111F



- SUFFIX: HALOGEN FREE
- PACKAGE
- 1: TAPE AND REEL
- HOUSING COLOR
- 1: BLACK
- CONTACT PLATING
- 1: GOLD FLASH ON CONTACT AREA
- 50μ MIN.MATTE TIN ON SOLDER AREA
- 50μ" MIN.NICKEL UNDERPLATE OVER ALL.

C	CONTACT	19	C2680-H 0.2t	SEE PART NO.
B	SHELL	1	SUS201	NICKEL
A	HOUSING	1	LCP UL 94V-0	BLACK
NO	DESCRIPTION			MATERIAL
				PLATING & COLOR
UNLESS OTHERWISE SPECIFIED TOLERANCES				
DECIMALS: ANGLES:				
X	:±0.5	X	:±2°	
X	:±0.3	X	:±1'	
X	:±0.2			
TITLE: HDMI A TYPE FEMALE, REVERSE, DIP TYPE CH=0.5mm				
DWN	EN 2019.05.30	PART NO.	2HE1784-000111F	
CHKD		SCALE:	7:1	UNIT: mm
APVD	AMEGA 2019.05.30	SIZE:	A3	SHEET: 1 OF 1
CUSTOMER COPY				

Singatron Enterprise Co., Ltd.
信音企業股份有限公司

