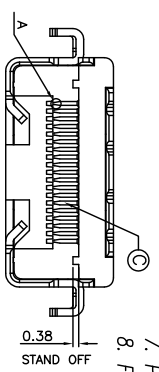
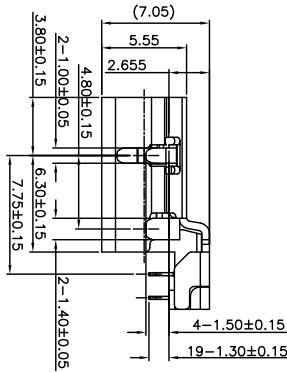
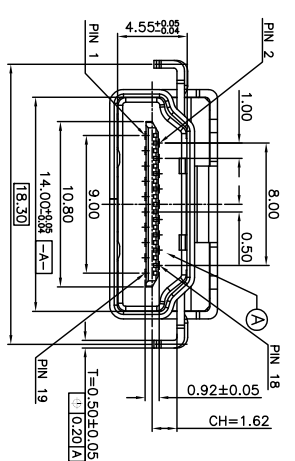
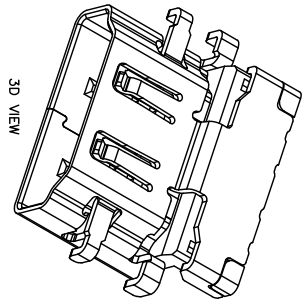
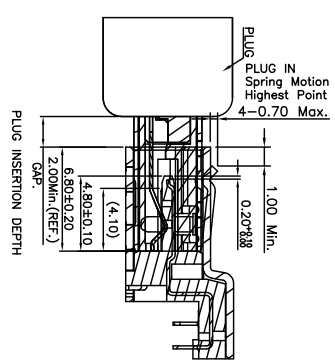
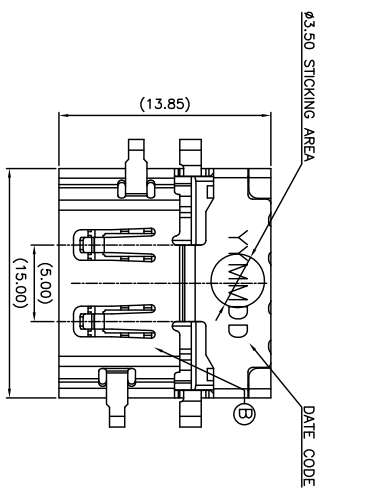
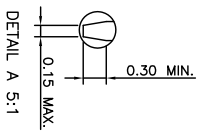


REV.	ECN NO. OR DESCRIPTION	REVISED	DATE
A	PDR RELEASE	EVEN	2020.06.16



PART NO.  
2HE1788-000111F

- SPECIFICATIONS: (HDMI A TYPE)
1. ELECTRICAL CHARACTERISTICS:
- 1-1. CURRENT RATING: 0.5 AMP.
  - 1-2. VOLTAGE RATING: 40V.
  - 1-3. INITIAL CONTACT RESISTANCE EXCLUDING CONDUCTOR RESISTANCE: 10mΩ MAX. (TARGET DESIGN VALUE). AFTER TEST: Δ30mΩ MAX.
  - 1-4. INSULATION RESISTANCE: 100MΩ MIN. @ 500V DC.
  - 1-5. DIELECTRIC WITHSTANDING VOLTAGE: 500V AC FOR 1 MINUTE.
2. MECHANICAL CHARACTERISTICS:
- 2-1. INSERTION FORCE: 4.5kgf MAX.
  - 2-2. WITHDRAWAL FORCE: 1.0~4.0kgf.
- 3. LIFE TEST: 10,000 CYCLES.
  - 4. OTHER GENERAL SPEC. TO REFER "HDMI SERIES SPEC."
  - 5. TO CONFORM TO THE SINGATRON HAZARDOUS SUBSTANCE FREE SPEC.
  - 6. HALOGEN FREE PRODUCT IDENTIFICATION LABEL ON PACKAGING.
  - 7. PACKAGE: SEE "2HE1788-000111F" PACKAGE.
  - 8. FOR REFLOW SOLDERING LEAD-FREE PROCESS.



SUFFIX: HALOGEN FREE

PACKAGE

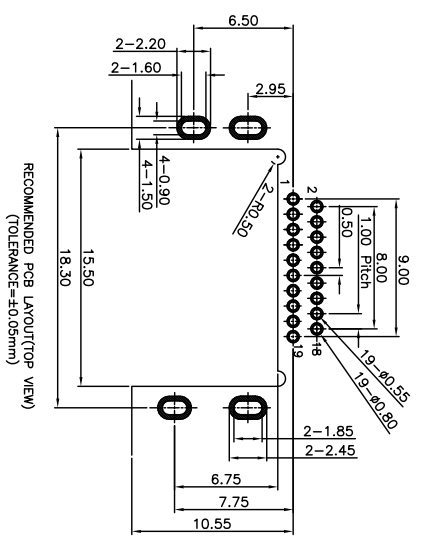
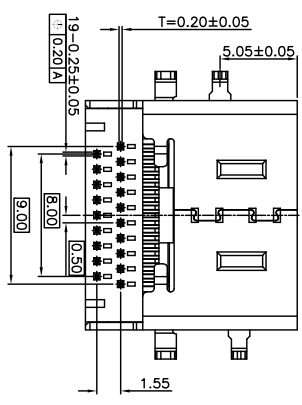
1: TAPE AND REEL

HOUSING COLOR

1: BLACK

CONTACT PLATING

1: 5u" GOLD ON CONTACT AREA,  
MATTE TIN 60~150u" ON SOLDER AREA,  
50u" MIN. NI UNDER PLATING OVERALL



C	CONTACT	19	C2680-H 0.2t	SEE PART NO.
B	SHELL	1	SUS304-1/4H 0.5t	50u" MIN. BLACK NICKEL
A	HOUSING	1	LCP UL 94V-0	BLACK
NO	DESCRIPTION	QTY	MATERIAL	PLATING & COLOR

UNLESS OTHERWISE SPECIFIED TOLERANCES

Singatron Enterprise Co., Ltd.  
信亨企業股份有限公司

DECIMALS:	ANGLES:
X : ±0.5	X : ±2°
X.X : ±0.3	X.X : ±1'
X.XX : ±0.2	

TITLE	HDMI A TYPE FEMALE, DIP TYPE
DWN	DATE: 2020.06.16
CHKD	SCALE: 7:1 UNIT: mm
APVD	DATE: 2020.06.16 SIZE: A3 SHEET: 1 OF 1 REV: A

CUSTOMER COPY

F  
E  
D  
C  
B  
A

1 2 3 4 5 6 7 8