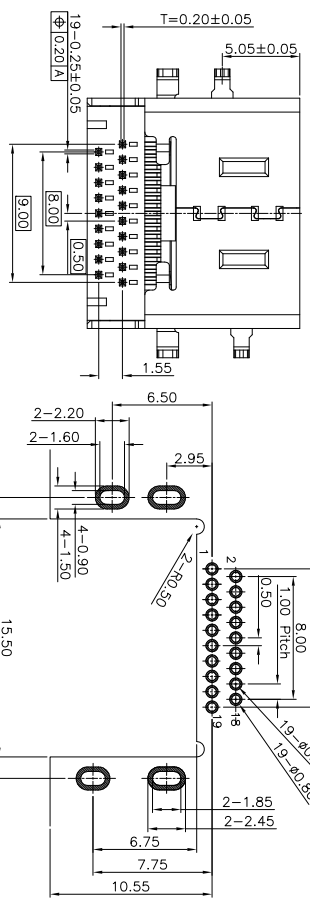
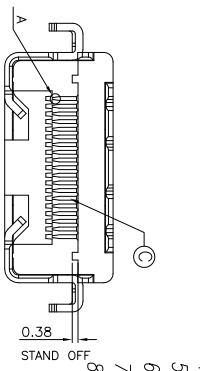
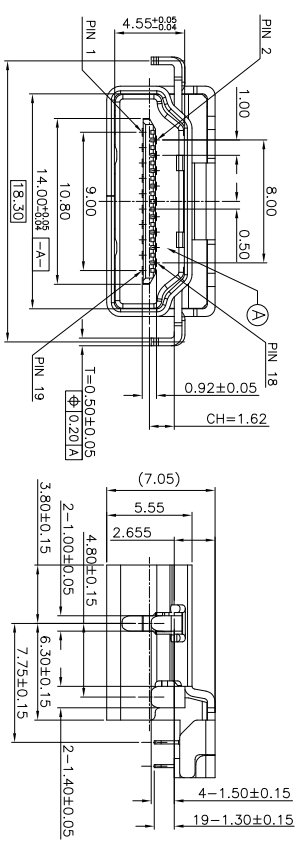
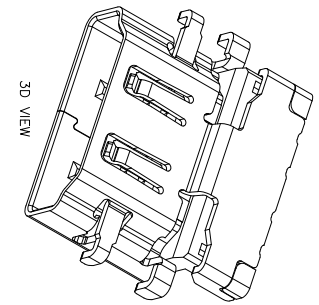
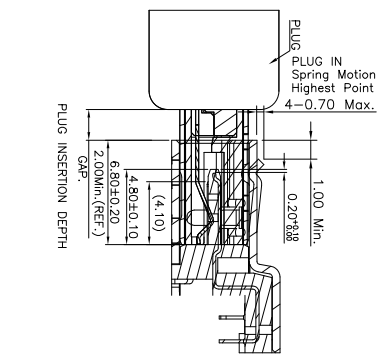
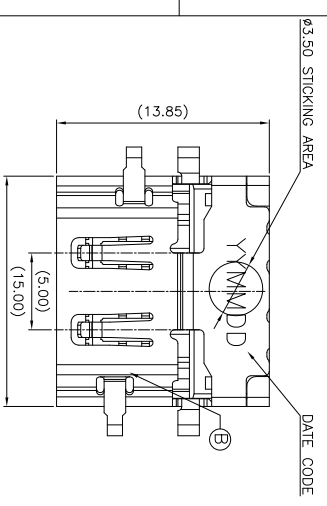
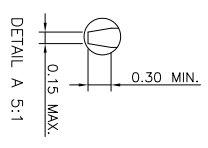


REV.	ECN NO. OR DESCRIPTION	REVISED	DATE
A	PDR RELEASE	EVEN	2021.10.04



RECOMMENDED PCB LAYOUT(TOP VIEW)
(TOLERANCE=±0.05mm)



- SPECIFICATIONS: (HDMI A TYPE)**
- 1. ELECTRICAL CHARACTERISTICS:**
- 1-1. CURRENT RATING: 0.5 AMP.
 - 1-2. VOLTAGE RATING: 40V.
 - 1-3. INITIAL CONTACT RESISTANCE EXCLUDING CONDUCTOR RESISTANCE: 10mΩ MAX. (TARGET DESIGN VALUE). AFTER TEST: Δ 30mΩ MAX.
 - 1-4. INSULATION RESISTANCE: 100MΩ MIN. @ 500V DC.
 - 1-5. DIELECTRIC WITHSTANDING VOLTAGE: 500V AC FOR 1 MINUTE.
- 2. MECHANICAL CHARACTERISTICS:**
- 2-1. INSERTION FORCE: 4.5Kgf MAX.
 - 2-2. WITHDRAWAL FORCE: 1.0~4.0Kgf.
- 3. LIFE TEST: 10,000 CYCLES.
 - 4. OTHER GENERAL SPEC. TO REFER "2HE1788-001211F SPEC."
 - 5. TO CONFORM TO THE SINGATRON HAZARDOUS SUBSTANCE FREE SPEC.
 - 6. HALOGEN FREE PRODUCT IDENTIFICATION LABEL ON PACKAGING.
 - 7. PACKAGE: SEE "2HE1788-001211F" PACKAGE.
 - 8. FOR REFLOW SOLDERING LEAD-FREE PROCESS.

PART NO.
2HE1788-001211F

- SUFFIX: HALOGEN FREE
- PACKAGE
- 1: TAPE AND REEL
- HOUSING COLOR
- 1: BLACK
- CONTACT PLATING
- 2: GOLD FLASH(1μ" MIN.) ON CONTACT AREA, MATTE TIN 60~150μ" ON SOLDER AREA, 50μ" MIN. IN UNDER PLATING OVERALL

HDMI TYPE A PIN ASSIGNMENT

PIN	Signal Assignment
1	TMS Data2+
2	TMS Data2 Shield
3	TMS Data2-
4	TMS Data1+
5	TMS Data1 Shield
6	TMS Data1-
7	TMS Data0+
8	TMS Data0 Shield
9	TMS Data0-
10	TMS Data0+
11	TMS Data0 Shield
12	TMS Data0-
13	GND
14	Utility
15	SCL
16	SDA
17	DDC/CEC Ground
18	+5V Power
19	Hot Plug Detect

PIN	DESCRIPTION	QTY	SEE PART NO.
C	CONTACT	19	C2680-H 0.2t
B	SHELL	1	SUS304-1/4H 0.5t
A	HOUSING	1	LCP UL 94V-0
	NO		BLACK
	UNLESS OTHERWISE SPECIFIED TOLERANCES		PLATING & COLOR
	DECIMALS:	ANGLES:	
	X : ±0.5	X : ±2°	
	X.X : ±0.3	X.X : ±1'	
	X.XX : ±0.2		
<p>信音科技(香港)有限公司</p> <p>HDMI A TYPE FEMALE, DIP TYPE</p> <p>TITLE</p> <p>DWN 2021.10.04 PART NO. 2HE1788-001211F</p> <p>CHKD SCALE: 3.7:1 UNIT: mm</p> <p>APVD ANG: 2021.10.04 SIZE: A3 SHEET: 1 OF 1 REV: A</p> <p>CUSTOMER COPY</p>			