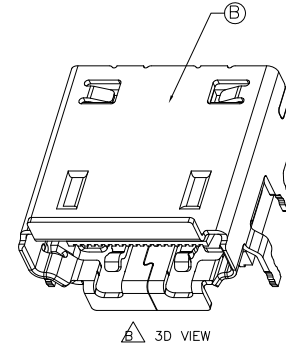
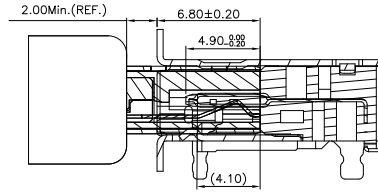
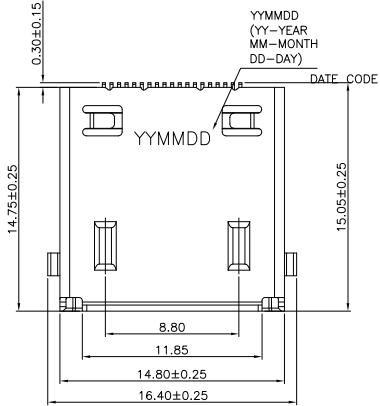


REV.	ECN NO OR DESCRIPTION	REVISED	DATE
A	PDR RELEASE	EVEN	2020.09.16
B	ECN NO. L202106-P04	EVEN	2021.07.20

Vndord Part Number : 2HE1789-000111F
symbol same as page3

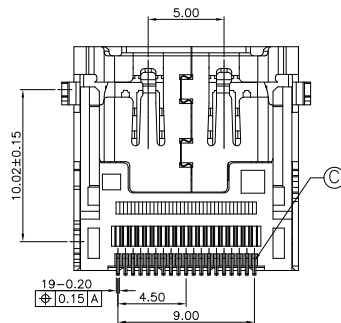
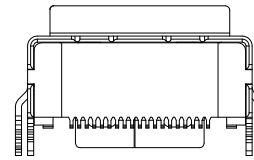
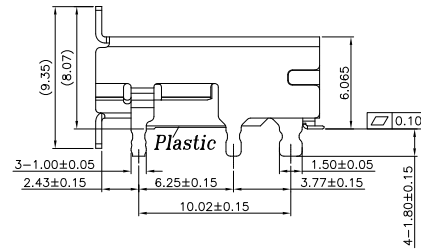
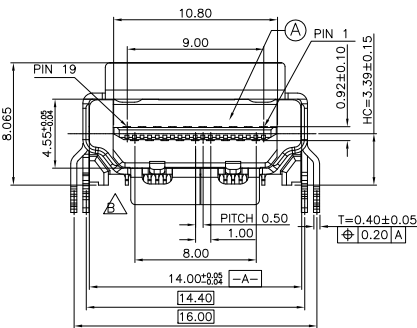
TOP VIEW



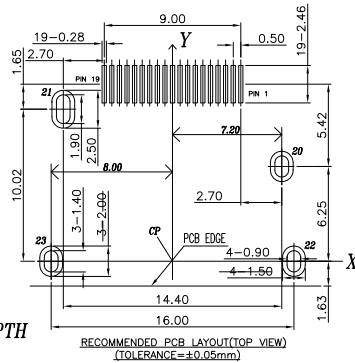
- SPECIFICATIONS: (HDMI A TYPE)
- ELECTRICAL CHARACTERISTICS:
 - CURRENT RATING: 0.5 AMP.
 - VOLTAGE RATING: 40V.
 - INITIAL CONTACT RESISTANCE EXCLUDING CONDUCTOR RESISTANCE: 10mΩ MAX. (TARGET DESIGN VALUE). AFTER TEST: Δ 30mΩ MAX.
 - INSULATION RESISTANCE: 100MΩ MIN. @ 500V DC.
 - DIELECTRIC WITHSTANDING VOLTAGE: 500V AC FOR 1 MINUTE.
 - MECHANICAL CHARACTERISTICS:
 - INSERTION FORCE: 4.5Kgf MAX.
 - WITHDRAWAL FORCE: 1.0~4.0Kgf.
 - LIFE TEST: 10,000 CYCLES.
 - OTHER GENERAL SPEC. TO REFER "HDMI SERIES SPEC".
 - TO CONFORM TO THE SINGATRON HAZARDOUS SUBSTANCE FREE SPEC.
 - HALOGEN FREE PRODUCT IDENTIFICATION LABEL ON PACKAGING:
 - PACKAGE: SEE "2HE1789-000111F" PACKAGE.
 - FOR REFLOW SOLDERING LEAD-FREE PROCESS.

PART NO.
2HE1789-000111F

- SUFFIX: HALOGEN FREE
- PACKAGE: 1: TAPE AND REEL
- HOUSING COLOR: 1: BLACK
- CONTACT PLATING: 1: 15u" GOLD ON CONTACT AREA, MATTE TIN 60~150u" ON SOLDER AREA, 50u" MIN. NI UNDER PLATING OVERALL



20~23=PTH



TOP VIEW

C	CONTACT	19	C2680-H 0.2t	SEE PART NO.
B	SHELL	1	SUS304-1/4H 0.5t	50u" MIN.NICKEL
A	HOUSING	1	LCP UL 94V-0	BLACK
NO	DESCRIPTION	QTY	MATERIAL	PLATING & COLOR
UNLESS OTHERWISE SPECIFIED TOLERANCES		Singatron Enterprise Co., Ltd. 信音企業股份有限公司		
DECIMALS:		TITLE: HDMI A TYPE FEMALE, DIP TYPE		
X	:±0.5	X	:±2"	DWN: EVEN 2021.07.20
X.X	:±0.3	X.X	:±1"	PART NO. 2HE1789-000111F
X.XX	:±0.2	CHKD:	SCALE: 1:1	UNIT: mm
		APVD: ANGELA 2021.07.20	SIZE: A3	SHEET: 1 OF 1
REV: B				
CUSTOMER COPY				