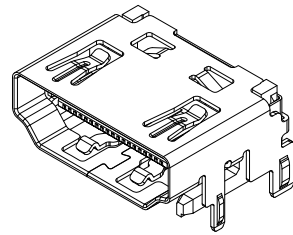
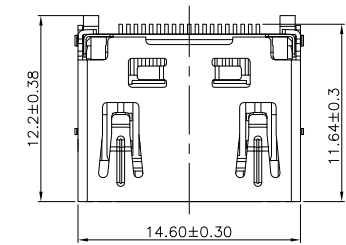

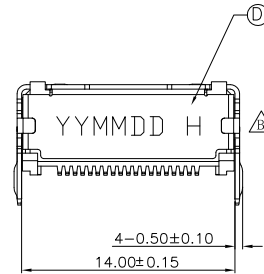
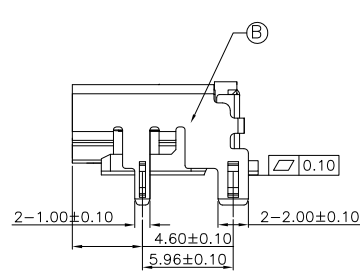
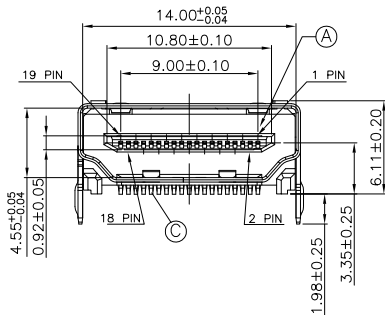


REV.	ECN NO OR DESCRIPTION	REVISED	DATE
A	PDR RELEASE	EVEN	2020.11.27
B	ECN NO : L202103-001	EVEN	2021.04.26



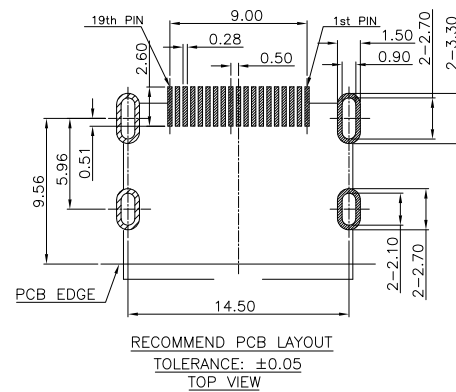
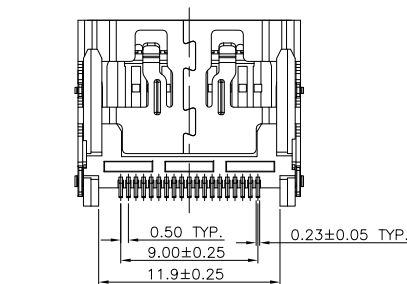
YYMMDD
 DD: DAY
 MM: MONTH
 YY: YEAR

- SPECIFICATIONS: (HDMI A TYPE)
- ELECTRICAL CHARACTERISTICS:
 - CURRENT RATING: 0.5 AMP.
 - VOLTAGE RATING: 40V.
 - CONTACT RESISTANCE: 30mΩ
 - INSULATION RESISTANCE: 100MΩ MIN. @ 500V DC.
 - DIELECTRIC WITHSTANDING VOLTAGE: 500V AC FOR 1 MINUTE.
 - MECHANICAL CHARACTERISTICS:
 - INSERTION FORCE: 4.5Kgf MAX.
 - WITHDRAWAL FORCE: 1.0Kgf MIN.
 - DURABILITY: 10000 CYCLES
 - TO CONFORM TO THE SINGATRON HAZARDOUS SUBSTANCE FREE SPEC.
 - HALOGEN FREE PRODUCT IDENTIFICATION LABEL ON PACKAGING: 
 - PACKAGE: SEE "2HE1791-000111F" PACKAGE.
 - FOR REFLOW SOLDERING LEAD-FREE PROCESS.
 - OTHER GENERAL SPEC. TO REFER "2HE1791-000111F SPEC".





PART NO.
2HE1791-000111F

- SUFFIX: HALOGEN FREE
- PACKAGE: 1: TAPE AND REEL
- HOUSING COLOR: 1: BLACK
- CONTACT PLATING: 1: GOLD FLASH(0.6u"MIN) ON CONTACT AREA, MATTE TIN 80u" MIN. ON SOLDER AREA. 30" MIN. NI UNDER PLATING OVERALL



NO	DESCRIPTION	QTY	MATERIAL	PLATING & COLOR
D	EMI SHIELD	1	SUS304	
C	CONTACT	19	C2680	SEE PART NO.
B	SHELL	1	SUS304	50u" MIN.NICKEL
A	HOUSING	1	LCP UL 94V-0	BLACK

UNLESS OTHERWISE SPECIFIED TOLERANCES		 信音科技(香港)有限公司			
DECIMALS:	ANGLES:	TITLE	HDMI A TYPE FEMALE, DIP TYPE(HDMI 2.1)		
X :±0.5	X :±2°	DWN	EVEN 2021.04.26 PART NO. 2HE1791-000111F		
X.X :±0.3	X.X :±1°	CHKD	SCALE1:1	UNIT: mm	
X.XX :±0.2		APVD	ANGELA 2021.04.26	SIZE: A3	SHEET: 1 OF 1 REV: B
CUSTOMER COPY					