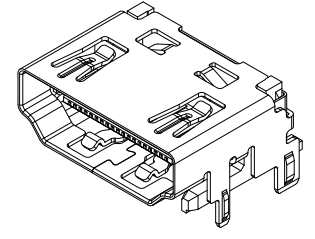
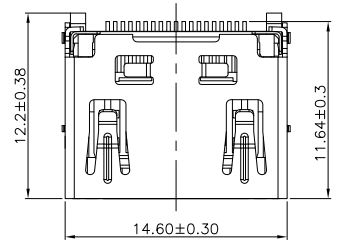

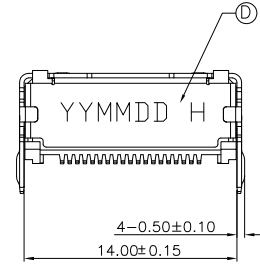
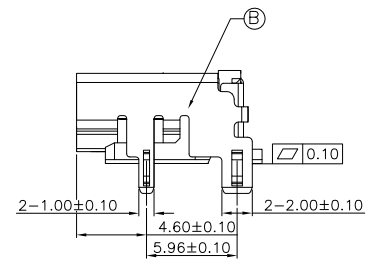
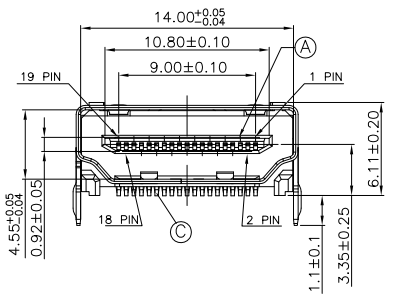


REV.	ECN NO OR DESCRIPTION	REVISED	DATE
A	PDR RELEASE	EVEN	2021.07.02

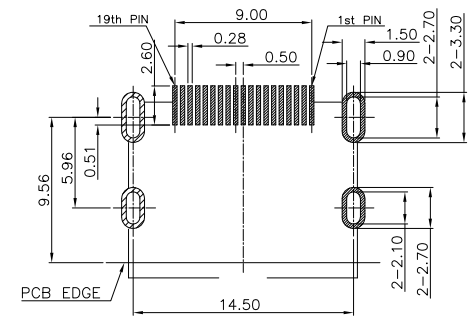
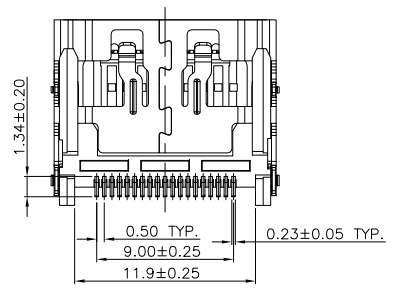


- SPECIFICATIONS: (HDMI A TYPE)
- ELECTRICAL CHARACTERISTICS:
    - 1-1. CURRENT RATING: 0.5 AMP.
    - 1-2. VOLTAGE RATING: 40V.
    - 1-3. CONTACT RESISTANCE: 30mΩ
    - 1-4. INSULATION RESISTANCE: 100MΩ MIN. @ 500V DC.
    - 1-5. DIELECTRIC WITHSTANDING VOLTAGE: 500V AC FOR 1 MINUTE.
  - MECHANICAL CHARACTERISTICS:
    - 2-1. INSERTION FORCE: 4.5Kgf MAX.
    - 2-2. WITHDRAWAL FORCE: 1.0Kgf MIN.
  - DURABILITY: 10000 CYCLES
  - TO CONFORM TO THE SINGATRON HAZARDOUS SUBSTANCE FREE SPEC.
  - HALOGEN FREE PRODUCT IDENTIFICATION LABEL ON PACKAGING: 
  - PACKAGE: SEE "2HE1791-010211F" PACKAGE.
  - FOR REFLOW SOLDERING LEAD-FREE PROCESS.
  - OTHER GENERAL SPEC. TO REFER "2HE1791-010211F SPEC".




PART NO.  
2HE1791-000211F

- SUFFIX: HALOGEN FREE
- PACKAGE: 1: TAPE AND REEL
- HOUSING COLOR: 1: BLACK
- CONTACT PLATING: 2: GOLD 30u" ON CONTACT AREA, MATTE TIN 50u" MIN. ON SOLDER AREA. 30" MIN. NI UNDER PLATING OVERALL



RECOMMEND PCB LAYOUT  
TOLERANCE: ±0.05  
TOP VIEW

NO	DESCRIPTION	QTY	MATERIAL	PLATING & COLOR
D	EMI SHIELD	1	SUS304	
C	CONTACT	19	C2680	SEE PART NO.
B	SHELL	1	SUS304	50u" MIN.NICKEL
A	HOUSING	1	LCP UL 94V-0	BLACK

UNLESS OTHERWISE SPECIFIED TOLERANCES		 信音科技(香港)有限公司		
DECIMALS:	ANGLES:	TITLE	HDMI A TYPE FEMALE, DIP TYPE(HDMI 2.1)	
X :±0.5	X :±2°	DWN	EVEN 2021.07.02	PART NO. 2HE1791-010211F
X.X :±0.3	X.X :±1°	CHKD	SCALE1:1	UNIT: mm
X.XX :±0.2		APVD	ANGELA2021.07.02	SIZE: A3 SHEET:1 OF 1 REV:A
CUSTOMER COPY				