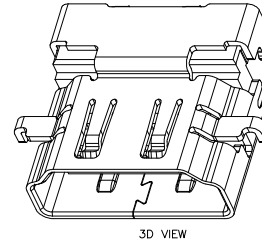
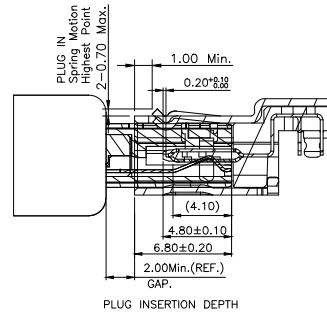
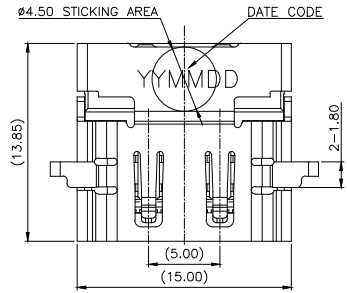

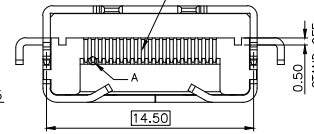
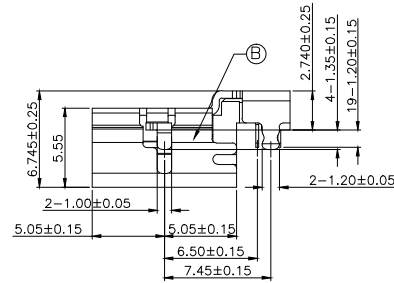
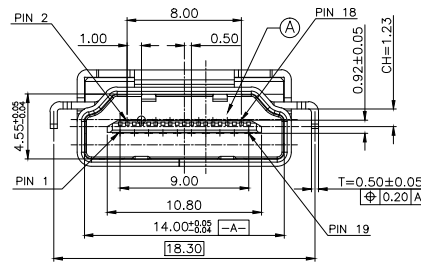


REV.	ECN NO OR DESCRIPTION	REVISED	DATE
A	PDR RELEASE	EVEN	2022.08.17



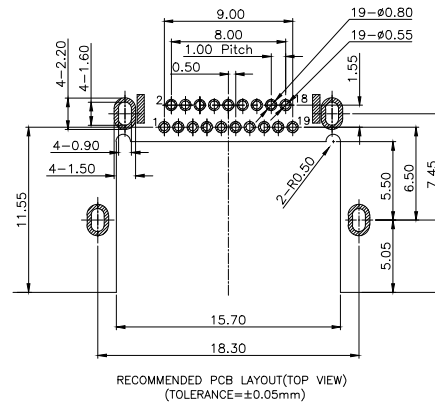
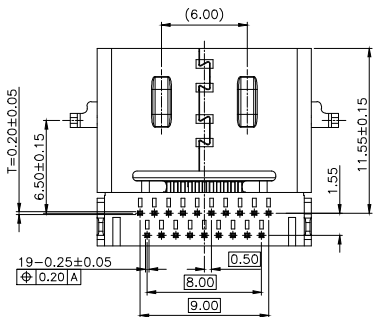
SPECIFICATIONS: (HDMI A TYPE)

- ELECTRICAL CHARACTERISTICS:
 - CURRENT RATING: 0.5 AMP.
 - VOLTAGE RATING: 40V.
 - INITIAL CONTACT RESISTANCE EXCLUDING CONDUCTOR RESISTANCE: 10mΩ MAX. (TARGET DESIGN VALUE). AFTER TEST: Δ30mΩ MAX.
 - INSULATION RESISTANCE: 100MΩ MIN. @ 500V DC.
 - DIELECTRIC WITHSTANDING VOLTAGE: 500V AC FOR 1 MINUTE.
- MECHANICAL CHARACTERISTICS:
 - INSERTION FORCE: 4.5Kgf MAX.
 - WITHDRAWAL FORCE: 1.0~4.0Kgf.
- LIFE TEST: 10,000 CYCLES.
- OTHER GENERAL SPEC. TO REFER "2HE1792-110211F SPEC".
- TO CONFORM TO THE SINGATRON HAZARDOUS SUBSTANCE FREE SPEC.
- HALOGEN FREE PRODUCT IDENTIFICATION LABEL ON PACKAGING: 
- PACKAGE: SEE "2HE1792-110211F" PACKAGE.
- FOR REFLOW SOLDERING LEAD-FREE PROCESS.




PART NO.
2HE1792-110211F

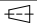
- SUFFIX: HALOGEN FREE
- PACKAGE: 1: TAPE AND REEL
- HOUSING COLOR: 1: BLACK
- CONTACT PLATING: 2: 3u "GOLD" ON CONTACT AREA, MATTE TIN 60~150u" ON SOLDER AREA, 50u" MIN. NI UNDER PLATING OVERALL



C	CONTACT	19	C2680	SEE PART NO.
B	SHELL	1	SUS304	50u" MIN. NICKEL
A	HOUSING	1	LCP UL 94V-0	BLACK
NO	DESCRIPTION	QTY	MATERIAL	PLATING & COLOR

UNLESS OTHERWISE SPECIFIED TOLERANCES

 信音科技(香港)有限公司

DECIMALS:	ANGLES:	TITLE	HDMI A TYPE FEMALE, DIP TYPE		
X : ±0.5	X : ±2°	DWN	EVEN 2022.08.17 PART NO. 2HE1792-110211F		
X.X : ±0.3	X.X : ±1°	CHKD	SCALE: 1:1	UNIT: mm	
X.XX : ±0.2		APVD	ANGELA 2022.08.17	SIZE: A3	SHEET: 1 OF 1 REV: A

CUSTOMER COPY