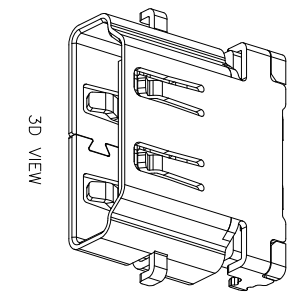
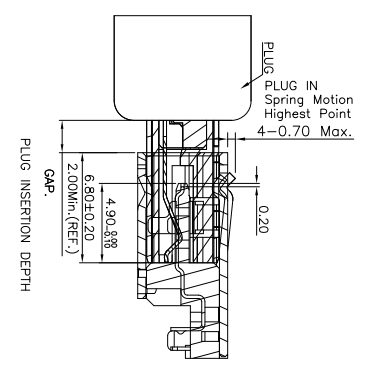
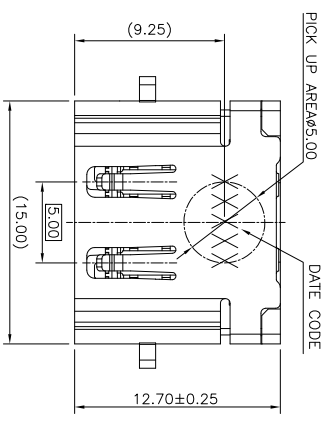
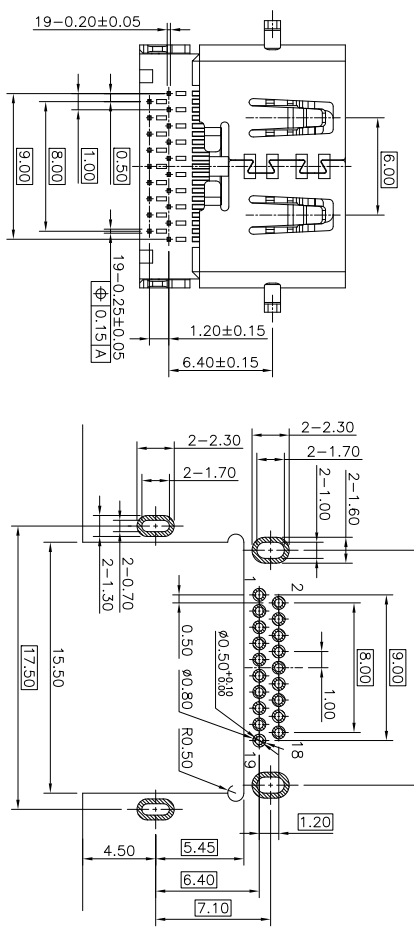
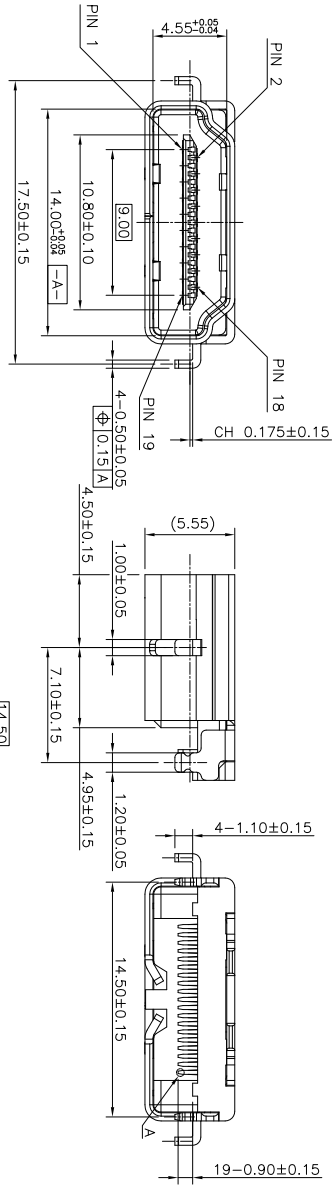


REV/ECN NO OR DESCRIPTION	REVISED	DATE
A PDR RELEASE	EVEN	2020.10.28



3D VIEW



RECOMMENDED PCB LAYOUT(TOP VIEW)  
(DEFAULT DIMENSION TOL=±0.05mm)  
(THICKNESS=1.2±0.10mm)  
"STAND-OFF AREA"

HDM TYPE A PIN ASSIGNMENT	PIN	Signal Assignment
1	TMS Data2+	
2	TMS Data2 Shield	
3	TMS Data2-	
4	TMS Data1+	
5	TMS Data1 Shield	
6	TMS Data1-	
7	TMS Data0 Shield	
8	TMS Data0+	
9	TMS Data0-	
10	TMS Clock+	
11	TMS Clock-	
12	TMS Clock-	
13	CEC	
14	Utility	
15	SQL	
16	SDA	
17	DDC/CEC Ground	
18	+5V Power	
19	Hot Plug Detect	

- SPECIFICATIONS: (HDM A TYPE)
1. ELECTRICAL CHARACTERISTICS:
- 1-1. CURRENT RATING: 0.5 AMP.
  - 1-2. VOLTAGE RATING: 40V.
  - 1-3. INITIAL CONTACT RESISTANCE EXCLUDING CONDUCTOR RESISTANCE: 10mΩ MAX. (TARGET DESIGN VALUE). AFTER TEST: Δ30mΩ MAX.
  - 1-4. INSULATION RESISTANCE: 100MΩ MIN. @ 500V DC.
  - 1-5. DIELECTRIC WITHSTANDING VOLTAGE: 500V AC FOR 1 MINUTE.
2. MECHANICAL CHARACTERISTICS:
- 2-1. INSERTION FORCE: 4.5Kgf MAX.
  - 2-2. WITHDRAWAL FORCE: 1.0~4.0Kgf.
3. LIFE TEST: 10,000 CYCLES.
4. OTHER GENERAL SPEC. TO REFER "ZHE1794-000111F SPEC".
5. TO CONFORM TO THE SINGATRON HAZARDOUS SUBSTANCE FREE SPEC.
6. HALOGEN FREE PRODUCT IDENTIFICATION LABEL ON PACKAGING.
7. PACKAGE: SEE "ZHE1794-000111F" PACKAGE.
8. FOR REFLOW SOLDERING LEAD-FREE PROCESS.

PART NO.  
**ZHE1794-000111F**

SUFFIX: HALOGEN FREE  
PACKAGE  
1: TAPE AND REEL  
HOUSING COLOR  
1: BLACK  
CONTACT PLATING  
1: GOLD FLASH ON CONTACT AREA,  
MATTIE TIN 60~150u" ON SOLDER AREA  
50u" MIN. NI UNDER PLATING OVERALL

DESCRIPTION	QTY	MATERIAL	PLATING & COLOR
C CONTACT	19	C2680-H	SEE PART NO.
B SHELL	1	SUS304	50u" MIN.NICKEL
A HOUSING	1	LCP UL 94V-0	BLACK

UNLESS OTHERWISE SPECIFIED TOLERANCES

DECIMALS: ANGLES:

X : ±0.5 X : ±2°  
X.X : ±0.3 X.X : ±1°  
X.XX : ±0.2

TITLE: HDM A TYPE FEMALE, DIP TYPE

Singatron Enterprise Co., Ltd.  
信音企業股份有限公司

REV: 2020.10.28 PART NO. ZHE1794-000111F  
SCALE: 1:1 UNIT: mm  
APVD: HDM A TYPE FEMALE, DIP TYPE SIZE: A3 SHEET: 1 OF 1 REV: A

CUSTOMER COPY

