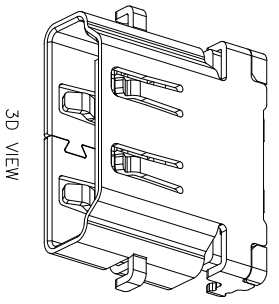
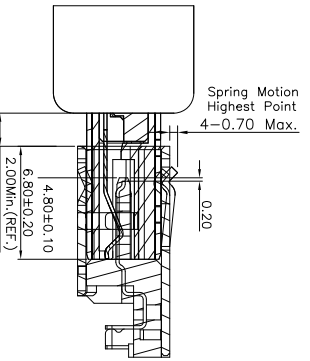
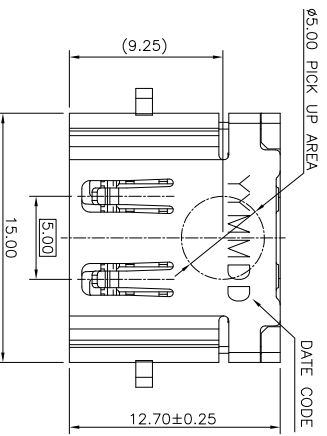
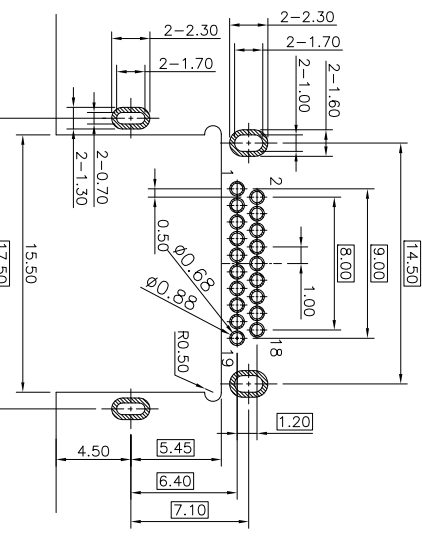
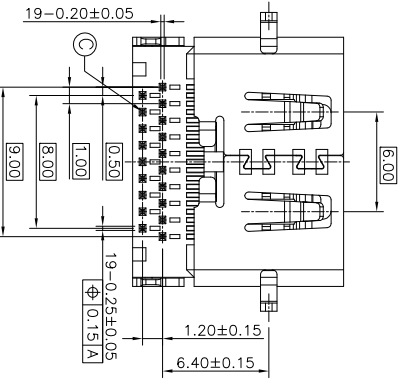
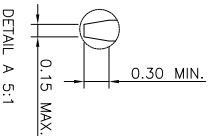
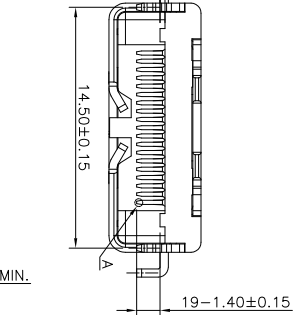
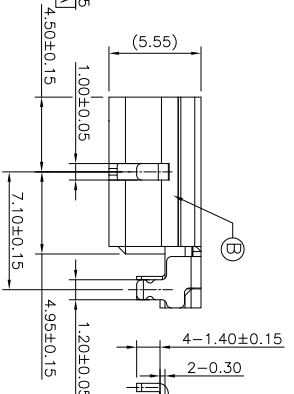
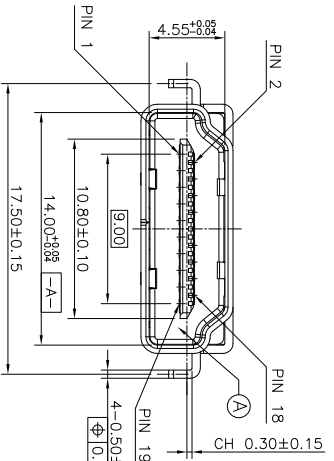


REV	ECN NO. OR DESCRIPTION	REVISED	DATE
A	PDR RELEASE	EVEN	2021.01.19



3D VIEW

- SPECIFICATIONS: (HDMI A TYPE)
- ELECTRICAL CHARACTERISTICS:
 - CURRENT RATING: 0.5 AMP.
 - VOLTAGE RATING: 40V.
 - INITIAL CONTACT RESISTANCE EXCLUDING CONDUCTOR RESISTANCE: 10mΩ MAX. (TARGET DESIGN VALUE). AFTER TEST: Δ 30mΩ MAX.
 - INSULATION RESISTANCE: 100MΩ MIN. @ 500V DC.
 - DIELECTRIC WITHSTANDING VOLTAGE: 500V AC FOR 1 MINUTE.
 - MECHANICAL CHARACTERISTICS:
 - INSERTION FORCE: 4.5kgf MAX.
 - WITHDRAWAL FORCE: 1.0~4.0kgf.
 - LIFE TEST: 10,000 CYCLES.
 - OTHER GENERAL SPEC. TO REFER "ZHEI794-100211F SPEC".
 - TO CONFORM TO THE SINGAITRON HAZARDOUS SUBSTANCE FREE SPEC.
 - HALOGEN FREE PRODUCT IDENTIFICATION LABEL ON PACKAGING.
 - PACKAGE: SEE "ZHEI794-100211F" PACKAGE.
 - FOR REFLOW SOLDERING LEAD-FREE PROCESS.



RECOMMENDED PCB LAYOUT (TOP VIEW)
(DEFAULT DIMENSION TOL=±0.05mm)
(THICKNESS=1.2±0.10mm)

SUFFIX: HALOGEN FREE
PACKAGE
1: TAPE AND REEL
HOUSING COLOR
1: BLACK
CONTACT PLATING
2: 3u" GOLD ON CONTACT AREA,
MATTE TIN 60~150u" ON SOLDER AREA,
50u" MIN. IN UNDER PLATING OVERALL

PART NO.
ZHEI794-100211F

NO	DESCRIPTION	QTY	MATERIAL	PLATING & COLOR
C	CONTACT	19	C2680-H	SEE PART NO.
B	SHELL	1	SUS304	50u" MIN. BLACK NICKEL
A	HOUSING	1	LCP UL 94V-0	BLACK
NO	DESCRIPTION	QTY	MATERIAL	PLATING & COLOR

UNLESS OTHERWISE SPECIFIED TOLERANCES

DECIMALS: ANGLES:

X : ±0.5 X : ±2°
X X : ±0.3 X X : ±1°
X X X : ±0.2

TITLE	HDMI A TYPE FEMALE, DIP TYPE
DWN	BEN 2021.01.19
CHKD	SCALE 1:1 UNIT: mm
APVD	ANSI 2021.01.19 SIZE: A3 SHEET: 1 OF 1 REV: A

CUSTOMER COPY

信音科技(香港)有限公司

A B C D E F

1 2 3 4 5 6 7 8

X# 7F-02-0013-A