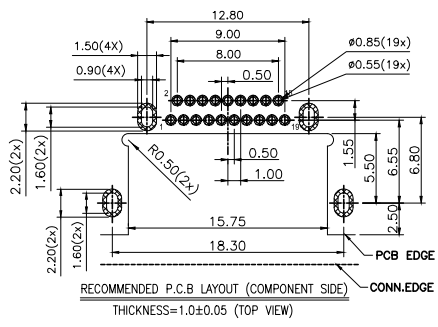
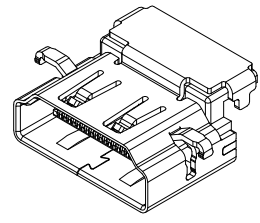
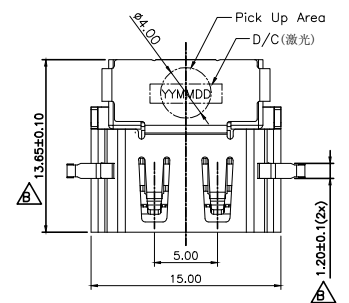
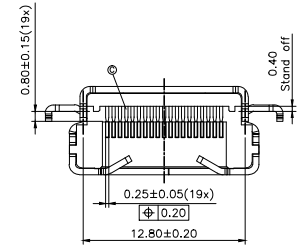
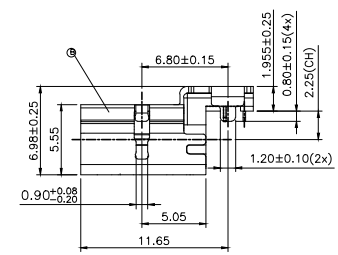
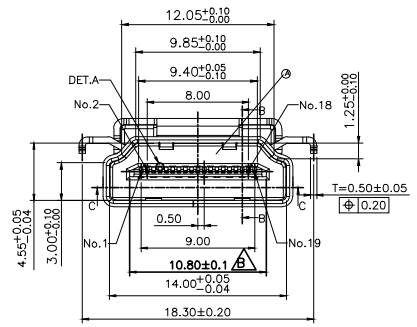


REV.	ECN NO OR DESCRIPTION	REVISED	DATE
A	PDR RELEASE	EVEN	2021.07.20
B	ECN NO: L202109-C01	EVEN	2021.12.21

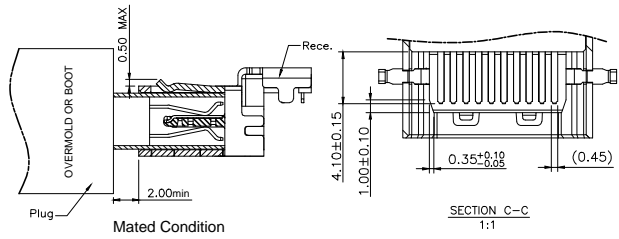
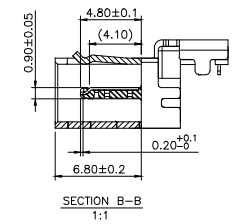
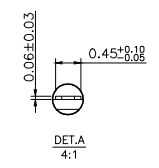
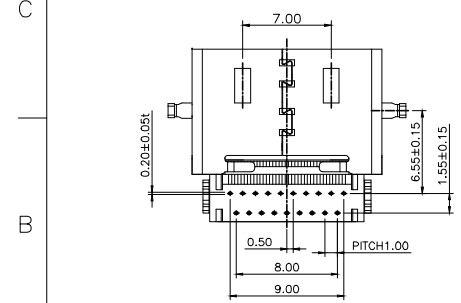


- SPECIFICATIONS: (HDMI A TYPE)
- ELECTRICAL CHARACTERISTICS:
 - CURRENT RATING: 0.5 AMP.
 - VOLTAGE RATING: 40V.
 - INITIAL CONTACT RESISTANCE EXCLUDING CONDUCTOR RESISTANCE: 10mΩ MAX. (TARGET DESIGN VALUE). AFTER TEST: Δ30mΩ MAX.
 - INSULATION RESISTANCE: 100MΩ MIN. @ 500V DC.
 - DIELECTRIC WITHSTANDING VOLTAGE: 500V AC FOR 1 MINUTE.
 - MECHANICAL CHARACTERISTICS:
 - INSERTION FORCE: 4.5Kgf MAX.
 - WITHDRAWAL FORCE: 1.0~4.0Kgf.
 - LIFE TEST: 10,000 CYCLES.
 - OTHER GENERAL SPEC. TO REFER "HDMI SERIES SPEC".
 - TO CONFORM TO THE SINGATRON HAZARDOUS SUBSTANCE FREE SPEC.
 - HALOGEN FREE PRODUCT IDENTIFICATION LABEL ON PACKAGING:
 - PACKAGE: SEE "2HE1803-000111F" PACKAGE.
 - FOR REFLOW SOLDERING LEAD-FREE PROCESS.



PART NO.
2HE1803-000111F

- SUFFIX: HALOGEN FREE
- PACKAGE: 1: TAPE AND REEL
- HOUSING COLOR: 1: BLACK
- CONTACT PLATING: 1: GOLD FLASH(1u") ON CONTACT AREA, MATTE TIN 100u" MIN. ON SOLDER AREA. 50u" MIN. NI UNDER PLATING OVERALL



HDMI TYPE A PIN ASSIGNMENT

PIN	Signal Assignment
1	TMS Data2+
2	TMS Data2 Shield
3	TMS Data2-
4	TMS Data1+
5	TMS Data1 Shield
6	TMS Data1-
7	TMS Data0+
8	TMS Data0 Shield
9	TMS Data0-
10	TMS Clock+
11	TMS Clock Shield
12	TMS Clock-
13	CEC
14	Utility
15	SCL
16	SDA
17	DDC/CEC Ground
18	+5V Power
19	Hot Plug Detect

C	CONTACT	19	C2680-H	SEE PART NO.
B	SHELL	1	SUS304	50u" MIN. NICKEL
A	HOUSING	1	LCP UL 94V-0	BLACK
NO	DESCRIPTION	QTY	MATERIAL	PLATING & COLOR

UNLESS OTHERWISE SPECIFIED TOLERANCES				
DECIMALS: ANGLES:		TITLE: HDMI TYPE A FEMALE DIP TYPE		
X	:±0.5 X :±2°	DWN	EVEN 2021.12.21	PART NO. 2HE1803-000111F
X.X	:±0.3 X.X :±1°	CHKD		SCALE 1:1 UNIT: mm
X.XX	:±0.2	APVD	ANGELA 2021.12.21	SIZE: A3 SHEET: 1 OF 1 REV: B
CUSTOMER COPY				