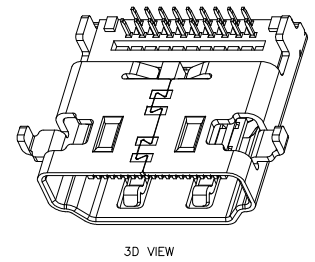
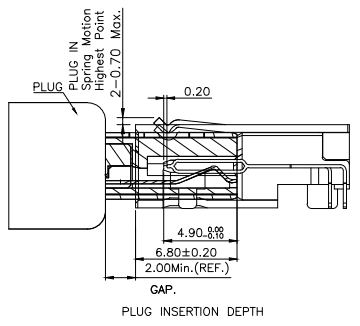
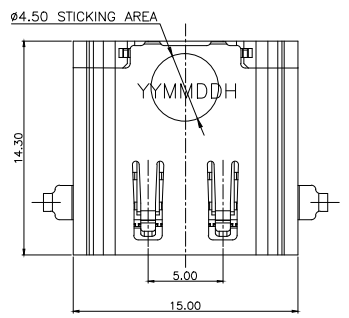
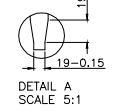
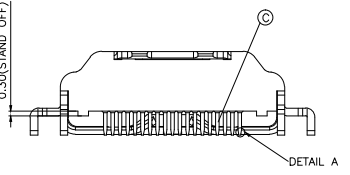
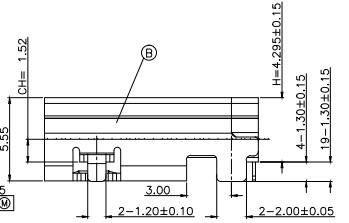
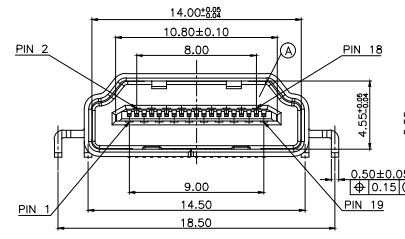


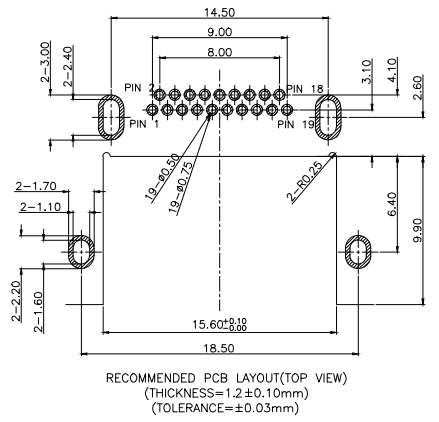
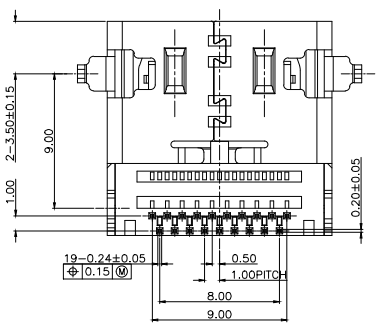
REV.	ECN NO OR DESCRIPTION	REVISED	DATE
A	PDR RELEASE	EVEN	2022.07.11



3D VIEW



DETAIL A SCALE 5:1



- SPECIFICATIONS: (HDMI A TYPE)
- ELECTRICAL CHARACTERISTICS:
    - CURRENT RATING: 0.5 AMP.
    - VOLTAGE RATING: 40V.
    - INITIAL CONTACT RESISTANCE EXCLUDING CONDUCTOR RESISTANCE: 10mΩ MAX. (TARGET DESIGN VALUE). AFTER TEST: Δ30mΩ MAX.
    - INSULATION RESISTANCE: 100MΩ MIN. @ 500V DC.
    - DIELECTRIC WITHSTANDING VOLTAGE: 500V AC FOR 1 MINUTE.
  - MECHANICAL CHARACTERISTICS:
    - INSERTION FORCE: 4.5Kgf MAX.
    - WITHDRAWAL FORCE: 1.0~4.0Kgf.
  - LIFE TEST: 10,000 CYCLES.
  - OTHER GENERAL SPEC. TO REFER "HDMI SERIES SPEC".
  - TO CONFORM TO THE SINGATRON HAZARDOUS SUBSTANCE FREE SPEC.
  - HALOGEN FREE PRODUCT IDENTIFICATION LABEL ON PACKAGING:
  - PACKAGE: SEE "2HE1819-000111F" PACKAGE.
  - FOR REFLOW SOLDERING LEAD-FREE PROCESS.



PART NO.  
2HE1819-000111F

- SUFFIX: HALOGEN FREE
- PACKAGE: 1: TAPE AND REEL
- HOUSING COLOR: 1: BLACK
- CONTACT PLATING: 1: GOLD FLASH(1~3u") ON CONTACT AREA, MATTE TIN 60u"~150u" ON SOLDER AREA. 50u" MIN. NI UNDER PLATING OVERALL

HDMI TYPE A PIN ASSIGNMENT

PIN	Signal Assignment
1	TMDS Data2+
2	TMDS Data2 Shield
3	TMDS Data2-
4	TMDS Data1+
5	TMDS Data1 Shield
6	TMDS Data1-
7	TMDS Data0+
8	TMDS Data0 Shield
9	TMDS Data0-
10	TMDS Clock+
11	TMDS Clock Shield
12	TMDS Clock-
13	CEC
14	Utility
15	SCL
16	SDA
17	DDC/CEC Ground
18	+5V Power
19	Hot Plug Detect

C	CONTACT	19	C2680-H	SEE PART NO.
B	SHELL	1	SUS304	50u" MIN.NICKEL
A	HOUSING	1	LCP UL 94V-0	BLACK
NO	DESCRIPTION	QTY	MATERIAL	PLATING & COLOR

UNLESS OTHERWISE SPECIFIED TOLERANCES

DECIMALS:	ANGLES:	TITLE	HDMI TYPE A FEMALE REVERSE DIP TYPE (HDMI 2.1)	
X :±0.5	X :±2°	DWN	EVEN 2022.07.11	PART NO. 2HE1819-000111F
X.X :±0.3	X.X :±1°	CHKD	SCALE:1:1	UNIT: mm
X.XX :±0.2		APVD	ANGELA2022.07.11	SIZE: A3 SHEET:1 OF 1 REV:A
CUSTOMER COPY				