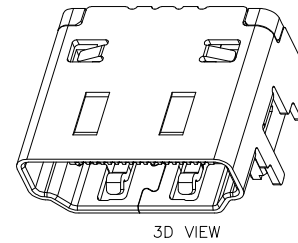
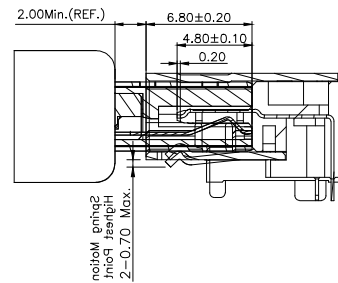
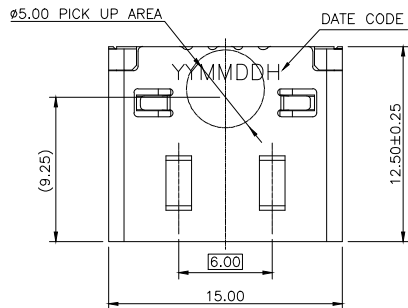
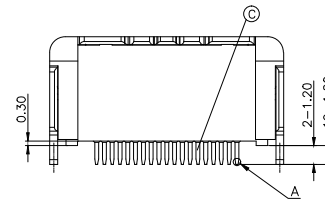
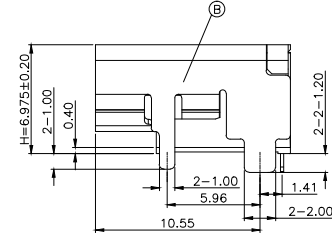
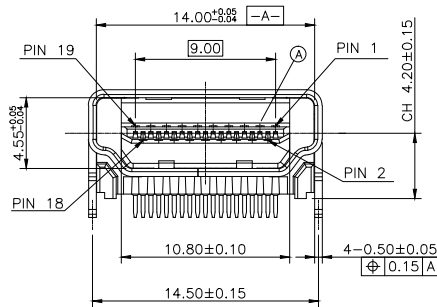


REV.	ECN NO OR DESCRIPTION	REVISED	DATE
A	PDR RELEASE	EVEN	2022.09.22

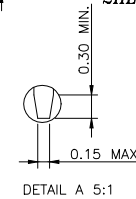


SPECIFICATIONS: (HDMI A TYPE)

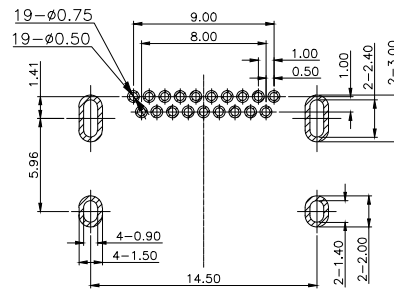
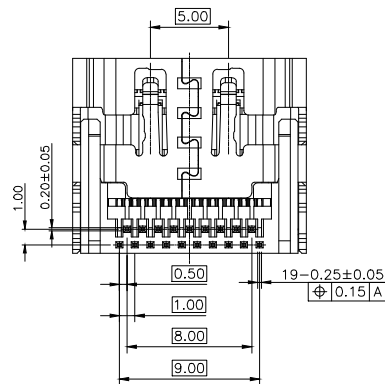
- ELECTRICAL CHARACTERISTICS:**
 - CURRENT RATING: 0.5 AMP.
 - VOLTAGE RATING: 40V.
 - INITIAL CONTACT RESISTANCE EXCLUDING CONDUCTOR RESISTANCE: 10mΩ MAX. (TARGET DESIGN VALUE), AFTER TEST: Δ30mΩ MAX.
 - INSULATION RESISTANCE: 100MΩ MIN. @ 500V DC.
 - DIELECTRIC WITHSTANDING VOLTAGE: 500V AC FOR 1 MINUTE.
- MECHANICAL CHARACTERISTICS:**
 - INSERTION FORCE: 4.5Kgf MAX.
 - WITHDRAWAL FORCE: 1.0~4.0Kgf.
- LIFE TEST: 10,000 CYCLES.**
- OTHER GENERAL SPEC. TO REFER "2HE1820-000111F SPEC".**
- TO CONFORM TO THE SINGATRON HAZARDOUS SUBSTANCE FREE SPEC.**
- HALOGEN FREE PRODUCT IDENTIFICATION LABEL ON PACKAGING:**
- PACKAGE: SEE "2HE1820-000111F" PACKAGE.**
- FOR REFLOW SOLDERING LEAD-FREE PROCESS.**



PART NO.
2HE1820-000111F



- SUFFIX: HALOGEN FREE
- PACKAGE: 1: TAPE AND REEL
- HOUSING COLOR: 1: BLACK
- CONTACT PLATING: 1: GOLD 3u" ON CONTACT AREA, MATTE TIN 75u" MIN. ON SOLDER AREA, 50u" MIN. NI UNDER PLATING OVERALL



RECOMMENDED PCB LAYOUT(TOP VIEW)
(DEFAULT DIMENSION TOL=±0.05mm)

HDMI TYPE A PIN ASSIGNMENT

PIN	Signal Assignment
1	TMDS Data2+
2	TMDS Data2 Shield
3	TMDS Data2-
4	TMDS Data1+
5	TMDS Data1 Shield
6	TMDS Data1-
7	TMDS Data0+
8	TMDS Data0 Shield
9	TMDS Data0-
10	TMDS Clock+
11	TMDS Clock Shield
12	TMDS Clock-
13	CEC
14	Utility
15	SCL
16	SDA
17	DDC/CEC Ground
18	+5V Power
19	Hot Plug Detect

	C	CONTACT	19	C2680-H	SEE PART NO.
5					50u" MIN. BLACK NICKEL MATTE TIN 50u" MIN ON SOLDER AREA
6	B	SHELL	1	SUS304	BLACK
8	A	HOUSING	1	LCP UL 94V-0	BLACK
9	NO	DESCRIPTION	QTY	MATERIAL	PLATING & COLOR
11	UNLESS OTHERWISE SPECIFIED TOLERANCES				
12	信音科技(香港)有限公司				
13	DECIMALS: ANGLES:				
14	TITLE: HDMI TYPE A FEMALE DIP TYPE(HDMI 2.1)				
15	X	±0.5	X	±2°	
16	X.X	±0.3	X.X	±1°	
17	X.XX	±0.2			
18	DWN EVEN 2022.09.22 PART NO. 2HE1820-000111F				
19	CHKD	SCALE 1:1	UNIT: mm	APVD ANGELA 2022.09.22 SIZE: A3 SHEET: 1 OF 1 REV: A	
CUSTOMER COPY					