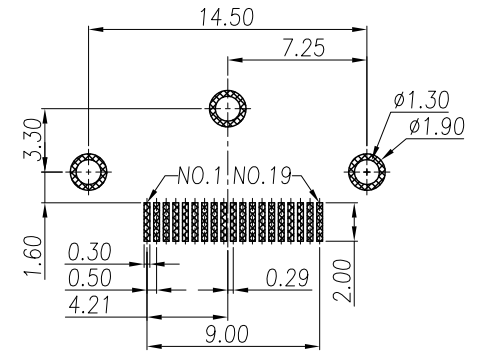
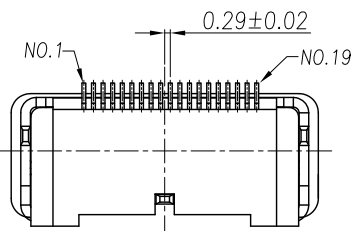
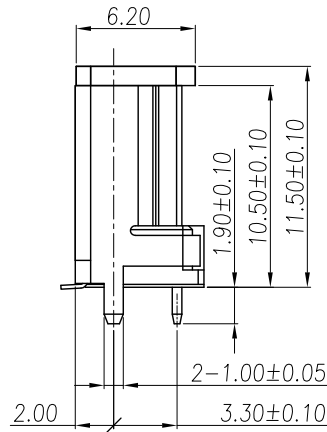
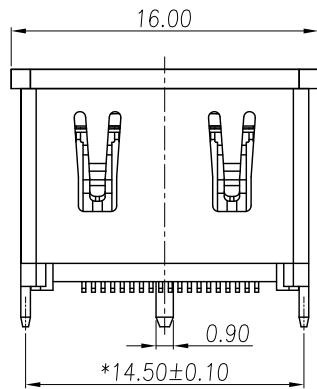


SECTION A-A
SCALE 1:1



RECOMMENDED P.C.B. LAYOUT(T=1.6mm)
TOLERANCES UNLESS OTHERWISE SPEC.±0.05

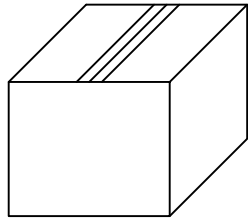
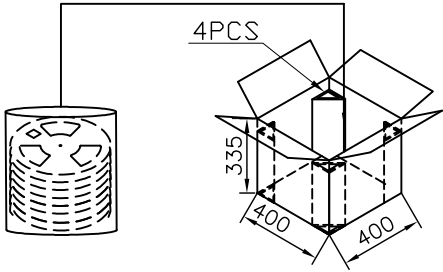
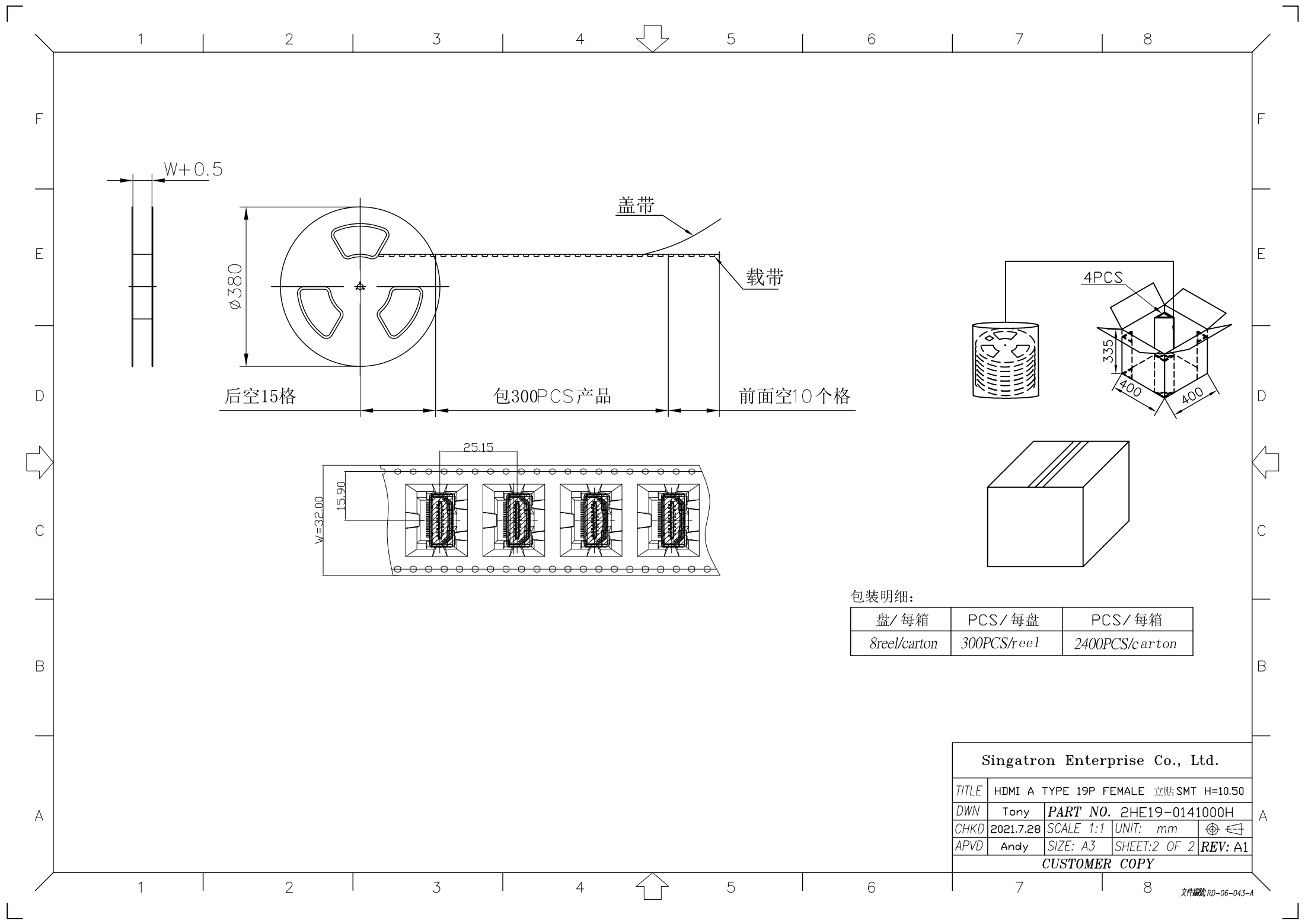


NOTES:

- 1.ELECTRONIC:
CONTACT RESISTANCE: 20mohm MAX
INSULATION RESISTANCE: 1000 Mohm MIN
WITHSTAND VOLTAGE:AC 500V,1min.
- 2.MECHANICAL:
DURABILITY: 10000 CYCLE.
- 3.ENVIRONMENT CHARACTERISTICS:
OPERING TEMPERATURE:-25°C TO +85°C
- 4.RECOMMANDER PCB THICKNESS 1.2 TO 1.60MM

3	SHELL	1	C2680R-H/SPCC	NI PLATED
2	TERMINAL	19	COPPER ALLOY	AU/TIN PLATED
1	HOUSING	1	LCP	(UL94V-0) BLACK
No.	PART NAME	QTY	MATERIAL	REMARK

UNLESS OTHERWISE SPECIFIED TOLERANCES				Singatron Enterprise Co., Ltd.			
DECIMALS:				ANGLES:			
DIM	TOL	DIM	TOL	TITLE HDMI A TYPE 19P FEMALE 立贴SMT H=10.50			
X.	±0.50	X.	±2°	DWN	Tony	PART NO. 2HE19-0141000H	
X.X	±0.30	X.X	±1°	CHKD	2021.7.28	SCALE 1:1	UNIT: mm
X.XX	±0.20	X.XX	///	APVD	Andy	SIZE: A3	SHEET:1 OF 2
X.XXX	±0.10	X.XXX	///	REV: A1			
CUSTOMER COPY							



包装明细:

盘/每箱	PCS/每盘	PCS/每箱
8reel/carton	300PCS/reel	2400PCS/carton

Singatron Enterprise Co., Ltd.				
TITLE	HDMI A TYPE 19P FEMALE 立贴SMT H=10.50			
DWN	Tony	PART NO. 2HE19-0141000H		
CHKD	2021.7.28	SCALE 1:1	UNIT: mm	⊕ ↻
APVD	Andy	SIZE: A3	SHEET: 2 OF 2	REV: A1
CUSTOMER COPY				