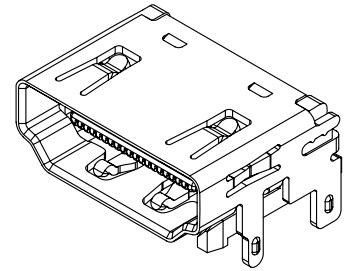
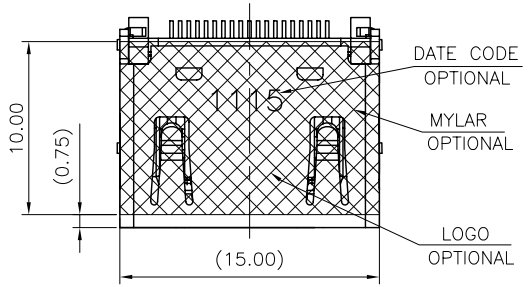


RoHS COMPLIANCE

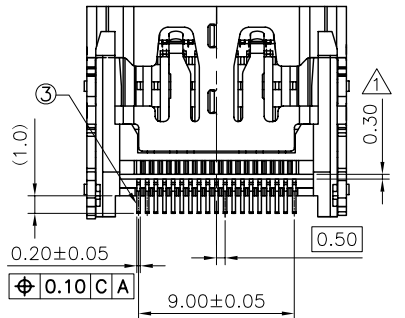
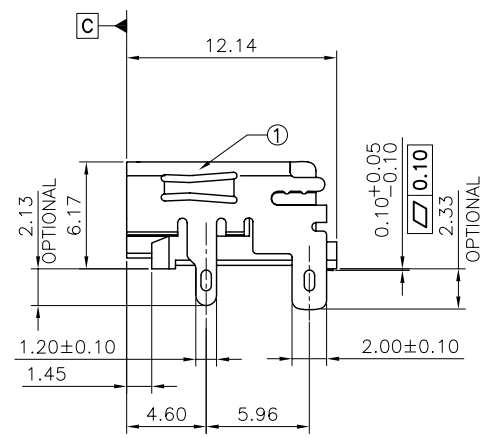
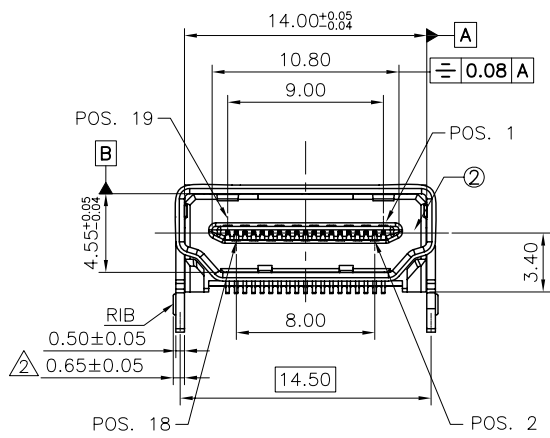
REV.	ZONE	LTR	DESCRIPTION	DATE	REVISER	APPD.
3.0	D1	2	CHANGE RIB HEIGHT AND CORRECT LAYOUT	5/9'12	Zane	Bill
4.0	C5	3	ADD SHELL PLATING SPEC	6/27'13	Guang	Rory



3D VIEW

ORDERING INFORMATION
 2HE239-3 * S1 N- ** R - * -IM
 (1) (2) (3) (4)(5) (6)(7) (8) (9) (10)

- SERIES NO.
2HE239: HDMI CONNECTOR SMT TYPE 19 POSITIONS SOCKET
- COLOR CODES
3: BLACK
- CONTACT PLATING:
0: GOLD FLASH OVER NICKEL
1: 10u" GOLD OVER NICKEL
2: 15u" GOLD OVER NICKEL
3: 30u" GOLD OVER NICKEL
7: 3u" GOLD OVER NICKEL
- SHELL CONSTRUCTION
S1: WITHOUT FLANGE AND WITH TOP SPRING
SOLDER TAIL IS THROUGH HOLE TYPE
- SHELL PLATING
N: NICKEL PLATED
4: GOLD FLASH PLATED OVER NICKEL
T: NICKEL PLATED OVER ALL, ONLY TIN PLATED OVER DIP FEET.
- LOGO OPTIONAL
B: WITHOUT FREEPORT LOGO
- SUFFIX NO.
NONE: W/O MYLAR AND SHELL WITH RIB
4: W/O MYLAR AND SHELL W/O RIB
FA: WITH MYLAR AND SHELL W/O RIB
F4: WITH MYLAR AND SHELL W/O RIB; DATE CODE PRINT ON SHELL
- PACKAGING
R: TAPE REEL PACKING NONE: PVC TRAY PACKAGE
- SHELL MATERIAL
B: SHELL MATERIAL IS BRASS S: SHELL MATERIAL IS SPCC
- SUFFIX NO3.
IM: INSERT MOLDING



11 15 WEEKS
 YEARS
 DATE CODE

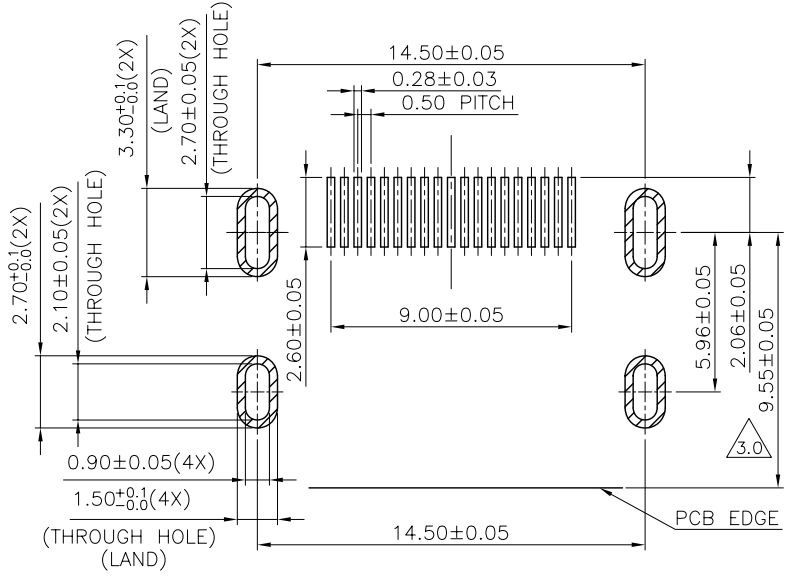
TOLERANCE UNSPECIFIED:

.000	± 0.15
.00	± 0.20
.0	± 0.30
.	± 0.50
ANGLE	± 2°

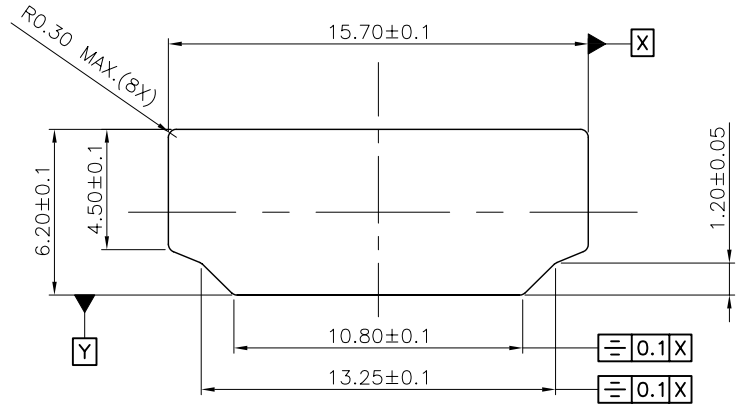
Singatron Enterprise Co., Ltd.			
TITLE HDMI TYPE A RECEPTALE CONNECTOR SMT TYPE			
DWN	Guang 6/27'13	PART NO. 2HE239-3*S1N- **R- *-IM	
CHKD	Rory 6/27'13	SCALE 1:1 UNIT: mm	
APVD	Daniel 6/27'13	SIZE: A3 SHEET: 1/2	REV: 4.0
CUSTOMER COPY			

RoHS COMPLIANCE

REV.	ZONE	LTR	DESCRIPTION	DATE	REVISER	APPD.
3.0	D1	②	CHANGE RIB HEIGHT AND CORRECT LAYOUT	5/9'12	Zane	Bill
4.0	C5	③	ADD SHELL PLATING SPEC	6/27'13	Guang	Rory



RECOMMENDED P.C.B. LAYOUT (T:1.20mm)
TOLERANCE UNSPECIFIED ±0.05mm



RECOMMENDED PANEL CUT OUT DIMENSION

SPECIFICATIONS:

1. MECHANICAL:
 - 1.1 INSERTION FORCE: 44.1N MAX.
 - 1.2 WITHDRAWAL FORCE: 9.8N MIN.
2. ELECTRICAL:
 - 2.1 CONTACT CURRENT RATING: 0.5A MIN.
 - 2.2 VOLTAGE RATING: 40V AC(RMS)
 - 2.3 WITHSTANDING VOLTAGE:
 - 500 VOLTS AC BETWEEN ADIACENT TERMINAL(UNMATE)
 - 300 VOLTS AC BETWEEN ADIACENT TERMINAL(MATE)
 - 2.4 INSULATION RESISTANCE:
 - 100 MOHM MIN.(UNMATED); 10 MOHM MIN.(MATED)
 - 2.5 CONTACT RESISTANCE: 30 MILLIOHMS MAX.
3. ENVIRONMENTAL:
 - 3.1 OPERATING TEMPERATURE: -25°C TO +85°C

19	COPPER ALLOY	CONTACT	③
1	THERMOPLASTIC UL94V-0	HOUSING	②
1	COPPER ALLOY	SHELL	①
QTY'S	SPECIFICATION	PART	ITEM

Singatron Enterprise Co., Ltd.

TOLERANCE UNSPECIFIED:

.000	± 0.15
.00	± 0.20
.0	± 0.30
.	± 0.50
ANGLE	± 2'

TITLE	HDMI TYPE A RECEPTALE CONNECTOR SMT TYPE		
DWN	Guang 6/27'13	PART NO.	2HE239-3*S1N-**R-*-IM
CHKD	Rory 6/27'13	SCALE	1:1 UNIT: mm
APVD	Daniel 6/27'13	SIZE:	A3 SHEET: 2/2 REV: 4.0

CUSTOMER COPY